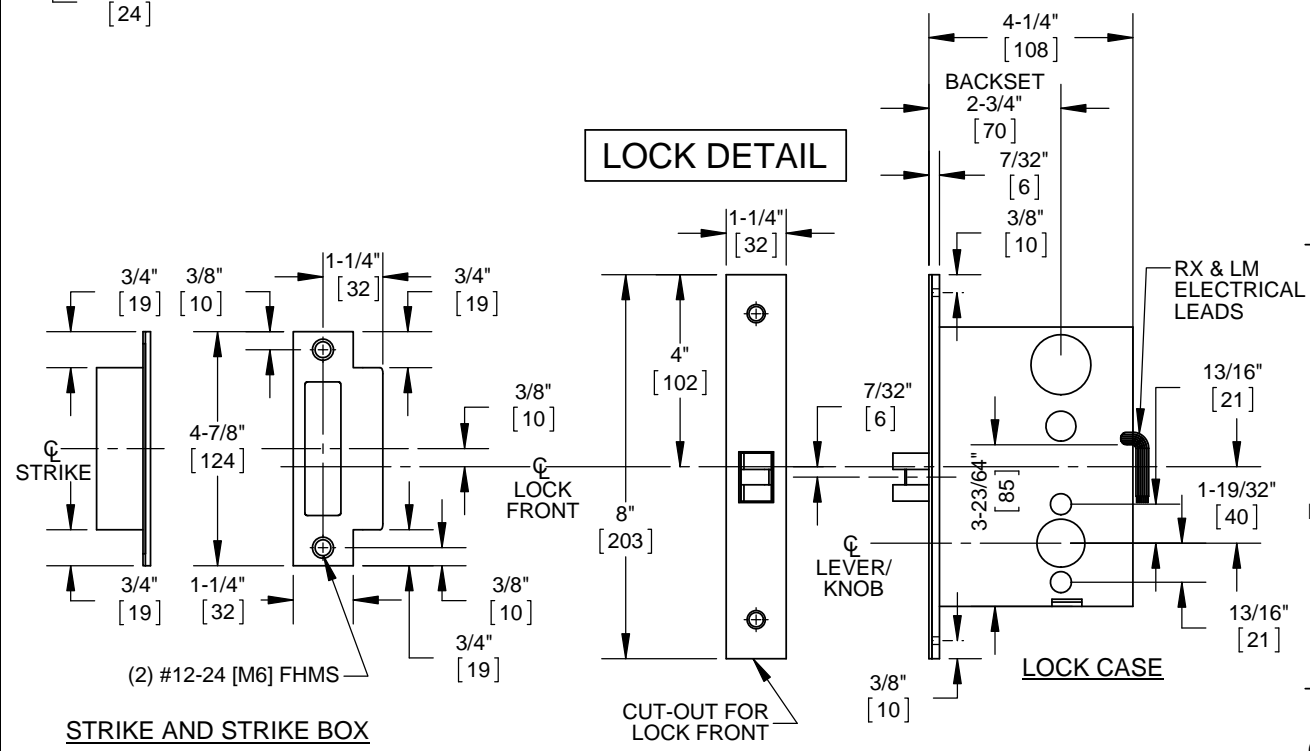
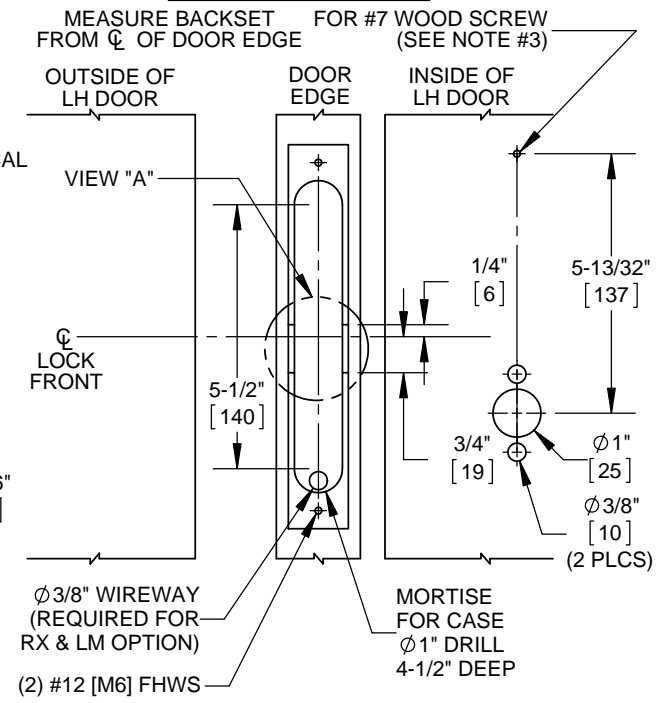


VIEW "A"

**LOCK DETAIL**



**DOOR DETAIL**



- NOTES:
1. DIMENSIONS ARE IN INCHES/[MM].
  2. DO NOT SCALE DRAWING.
  3. FOR TOP MOUNTING HOLE OF M ESCUTCHEON, USE TRIM TO LOCATE AND SECURE WITH SCREW PROVIDED.

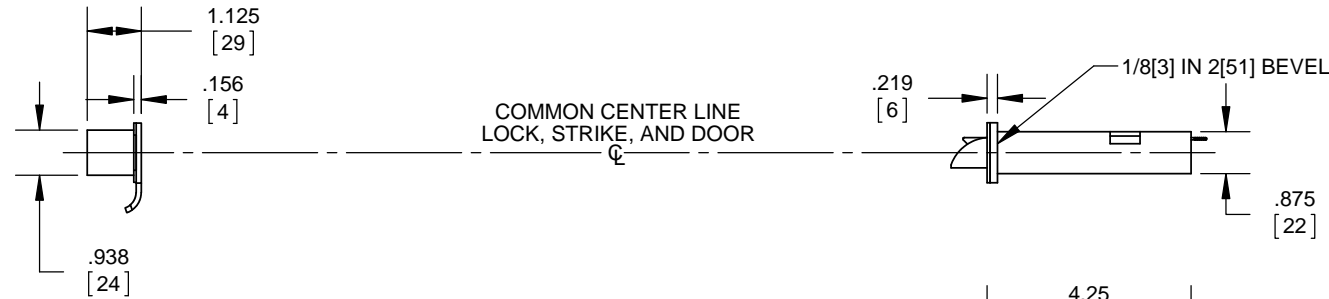
DOOR CUT-OUTS AS INDICATED UNDER DOOR DETAIL.  
FRAME FOR STRIKE SHOWN UNDER LOCK DETAIL.

**WOOD DOORS - A&B Rose Trim, M Escutcheon Trim**  
M9025, M9025RX, M9025LM, M9025RXLM

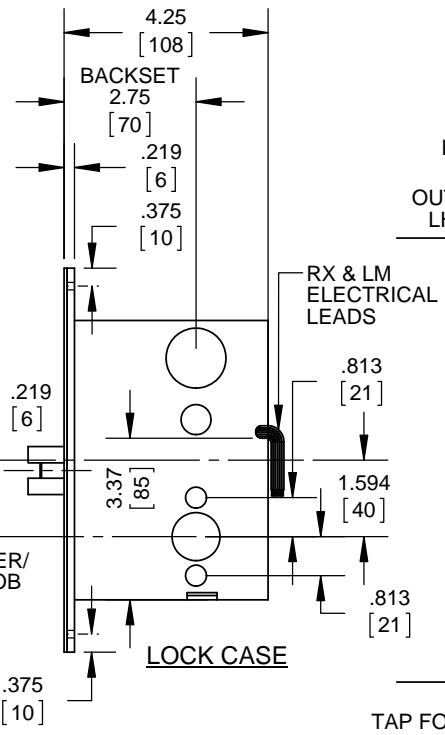
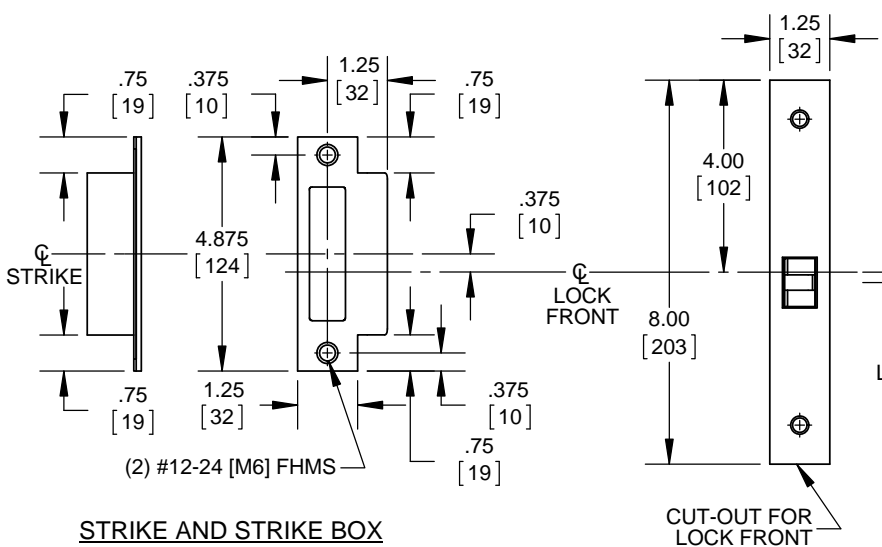
DORMA USA, Inc.  
Reamstown, PA 17567

Toll-Free: (800) 523-8483  
Facsimile: (800) 274-9724

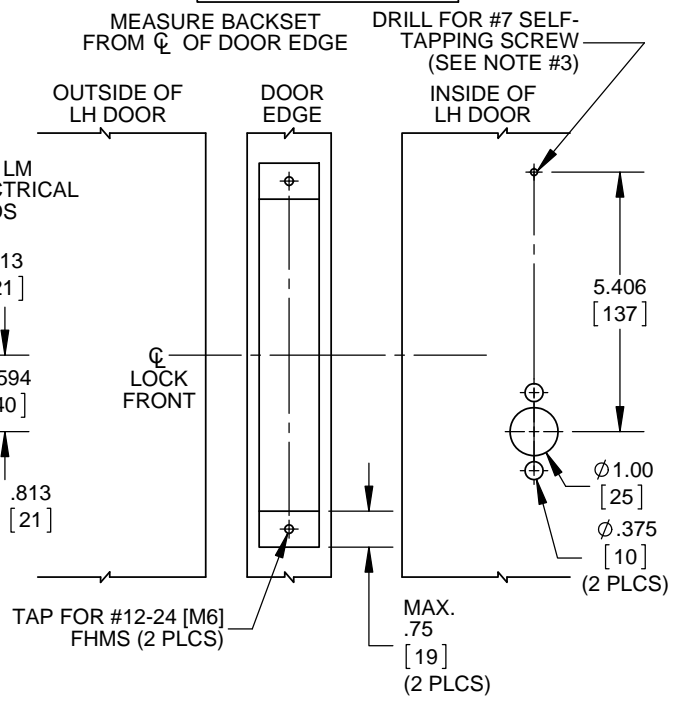
Always consult DORMA's web site for latest  
template at [www.dorma.com](http://www.dorma.com).



**LOCK DETAIL**



**DOOR DETAIL**



- NOTES:
1. DIMENSIONS ARE IN INCHES/[MM].
  2. DO NOT SCALE DRAWING.
  3. FOR TOP MOUNTING HOLE OF M ESCUTCHEON, USE TRIM TO LOCATE AND SECURE WITH SCREW PROVIDED.

DOOR CUT-OUTS AS INDICATED UNDER DOOR DETAIL. FRAME FOR STRIKE SHOWN UNDER LOCK DETAIL.

**STEEL DOORS - A&B Rose Trim, M Escutcheon Trim**  
 M9025, M9025RX, M9025LM, M9025RXLM

DORMA USA, Inc.  
 Reamstown, PA 17567

Toll-Free: (800) 523-8483  
 Facsimile: (800) 274-9724

Always consult DORMA's web site for latest template at [www.dorma.com](http://www.dorma.com).