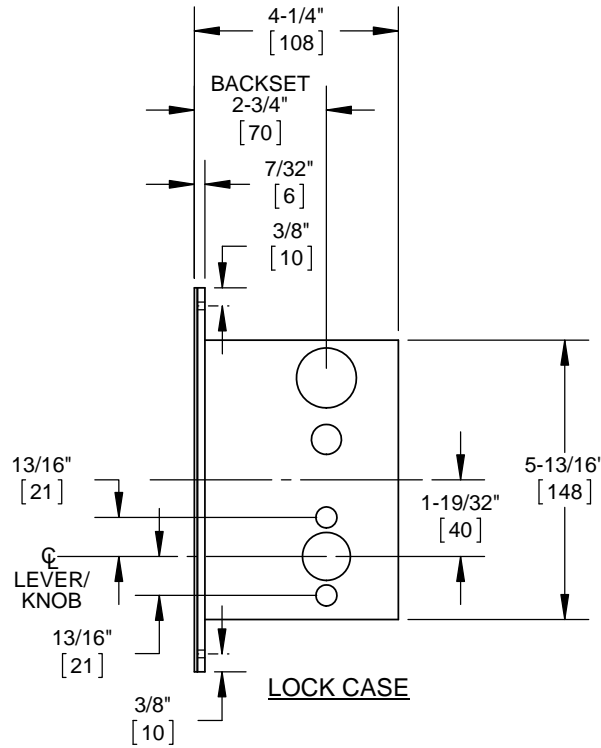
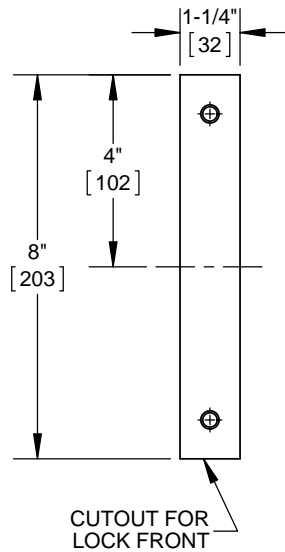
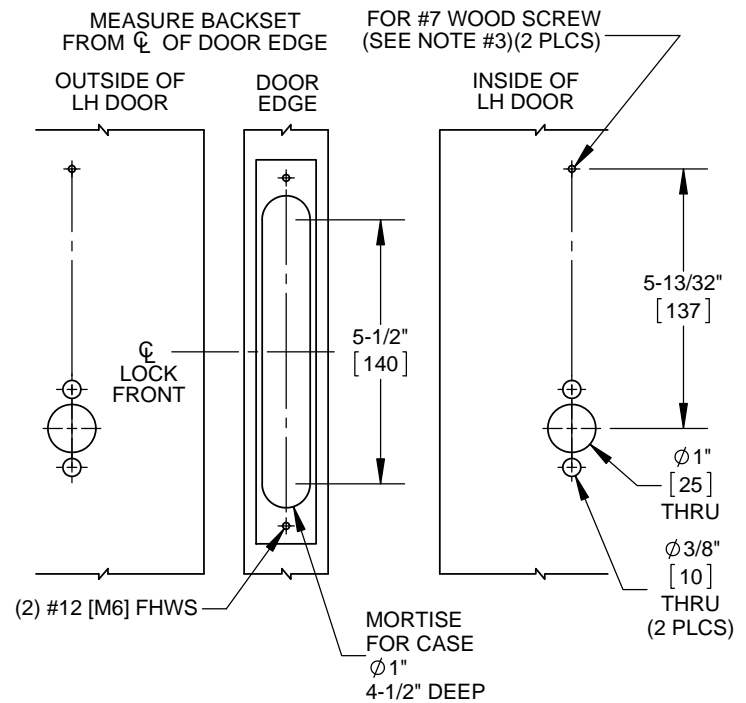


LOCK DETAIL



DOOR DETAIL



NOTES:

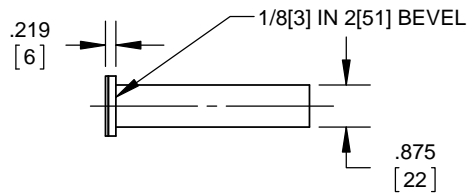
1. DIMENSIONS ARE IN INCHES/[MM].
2. DO NOT SCALE DRAWING.
3. FOR TOP MOUNTING HOLE OF M ESCUTCHEON, USE TRIM TO LOCATE AND SECURE WITH SCREW PROVIDED.

DOOR CUT-OUTS AS INDICATED UNDER DOOR DETAIL

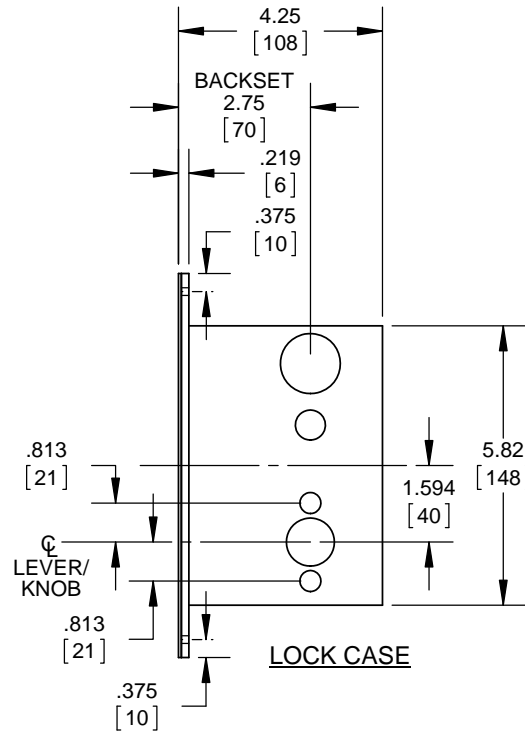
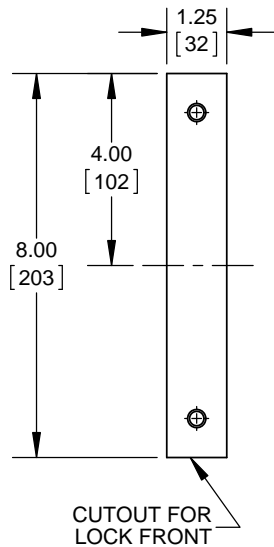
WOOD DOORS - A&B Rose Trim, M Escutcheon Trim
 M9004
 TRIM TWO SIDES



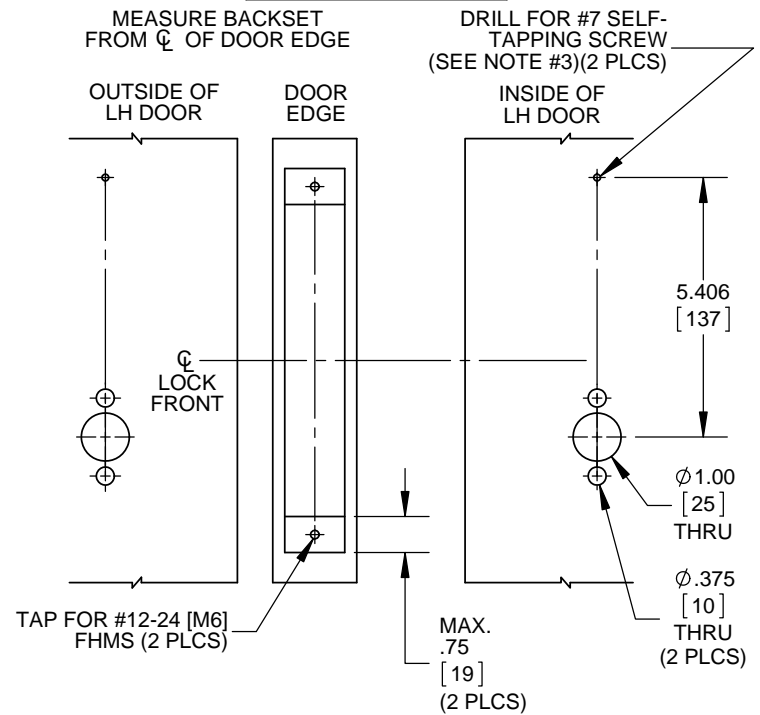
DORMA Architectural Hardware
 Reamstown, PA 17567



LOCK DETAIL



DOOR DETAIL



NOTES:

1. DIMENSIONS ARE IN INCHES/[MM].
2. DO NOT SCALE DRAWING.
3. FOR TOP MOUNTING HOLE OF M ESCUTCHEON, USE TRIM TO LOCATE AND SECURE WITH SCREW PROVIDED.

DOOR CUT-OUTS AS INDICATED UNDER DOOR DETAIL

STEEL DOORS - A&B Rose Trim, M Escutcheon Trim
M9004
TRIM TWO SIDES



DORMA Architectural Hardware
 Reamstown, PA 17567