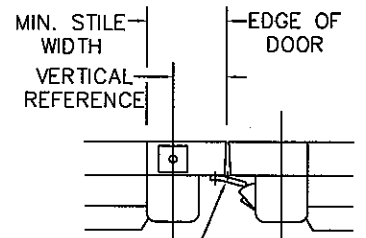
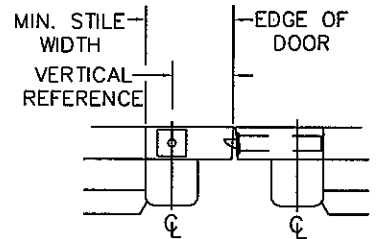
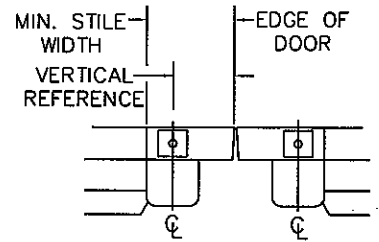
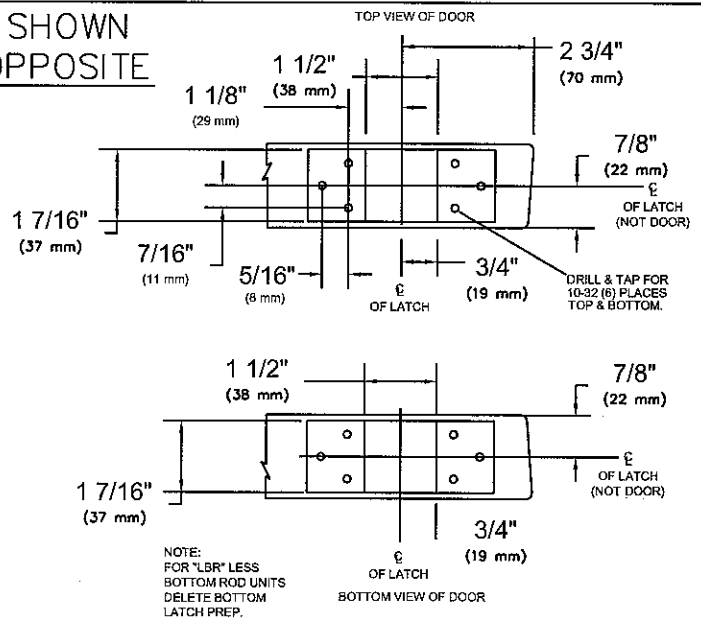
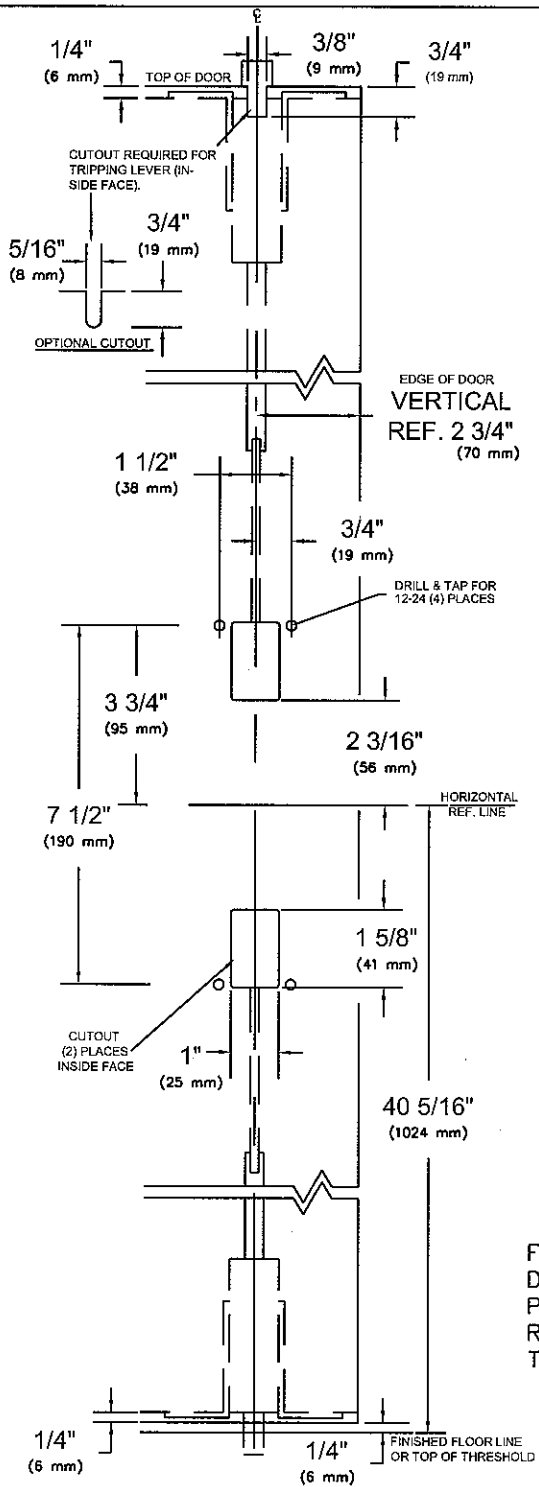


RHR SHOWN
LHR OPPOSITE



OVERLAP STRIKE

FOR 9300 SERIES MOUNTING LOCATION SEE APPROPRIATE 9300 TEMPLATES.

VERTICAL REFERENCE	MINIMUM STILE WIDTH
2 3/4" (70 mm)	4 3/16" (106 mm)

NOTES:

1. SEE ADDITIONAL TRIM TEMPLATE WHEN REQUIRED.
2. DEVICE WILL COVER STANDARD SDI CUTOUT.
3. FOR SEX NUTS USE 3/8" DRILL.

FOR LESS BOTTOM ROD (LBR) DEVICES, DELETE BOTTOM LATCH PREP. POPPER REQUIRED ON FIRE RATED DEVICE, SEE TEMPLATE T-4012.

REV. No. 2

REVISION: CHANGE DIMENSION

DATE: 8-1-00



9100 & F9100
VERTICAL ROD EXIT DEVICE

TEMPLATE NUMBER

T-9100 ②