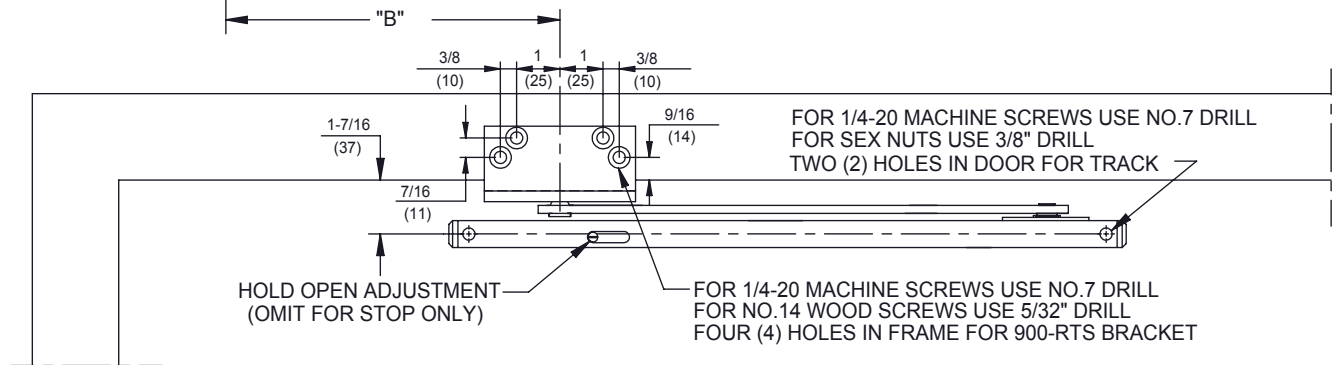
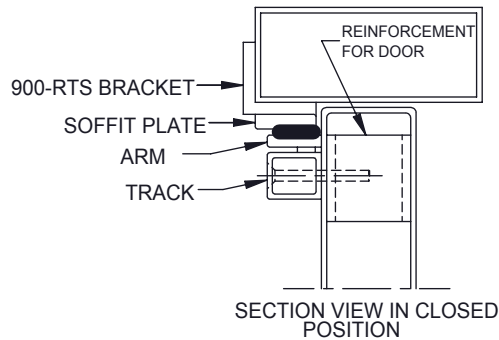
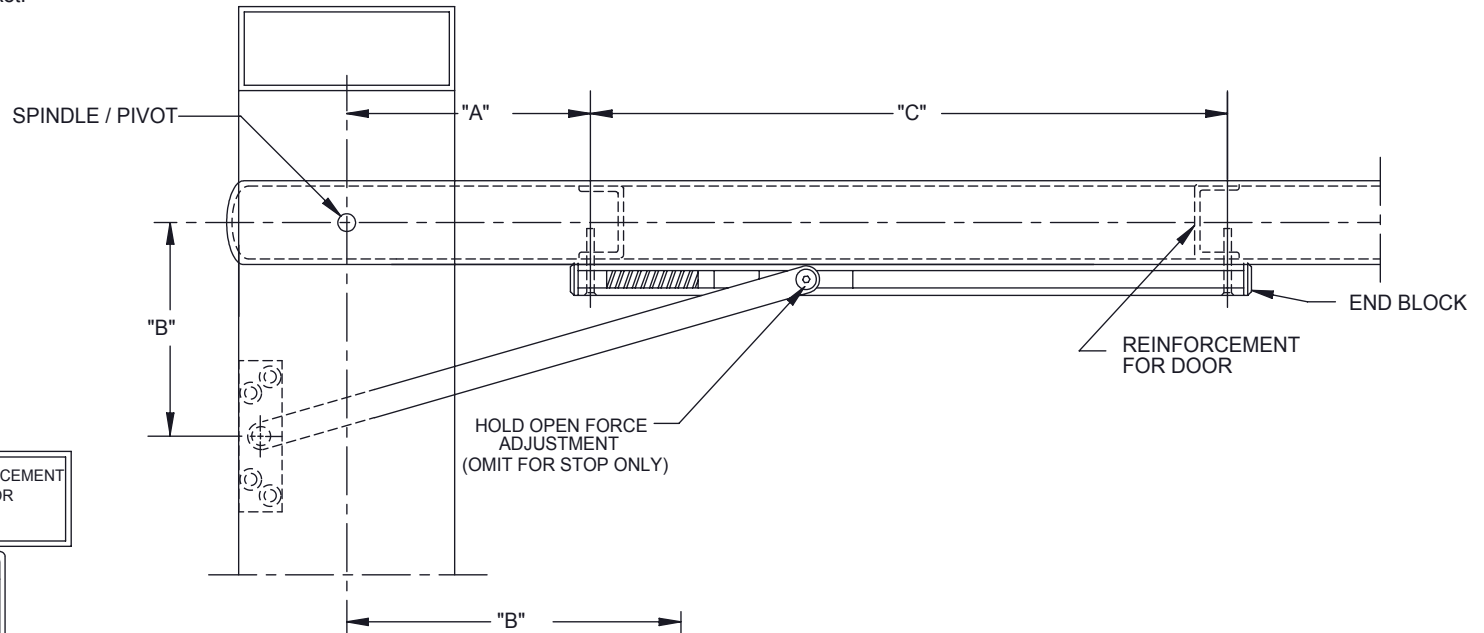
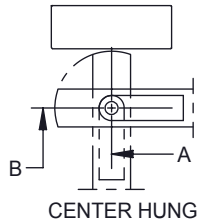


INSTALLATION INSTRUCTIONS:

1. Determine unit type: (S) DEAD STOP ONLY or (H) HOLD OPEN.
2. Determine degree of hold-open or dead stop required and select the "A", "B" and "C" dimensions from the opposite side of page.
3. Prepare door and frame according to the template found on this page.
4. Place end blocks into each end of track. Install track and arm assembly to door, making sure spring faces pivot.
5. Attach 900-RTS angle bracket to frame.
6. Attach soffit plate to 900-RTS angle bracket.

* ADDITIONAL INSTRUCTIONS (HOLD-OPEN UNITS):

7. Adjust hold-open to on or off position. One direction on-opposite direction off.
8. Adjust the holding force by inserting a 5/64" hex key into the slide shoe bolt. Turn right to increase and left to decrease holding force.
9. Open door until slide shoe engages with hold-open.
10. To release the door, pull until the slide shoe disengages.



NOTES:

1. DO NOT SCALE DRAWING.
2. DIMENSIONS ARE IN INCHES/(MM).
3. LEFT HAND DOOR SHOWN.

STOP AND HOLDER SERIES: 901H - 903H, 901S - 903S
HEAVY DUTY SURFACE APPLIED STOP/HOLD
PUSH SIDE MOUNT
CENTER HUNG, 900-RTS BRACKET



DORMA USA, Inc.
Reamstown, PA 17567

**900S, 900H SERIES
HEAVY DUTY SURFACE OVERHEAD STOP AND HOLDER**

UNIT	DEGREE OF OPENING	CENTER HUNG			DIM "C"	DEGREE OF OPENING	UNIT
		DOOR RANGE	DIM "A"	DIM "B"			
901 S	85° DEAD STOP ONLY	26 to 36	4-7/16	7	17-1/4	85° DEAD STOP ONLY	901 S
	90° DEAD STOP ONLY		3-15/16	7		90° DEAD STOP ONLY	
	95° DEAD STOP ONLY		3-7/16	7		95° DEAD STOP ONLY	
	100° DEAD STOP ONLY		3-9/16	6		100° DEAD STOP ONLY	
	105° DEAD STOP ONLY		3-3/16	6		105° DEAD STOP ONLY	
901 H	85° HOLD OPEN	26 to 36	3-7/8	7	17-1/4	85° HOLD OPEN	901 H
	90° HOLD OPEN		3-15/16	7		90° HOLD OPEN	
	95° HOLD OPEN		2-13/16	7		95° HOLD OPEN	
	100° HOLD OPEN		3	6		100° HOLD OPEN	
	105° HOLD OPEN		2-7/16	6		105° HOLD OPEN	
902 S	85° DEAD STOP ONLY	36-1/8 to 46	11-1/8	10	20-3/4	85° DEAD STOP ONLY	902 S
	90° DEAD STOP ONLY		10-5/16	10		90° DEAD STOP ONLY	
	95° DEAD STOP ONLY		9-9/16	10		95° DEAD STOP ONLY	
	100° DEAD STOP ONLY		9-7/16	9		100° DEAD STOP ONLY	
	105° DEAD STOP ONLY		8-13/16	9		105° DEAD STOP ONLY	
902 H	85° HOLD OPEN	36-1/8 to 46	8-5/8	9	20-3/4	85° HOLD OPEN	902 H
	90° HOLD OPEN		10-7/16	10		90° HOLD OPEN	
	95° HOLD OPEN		9-5/8	10		95° HOLD OPEN	
	100° HOLD OPEN		8-7/8	10		100° HOLD OPEN	
	105° HOLD OPEN		8-3/4	9		105° HOLD OPEN	
903 S	85° DEAD STOP ONLY	46-1/8 to 54	19-1/4	13-1/2	26	85° DEAD STOP ONLY	903 S
	90° DEAD STOP ONLY		18-1/8	13-1/2		90° DEAD STOP ONLY	
	95° DEAD STOP ONLY		17-1/8	13-1/2		95° DEAD STOP ONLY	
	100° DEAD STOP ONLY		17-3/4	12		100° DEAD STOP ONLY	
	105° DEAD STOP ONLY		17	12		105° DEAD STOP ONLY	
903 H	85° HOLD OPEN	46-1/8 to 54	14-1/2	13-1/2	26	85° HOLD OPEN	903 H
	90° HOLD OPEN		13-3/8	13-1/2		90° HOLD OPEN	
	95° HOLD OPEN		12-5/16	13-1/2		95° HOLD OPEN	
	100° HOLD OPEN		13	12		100° HOLD OPEN	
	105° HOLD OPEN		12-1/4	12		105° HOLD OPEN	

- a. CENTER HUNG are for 1-3/4" to 2-1/4" thick doors. For additional door thicknesses consult DORMA's Technical Services department.
- b. DEAD STOP is the maximum degree to which the door will open when the shock spring is fully compressed.
- c. HOLD OPEN is the degree the door is held open. The shock absorber spring compresses while the door moves to the dead stop position which is several degrees greater (approximately 8-9 degrees).
- d. All values are in inches.



DORMA USA, Inc.
Reamstown, PA 17567