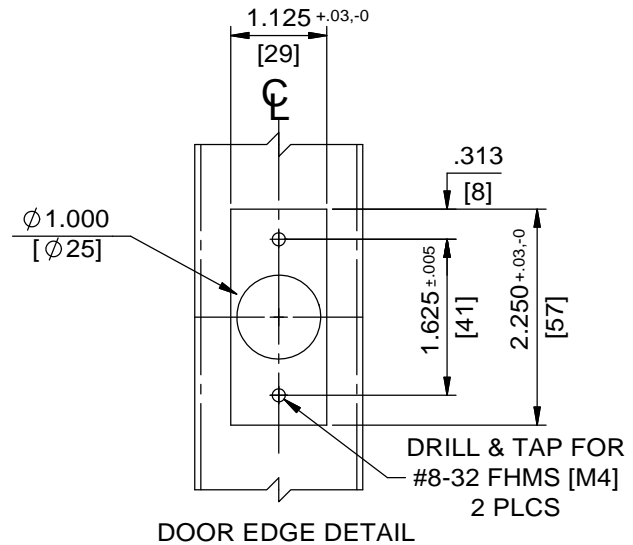
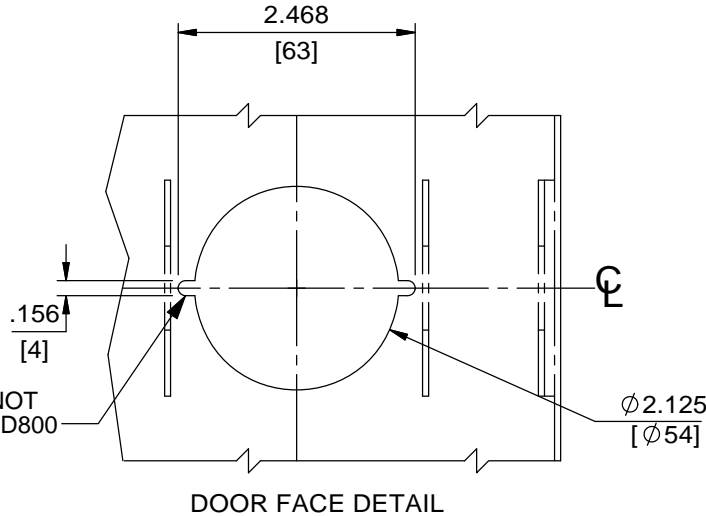
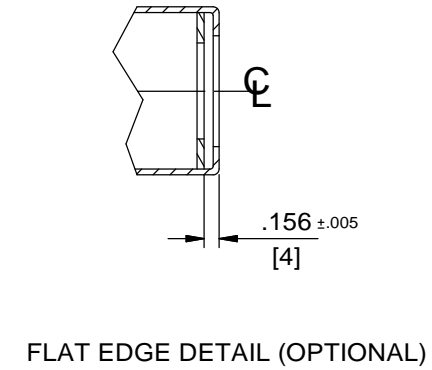
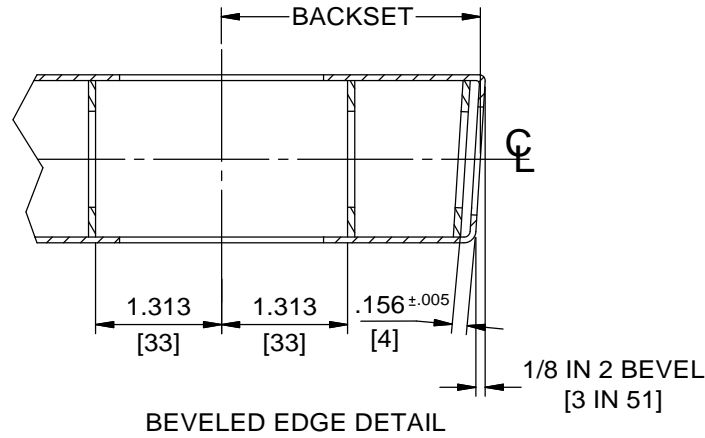


NOTES:

1. DIMENSIONS ARE IN INCHES/ [MM]
2. DO NOT SCALE DRAWING.



Metal Doors For:  
 C400, DB600, D800, CL600, CK600, CK700, CK800 Series  
 Face Plate 1-1/8" Flat or Beveled



DORMA Architectural Hardware  
 Reamstown, PA 17567