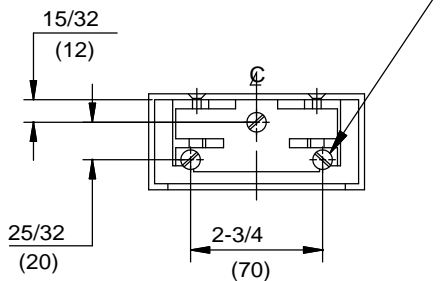


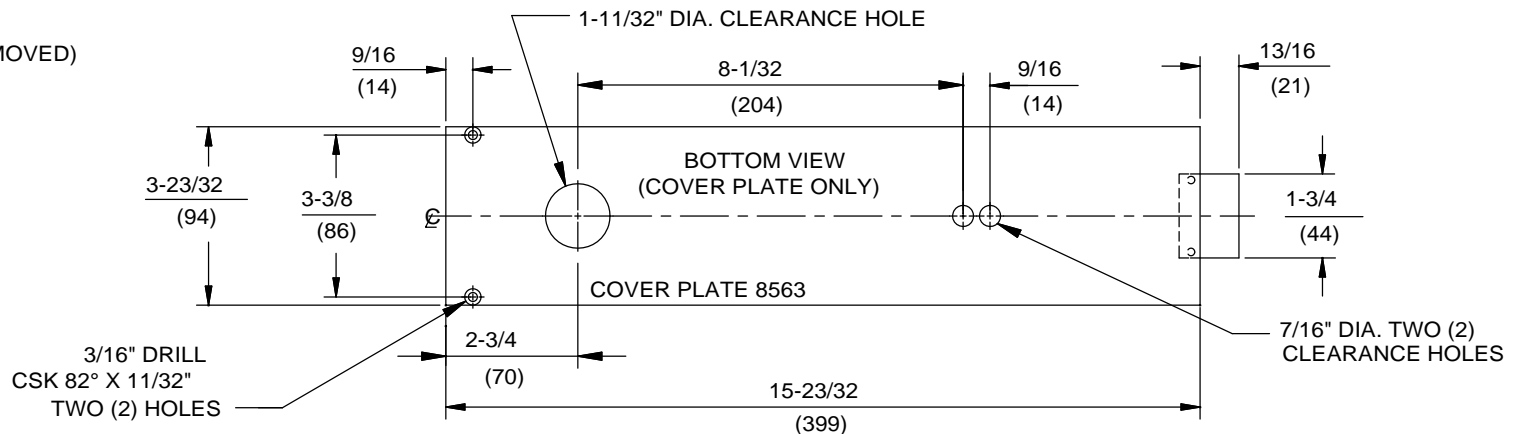
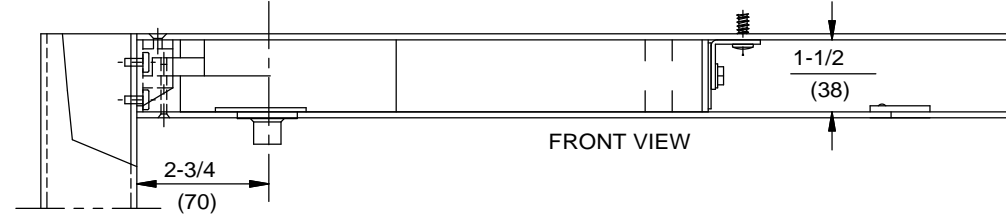
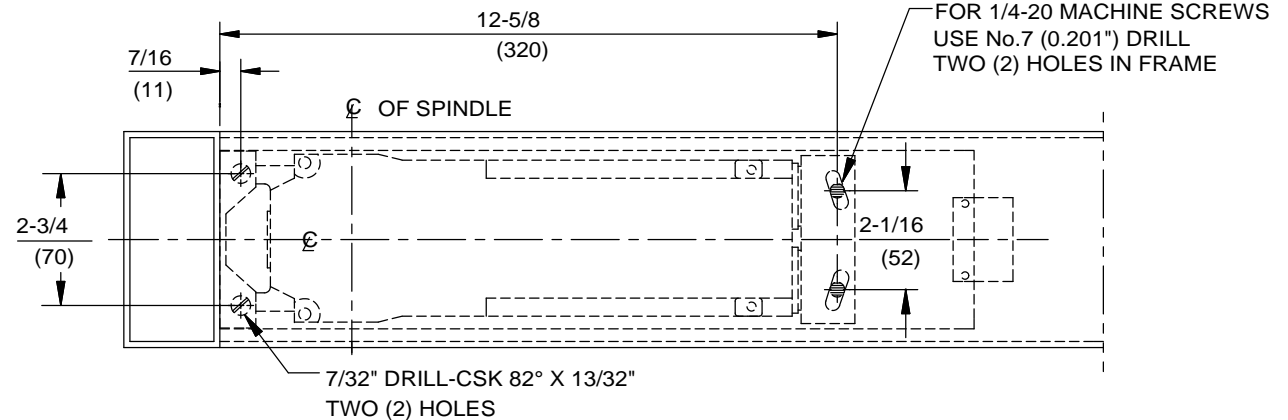
NOTE

1. MIN HEADER SIZE 1-3/4" X 4".
2. CUT OUT FOR COVER PLATE 3-3/4" X 15-3/4".
3. DO NOT SCALE DRAWING.
4. CLEARANCE BETWEEN HEADER AND DOOR 1/8".
5. AUXILIARY STOP REQUIRED COINCIDING WITH DEADSTOP ON RTS CLOSER.

FOR 8-32 MACHINE SCREWS USE No.29 (0.136") DRILL AND TAP THREE (3) HOLES



SIDE VIEW
(CLOSER BODY REMOVED)

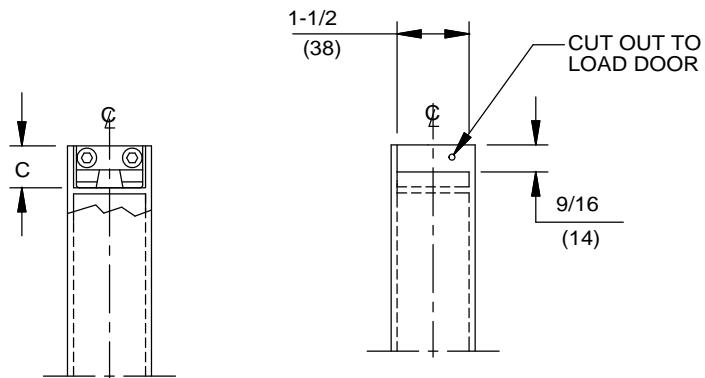
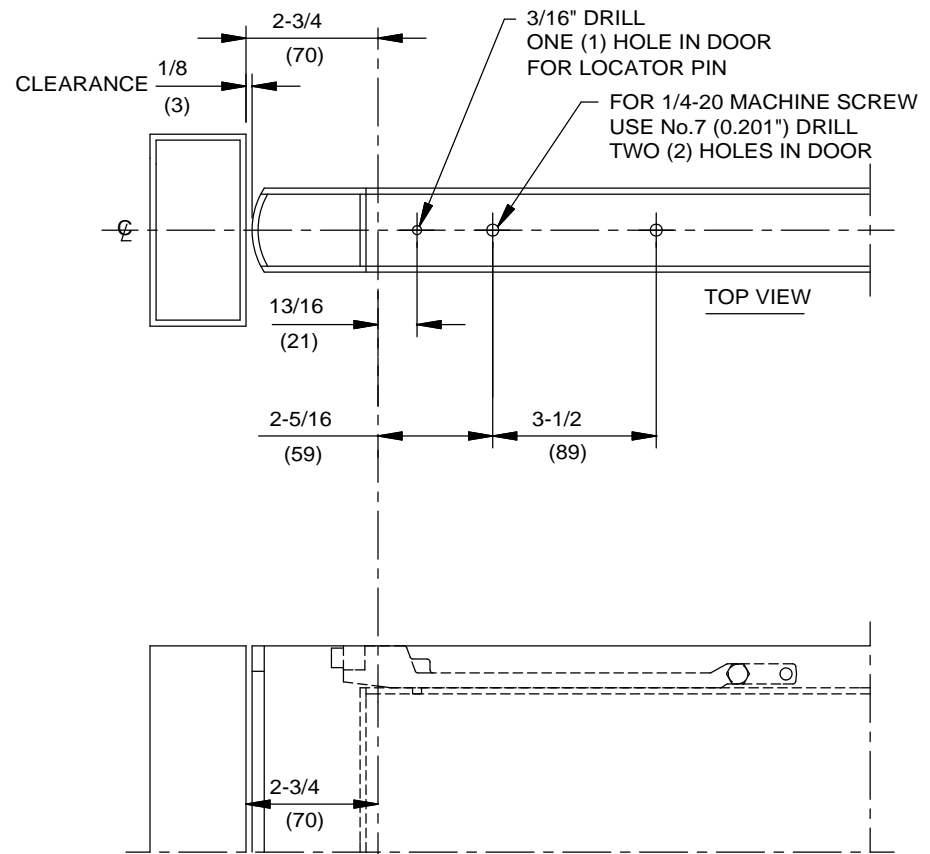


DOOR CLOSER MODEL: RTS SERIES END LOAD PACKAGES 07 THRU 22
ALUMINUM DOOR AND FRAME, CENTER PIVOTED
FRAME PREPARATION - WITH SLOTTED ANGLE BRACKET

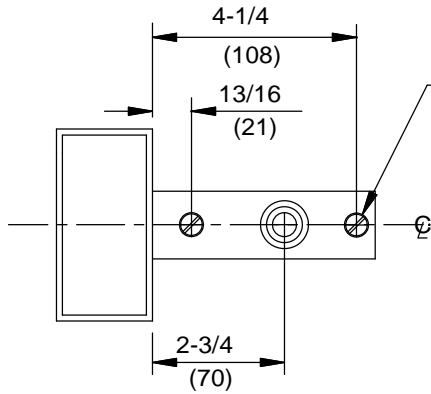


DORMA Architectural Hardware
Reamstown, PA 17567

ARM No.	DIM "C" RAIL DEPTH
8835	1"
8836	7/8"
8837	5/8"
8838	3/4"



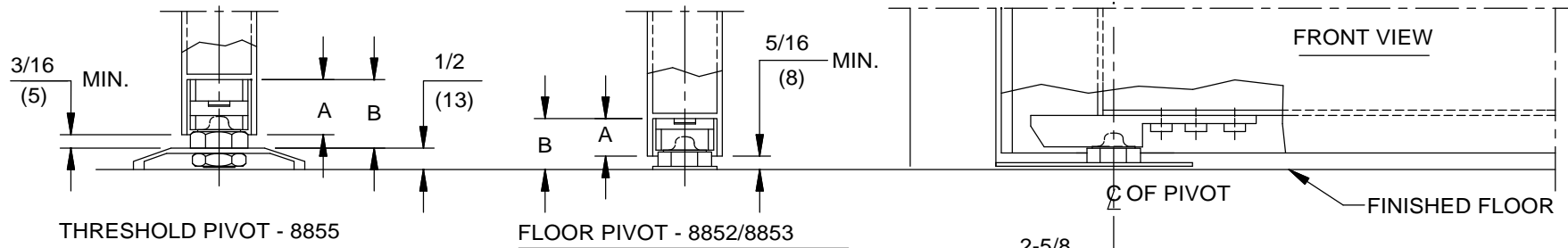
FLOOR PREPARATION - 8852/8853



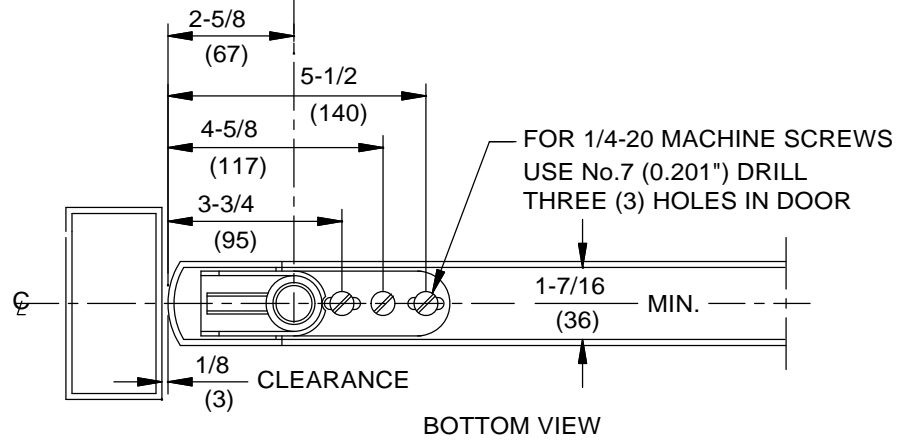
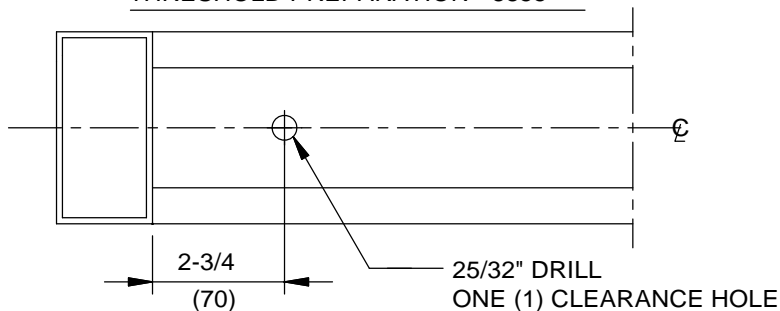
FOR WOOD FLOORS USE 1/8" DRILL
FOR PLASTIC ANCHORS USE 5/16" DRILL
TWO (2) HOLES IN FLOOR

PIVOT TYPE	DIM A WEB DEPTH	DIM B PIVOT HEIGHT	PIVOT No.
FLOOR PIVOT	7/8	1-3/16 - 1-7/16	8852
	1-9/16	1-7/8 - 2-1/8	8853
THRESHOLD PIVOT	7/8	1-1/16 - 1-5/16	8855

NOTE: ALL PIVOTS HAVE 1/4" HEIGHT ADJUSTMENT



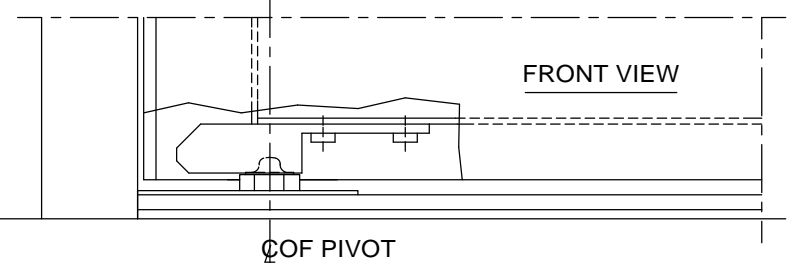
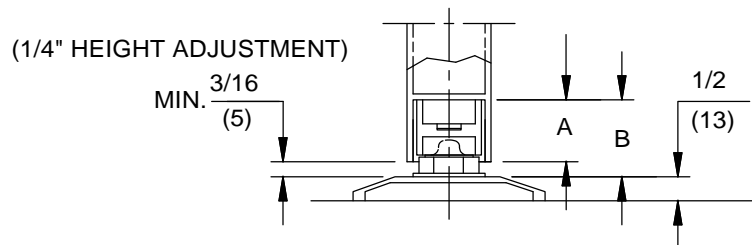
THRESHOLD PREPARATION - 8855



FLOOR PIVOT TYPES: 8852,8853,8855,8857, ALUMINUM
DOOR PREPARATION, CENTER PIVOTED 2-3/4" BACKSET
PIVOTS 8852,8853,8855

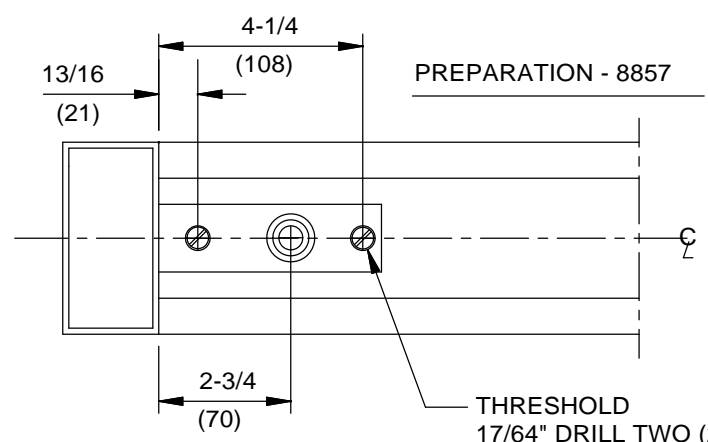
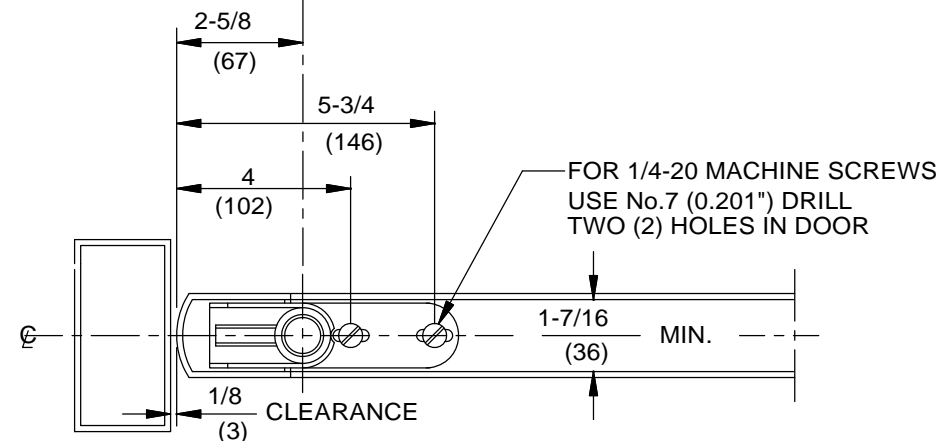


DORMA Architectural Hardware
Reamstown, PA 17567



PIVOT TYPE	DIM A WEB DEPTH	DIM B PIVOT HEIGHT	PIVOT No.
THRESHOLD PIVOT	1-9/16	1-3/4 - 2	8857

FINISHED FLOOR



17/64" DRILL TWO (2) CLEARANCE HOLES FLOOR
5/16" DRILL FOR PLASTIC ANCHOR
TWO (2) HOLES IN FLOOR

