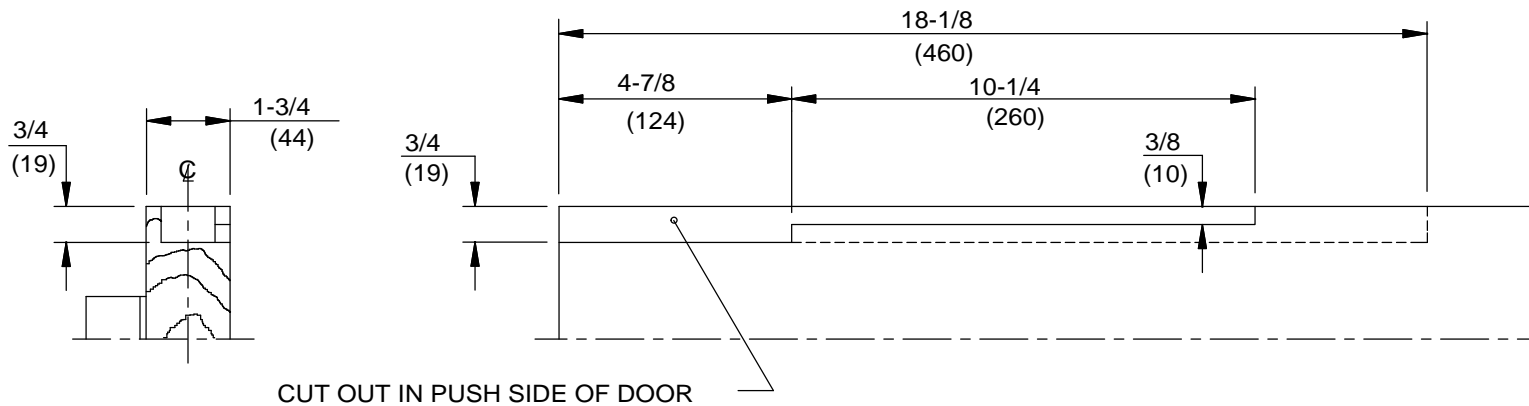
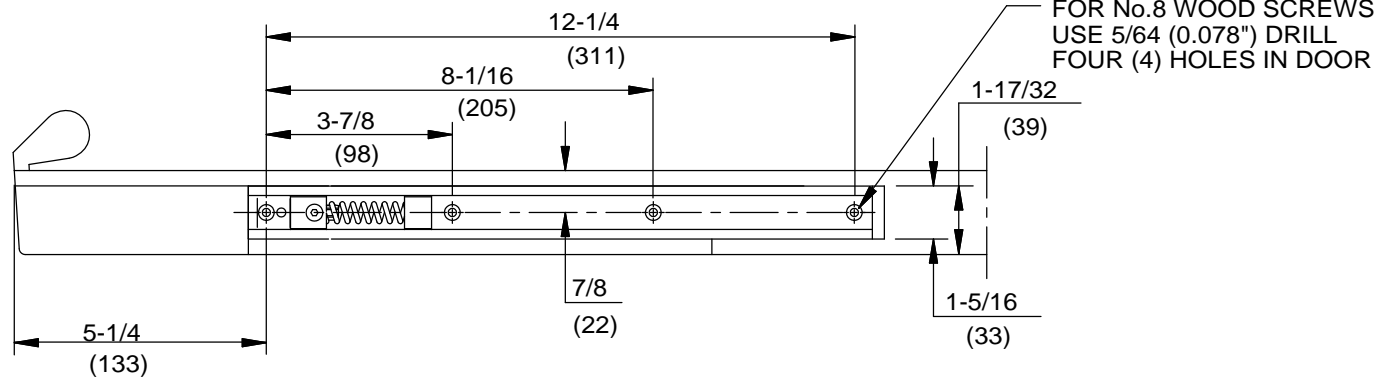
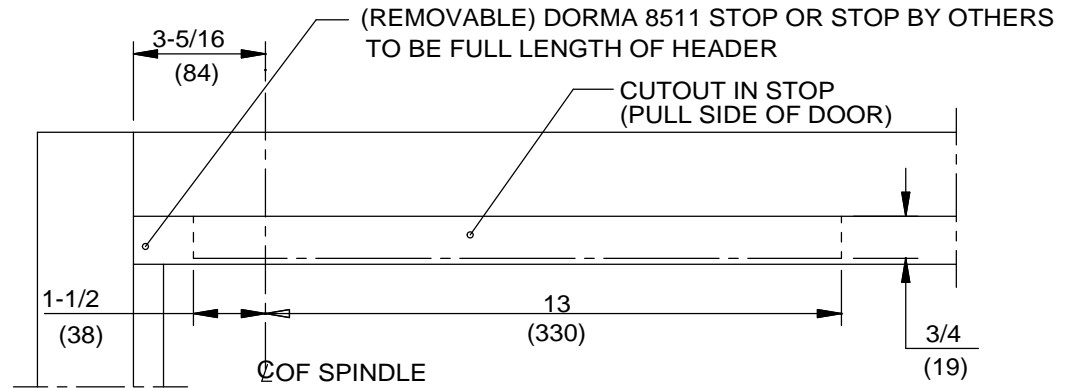
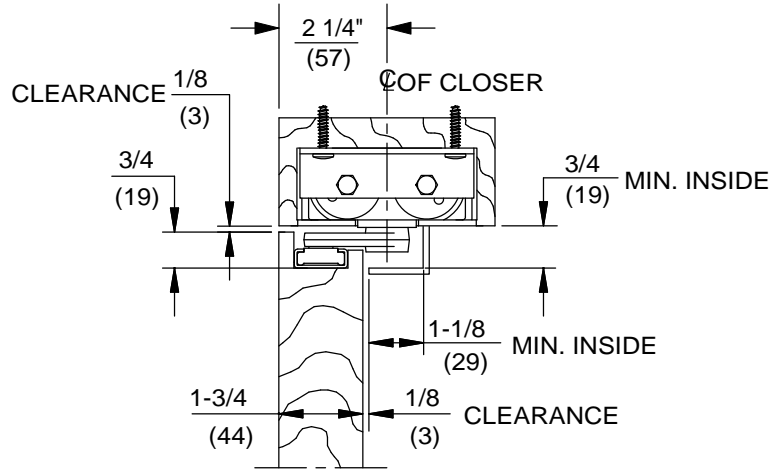


Always consult Dorma's web site for latest template at www.dorma-usa.com or call 1-800-523-8483.

DOOR CLOSER MODEL: RTS SERIES PACKAGE 29, WOOD DOOR AND FRAME
 PREPARATION, DOOR HUNG ON 3/4" OFFSET PIVOTS
 No. 8812 TRACK ARM, No. 8561 COVER PLATE



DORMA Door Controls
 Reamstown, PA 17567



Always consult Dorma's web site for latest template at www.dorma-usa.com or call 1-800-523-8483.



DORMA Door Controls
 Reamstown, PA 17567