

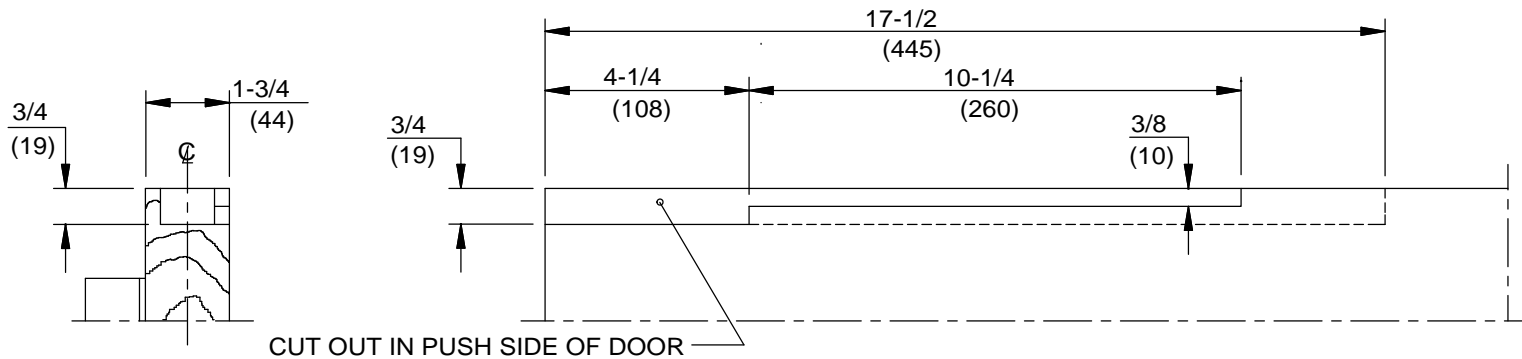
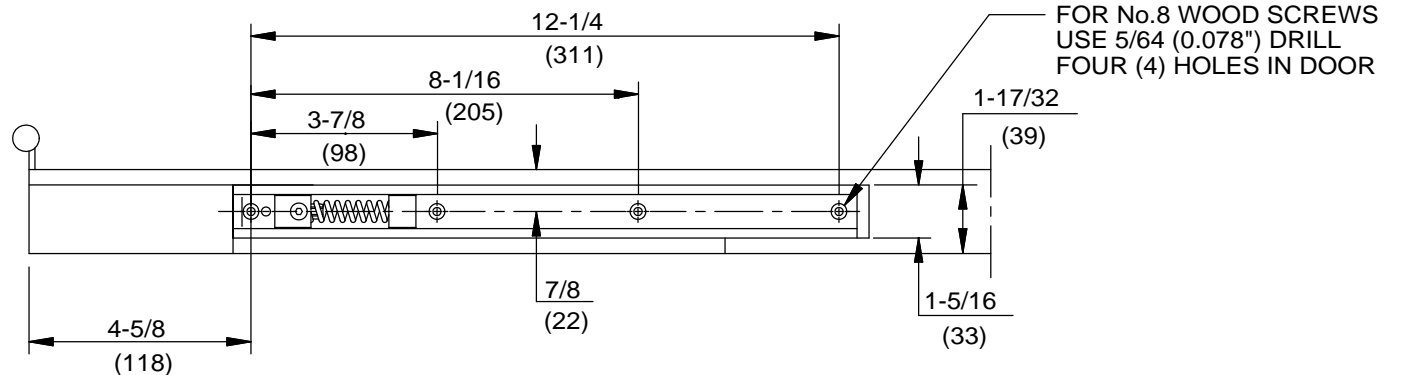
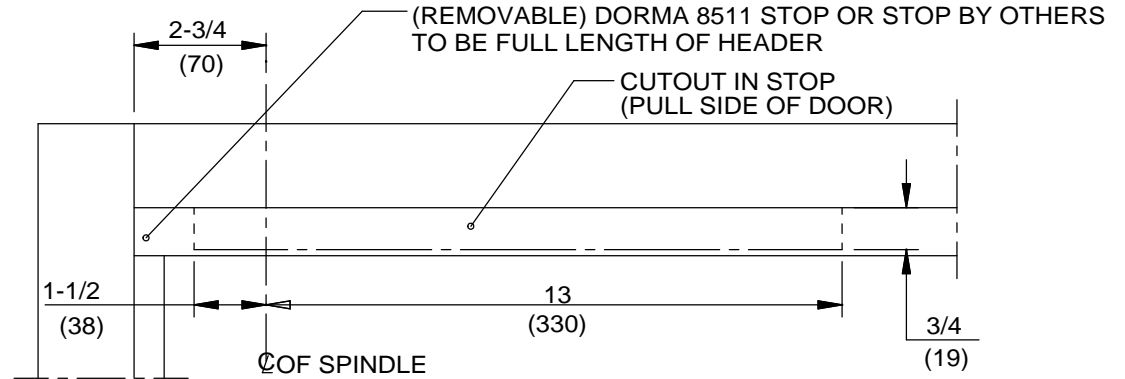
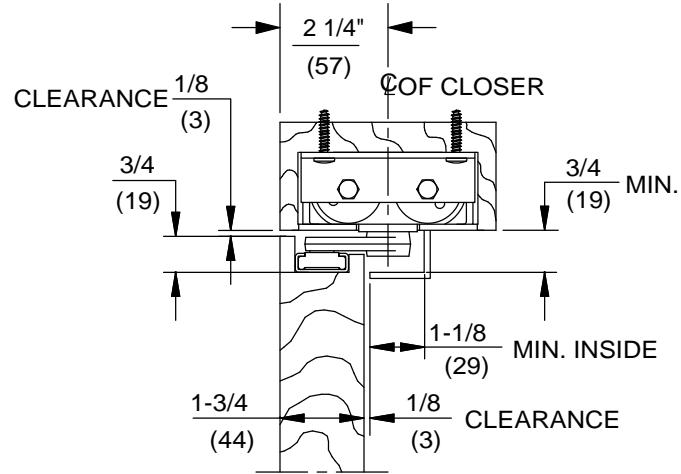
- NOTE:
1. MIN HEADER SIZE 2-1/4" X 4-1/2".
 2. CUT OUT FOR COVER PLATE 4" X 15-3/4".
 3. DO NOT SCALE DRAWING.
 4. DIMENSIONS ARE IN INCHES/(MM).
 5. CLEARANCE BETWEEN HEADER AND DOOR 1/8".
 6. 90°HO MODELS NOMINAL HOLD OPEN AT 88°.
105°HO MODELS NOMINAL HOLD OPEN AT 103°.
 7. AUXILIARY STOP REQUIRED COINCIDING WITH DEADSTOP ON RTS CLOSER.

Always consult Dorma's web site for latest template at www.dorma-usa.com or call 1-800-523-8483.

DOOR CLOSER MODEL: RTS SERIES PACKAGE 29, WOOD DOOR AND FRAME
 PREPARATION, DOOR HUNG ON 4-1/2" WIDE BUTT HINGES,
 No. 8812 TRACK ARM, No. 8561 COVER PLATE



DORMA Door Controls
 Reamstown, PA 17567



Always consult Dorma's web site for latest template at www.dorma-usa.com or call 1-800-523-8483.



DORMA Door Controls
 Reamstown, PA 17567