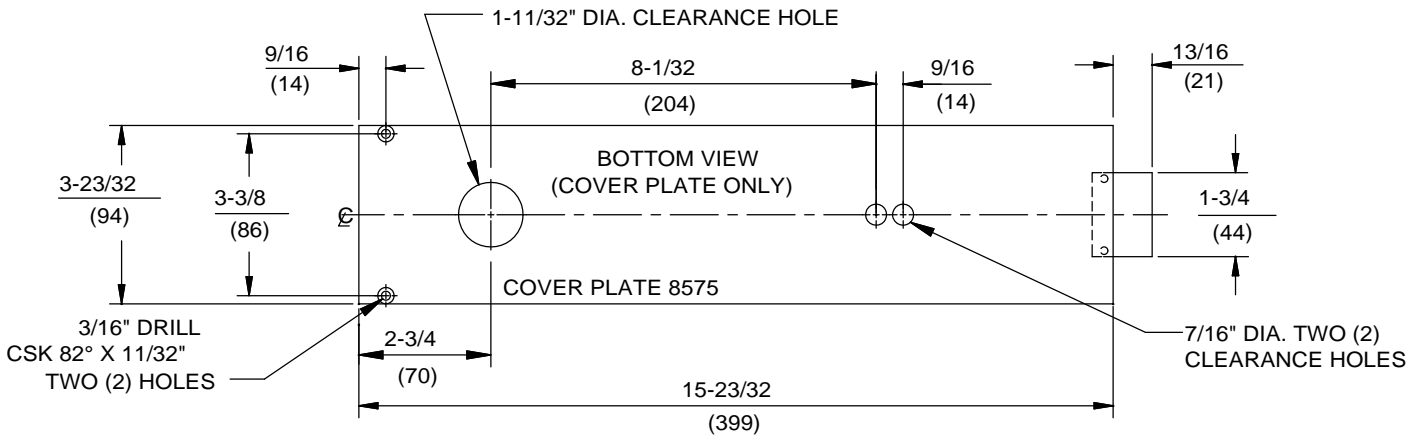
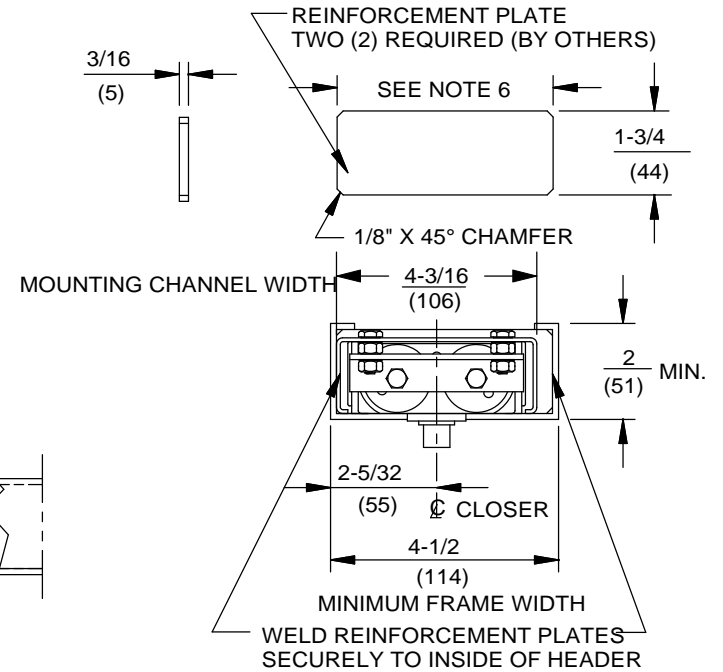
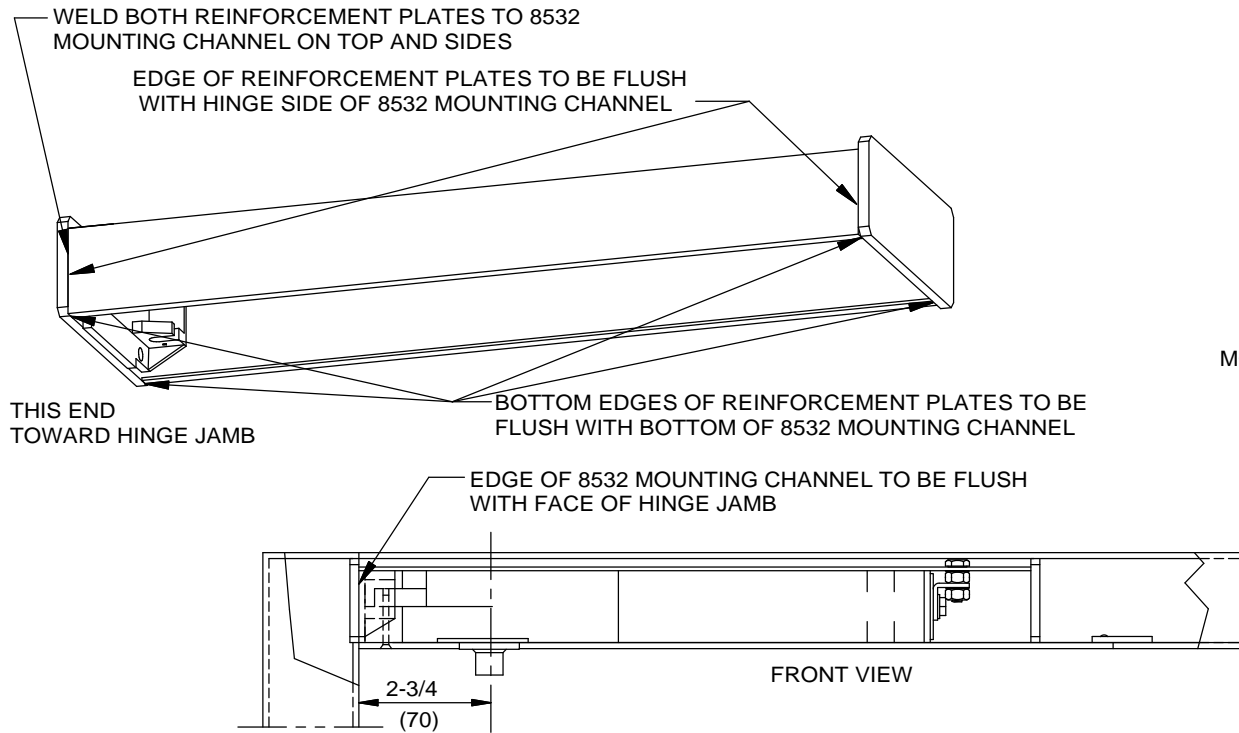


Always consult Dorma's web site for latest template at www.dorma-usa.com or call 1-800-523-8483.

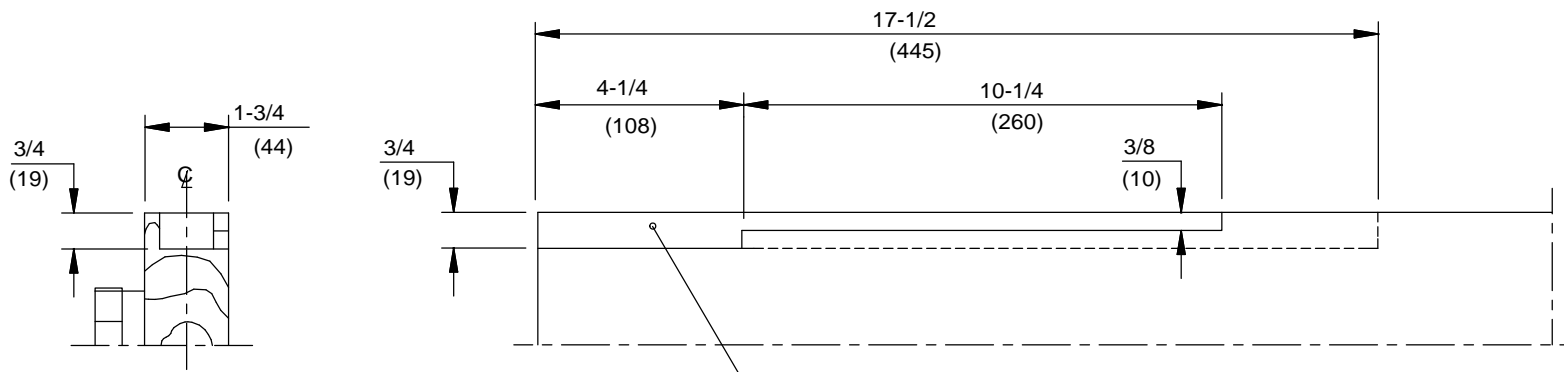
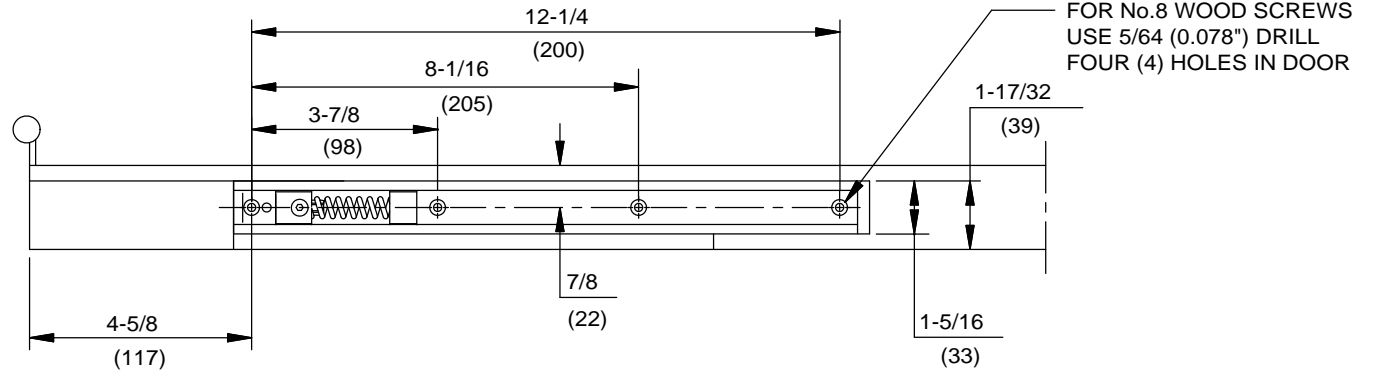
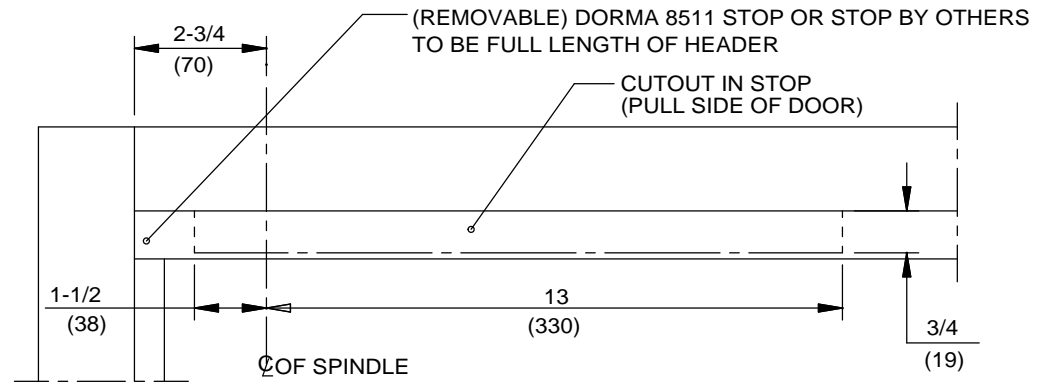
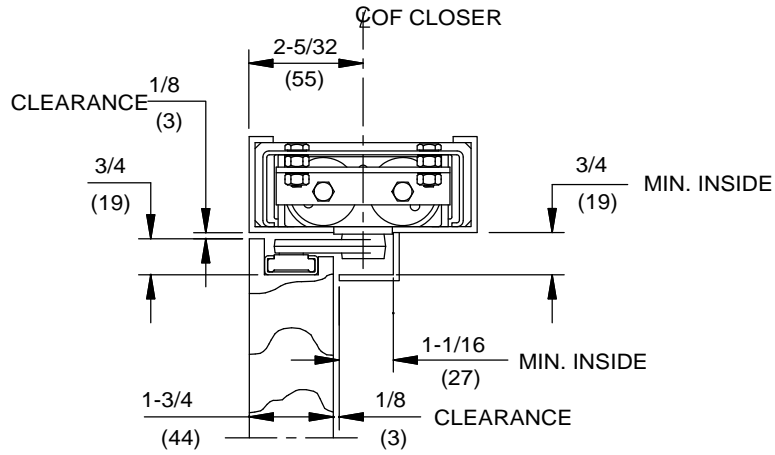


- NOTE:
1. DO NOT SCALE DRAWING.
 2. DIMENSIONS ARE IN INCHES/(MM).
 3. MINIMUM HEADER SIZE 2" X 4-1/2".
 4. CUT OUT FOR COVER PLATE 3-3/4" X 15-3/4".
 5. CLEARANCE BETWEEN HEADER AND DOOR 1/8".
 6. WIDTH OF REINFORCEMENT PLATE TO BE A SLIP FIT INTO INSIDE OF HEADER.
 7. 90°HO MODELS NOMINAL HOLD OPEN AT 88°. 105°HO MODELS NOMINAL HOLD OPEN AT 103°.
 8. AUXILIARY STOP REQUIRED COINCIDING WITH DEADSTOP ON RTS CLOSER.

DOOR CLOSER MODEL: RTS SERIES PACKAGE 28, WOOD DOOR AND STEEL FRAME PREPARATION, DOOR HUNG ON 4-1/2" WIDE BUTT HINGES
 No. 8532 MOUNTING CHANNEL, No. 8812 TRACK ARM, No. 8575 COVER PLATE



DORMA Door Controls
 Reamstown, PA 17567



CUT OUT IN PUSH SIDE OF DOOR

Always consult Dorma's web site for latest template at www.dorma-usa.com or call 1-800-523-8483.



DORMA Door Controls
 Reamstown, PA 17567