

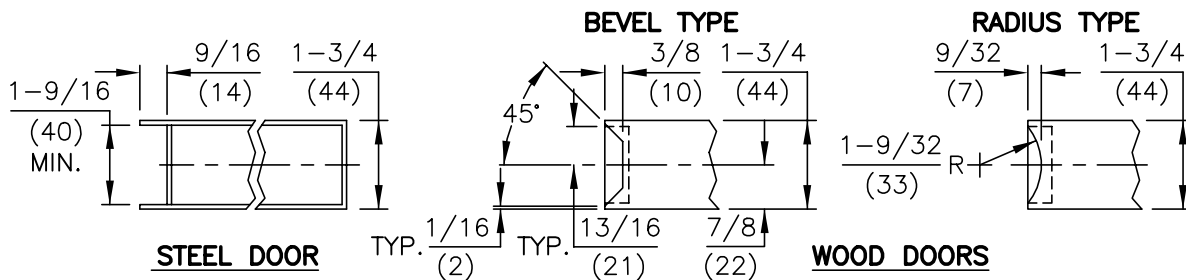
NOTE: PREPARE FULL LENGTH OF DOOR



MODEL No.

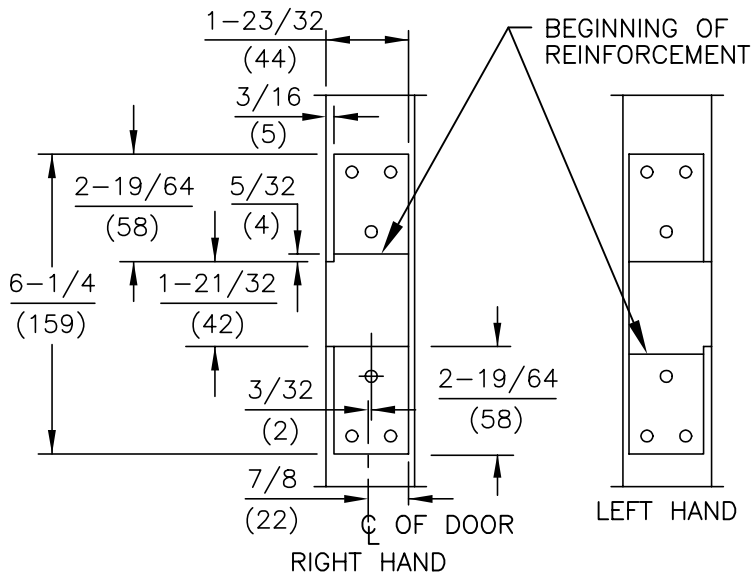
75520

75523

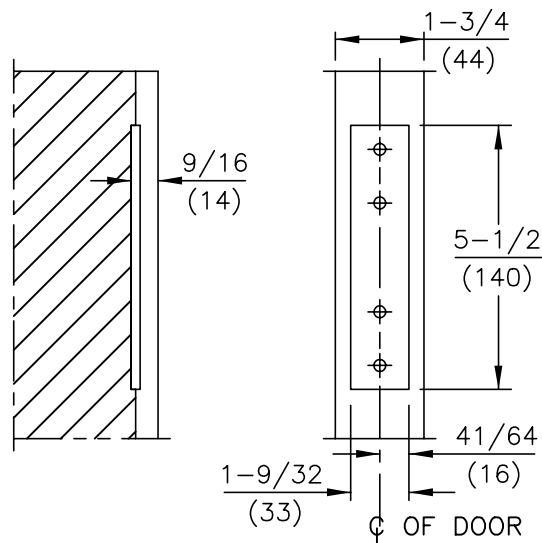


DOOR JAMB CLEARANCE  $\frac{7}{64}$ " - HINGE SIDE.  
(3)

FINISH



MORTISE PREP.-STEEL FRAME



MORTISE PREP.-WOOD OR STEEL DOOR

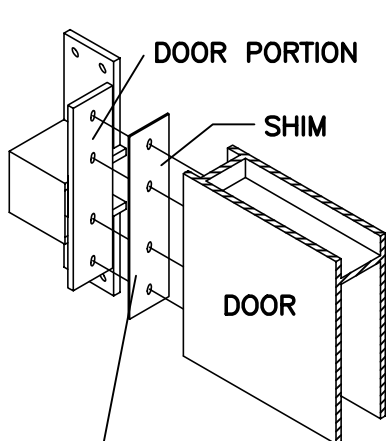
## INSTALLATION INSTRUCTIONS

(POCKET PIVOT)

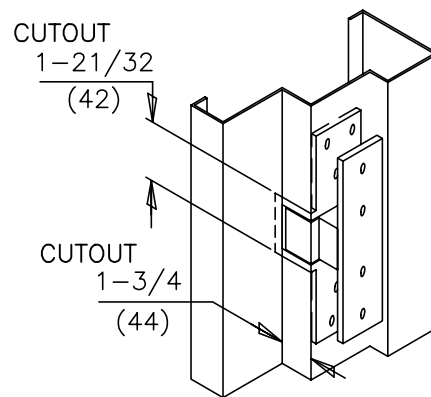
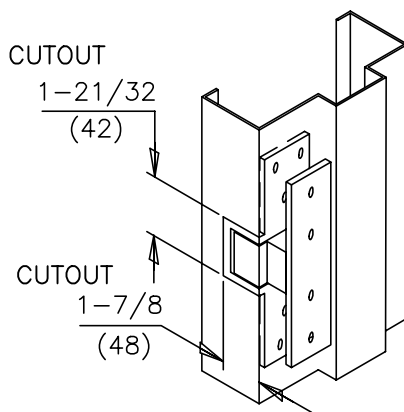
(STEEL FRAME AND WOOD OR STEEL DOOR)

Prepare door and frame for the two leaves shown by template on reverse side. Center lines of pivot must be in alignment to prevent binding between door and jamb.

Install door portion of pivots to door. Place door in 90° open position and align frame portions with holes in frame reinforcement and secure tightly.



Insert shim between door portion and door as shown.



RIGHT HAND FRAMES SHOWN