

# 1-1/2" OFFSET BOTTOM ARM (HD)

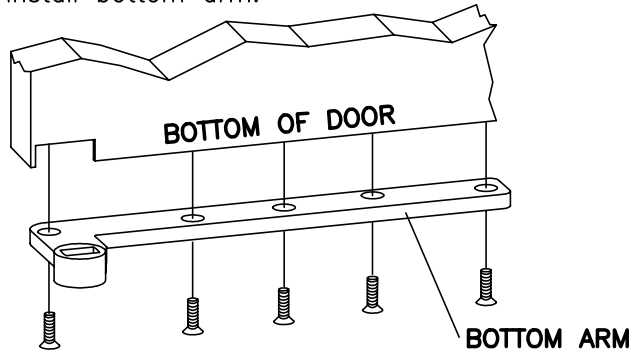


MODEL No.

1) Prepare door according to template.

15323

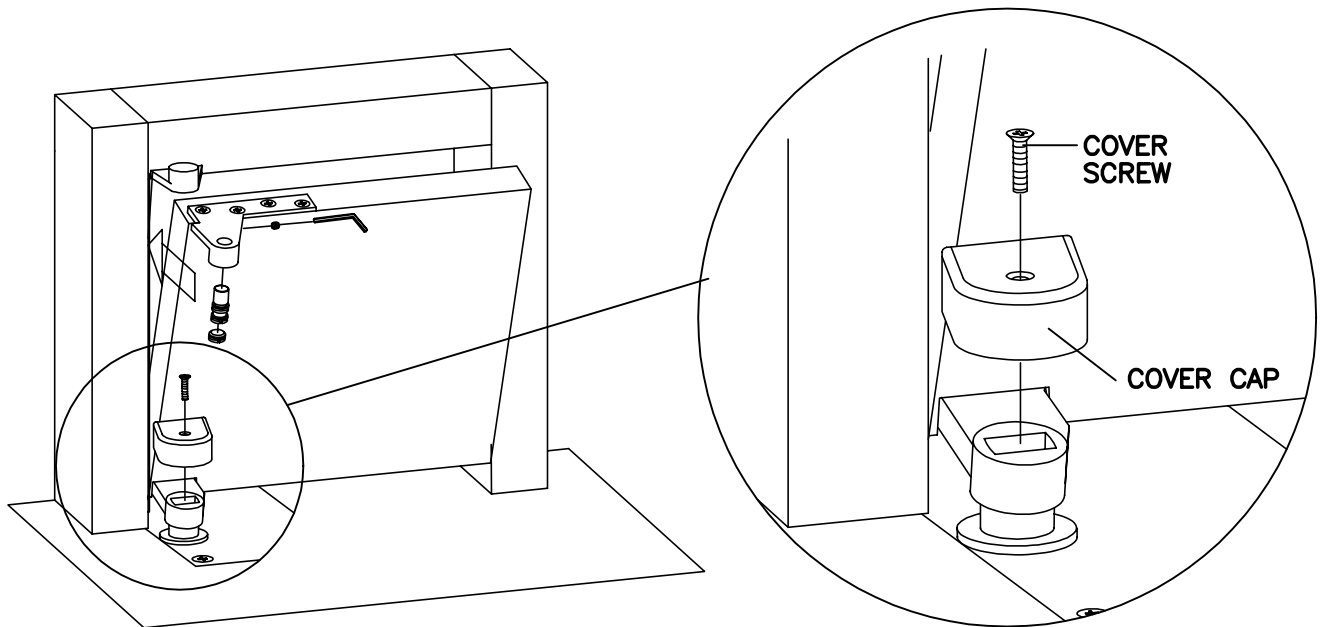
Install bottom arm.



LH  RH

2) Fasten arm to door.

FINISH



3) Install door.

4) Attach cover cap with screw provided.