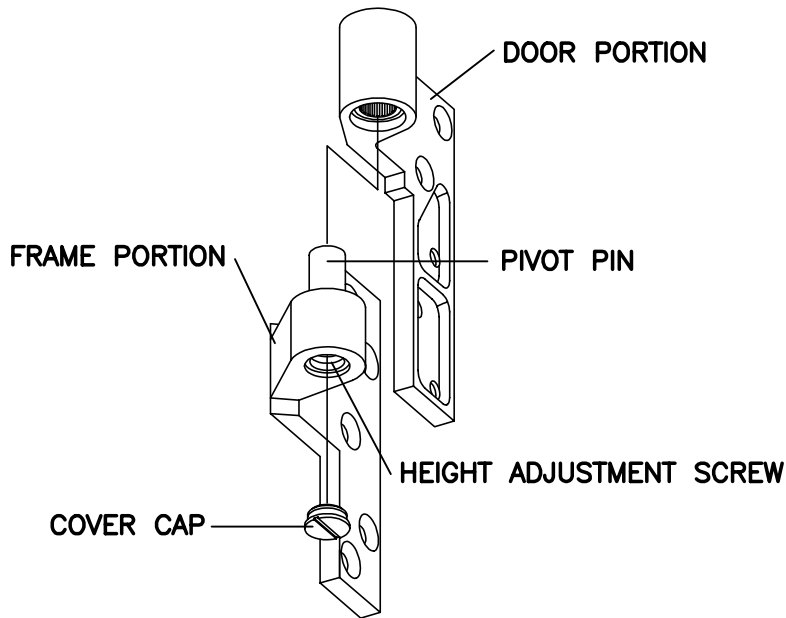


1-1/2" OFFSET INTERMEDIATE PIVOT



MODEL No.



- 15220
- 15222
- 15233
- LH RH

FINISH

- 1) Prepare door and frame according to template.
- 2) Install door.
- 3) Fasten frame portion of pivot.
- 4) Fasten door portion of pivot.
- 5) Adjust verticle height of door, if necessary. Remove cover cap. Turn height adjustment screw clockwise to raise door or counterclockwise to lower door. Replace cover cap.

Note:

When intermediate pivots are used in conjunction with the BTS Series Floor closer, the entire weight of the door must rest firmly on the floor closer spindle.

To insure proper installation, the center line of the intermediate pivot must be in line with the centerline of the top and bottom pivot.