

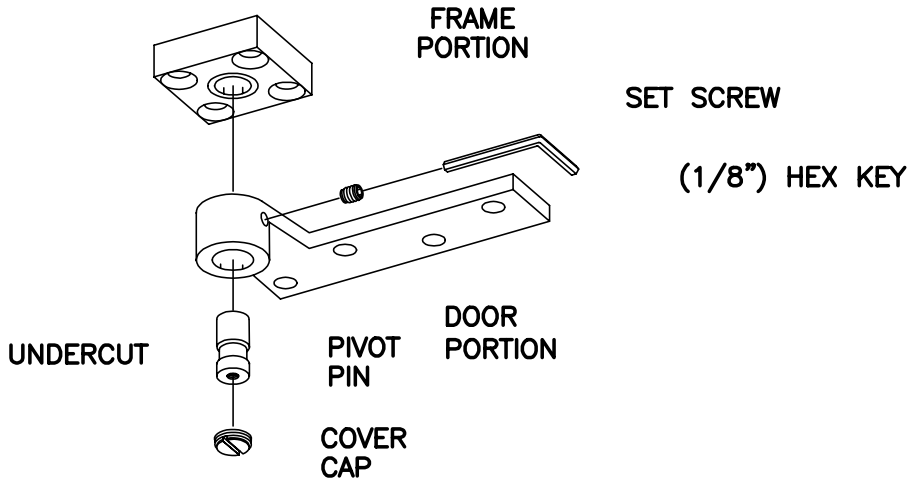
3/4" OFFSET TOP PIVOT WITH 102 JAMB PORTION



MODEL No.

| | |
|--------------------------|--------------------------------|
| <input type="checkbox"/> | 75120/102 |
| <input type="checkbox"/> | 75122/102 |
| <input type="checkbox"/> | 75133/102 |
| <input type="checkbox"/> | LH <input type="checkbox"/> RH |

- 1) Prepare door and frame according to template.
- 2) Remove door portion cover cap, set screw and pivot pin.

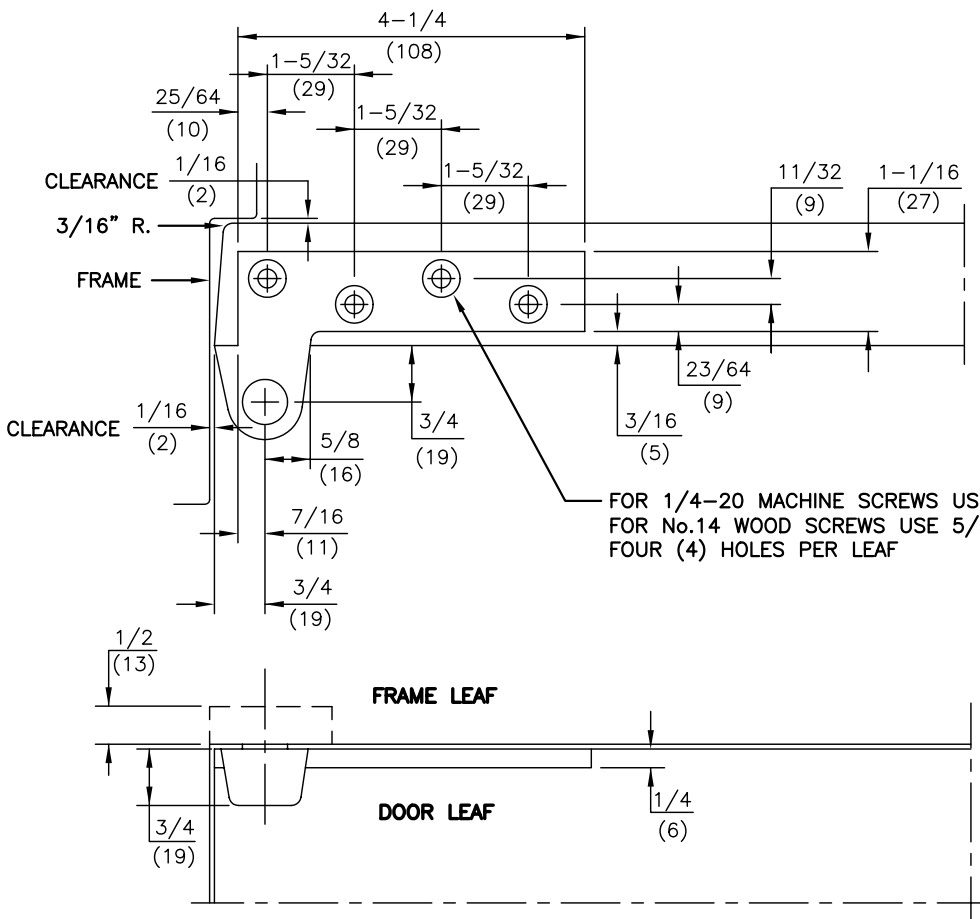


FINISH

- 3) Fasten pivot to door and frame.
- 4) Install door. Align door and frame portions of top pivot. Install pivot pin making sure undercut area of pin aligns with set screw. Tighten set screw securely. Install door portion cover cap.

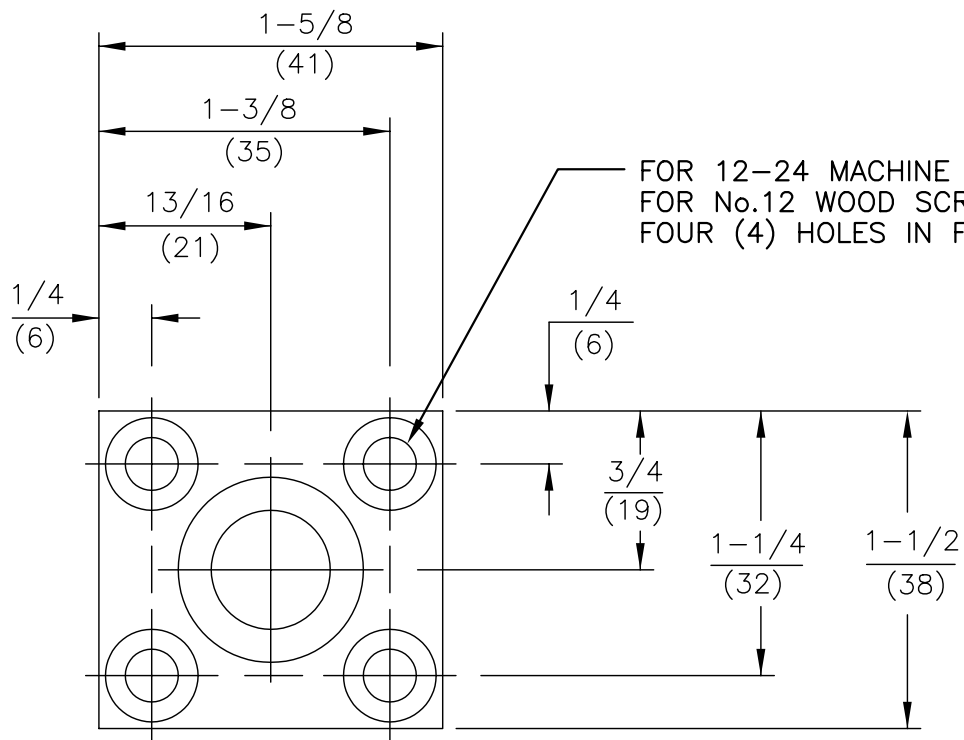
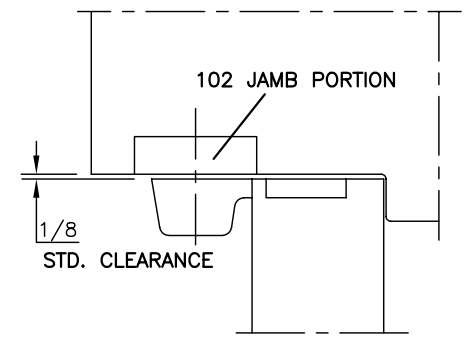
Note:

Pivot pin will always be removed through door portion.



- NOTES**
1. DO NOT SCALE DRAWING.
 2. DIMENSIONS ARE IN INCHES/(MM).
 3. RIGHT HAND DOOR SHOWN.
 4. BEVEL HEEL EDGE OF DOOR 1/8" IN 2".
 5. ALL NECESSARY REINFORCING FOR PIVOT BY OTHERS.

FOR 1/4-20 MACHINE SCREWS USE No.7 DRILL
 FOR No.14 WOOD SCREWS USE 5/32" DRILL
 FOUR (4) HOLES PER LEAF



FOR 12-24 MACHINE SCREWS USE No.16 DRILL
 FOR No.12 WOOD SCREWS USE 1/8" DRILL
 FOUR (4) HOLES IN FRAME FOR 102 JAMB PORTION

