

CENTER HUNG BOTTOM ARM

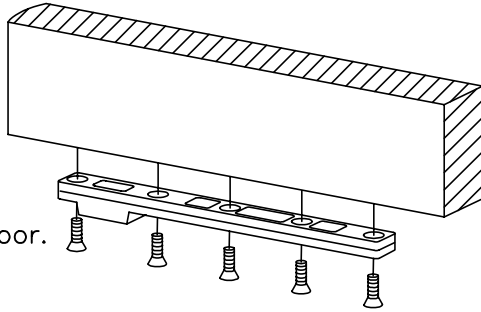
MODEL No.

- 1) Prepare door according to template.
- 2) Fasten arm to door.

7421

Install bottom arm #7421.

Attach arm to bottom of door with five wood or machine screws.



- 3) Install door.

With door parallel to frame, place bottom arm onto spindle. Rotate door approximately 90°. Align bearing with pivot pin. Engage pivot pin by turning adjustment screw clockwise. Check to make sure pivot pin is fully engaged in door portion of pivot.

FINISH

