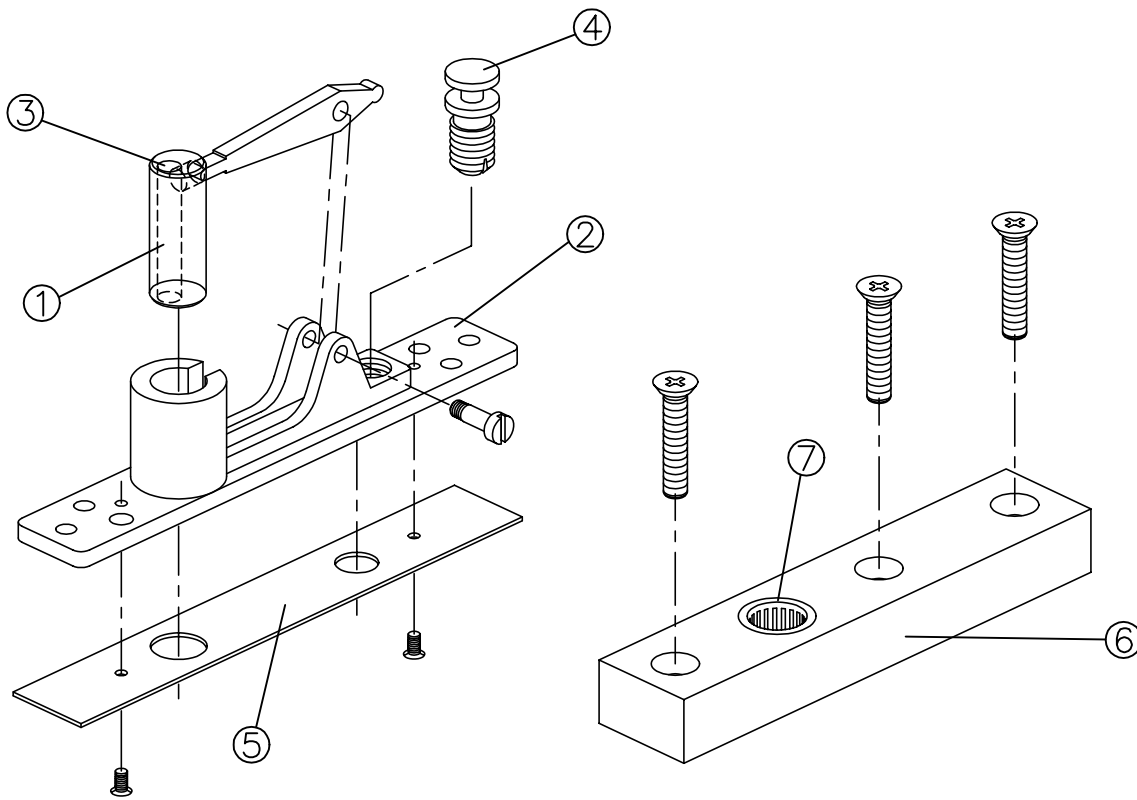


CENTER HUNG ELECTRIC TOP PIVOT



MODEL No.
E8062



2 WIRE 4 WIRE

FINISH

1. When making all electrical connections, follow applicable electrical codes.
2. Prepare door and header according to template.
3. Connect wires in header to section of wire provided with pivot. Retract pivot pin ① in header portion ② of pivot. Feed wire through clearance hole ③ in pivot pin. Fasten header portion of pivot. Fasten cover plate. ⑤
4. Place bottom of door on floor closer spindle or floor bearing. Raise door to a near vertical position. Feed wire through door portion ⑥ of pivot. Connect wires in door. Fasten door portion of pivot.
5. Align bearing ⑦ of door portion with pivot pin in header. Carefully feed excess wire into door. Engage pivot pin by turning adjustment screw ④ clockwise.
6. Test for proper operation of electrical device wired in door.