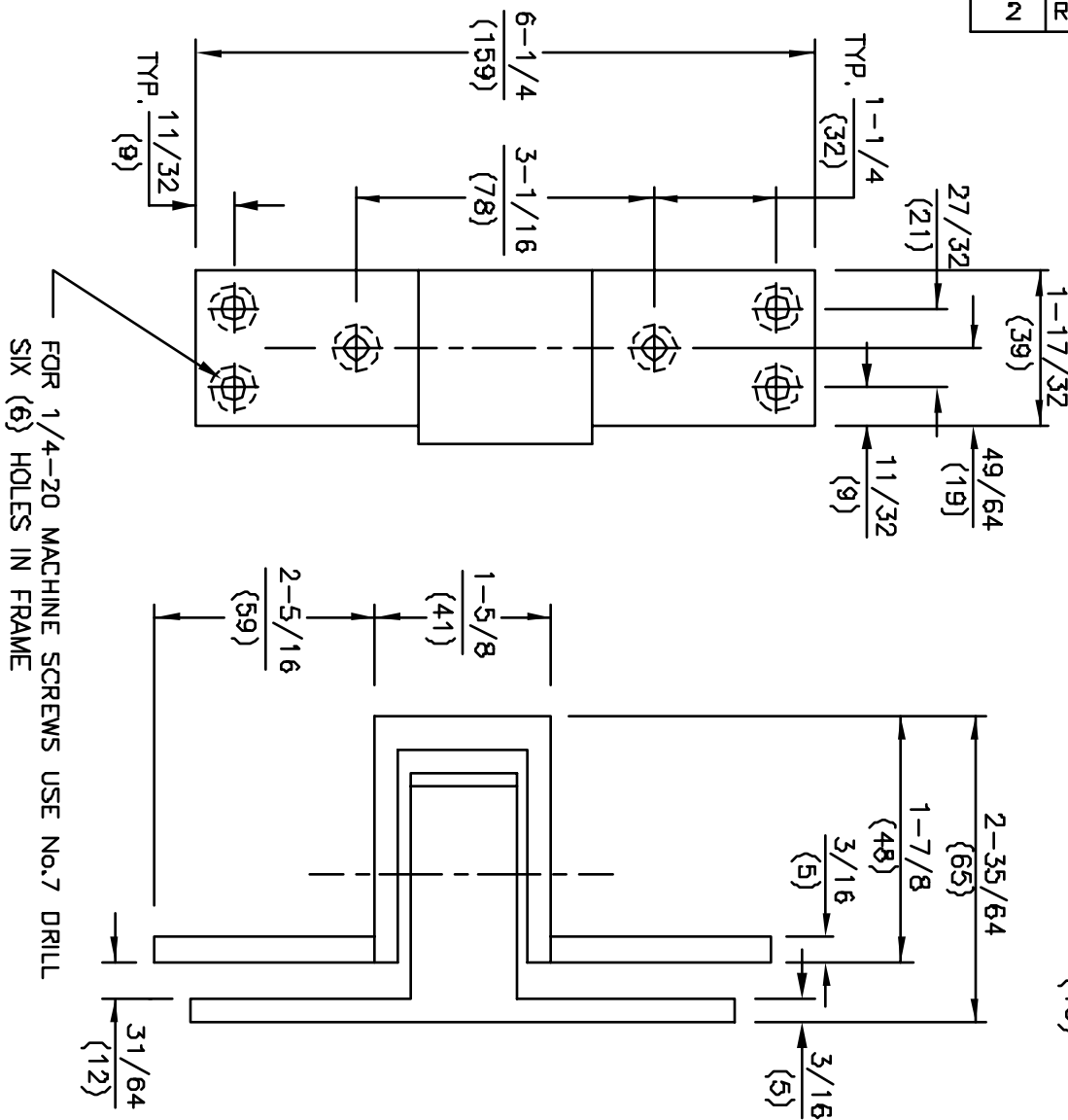
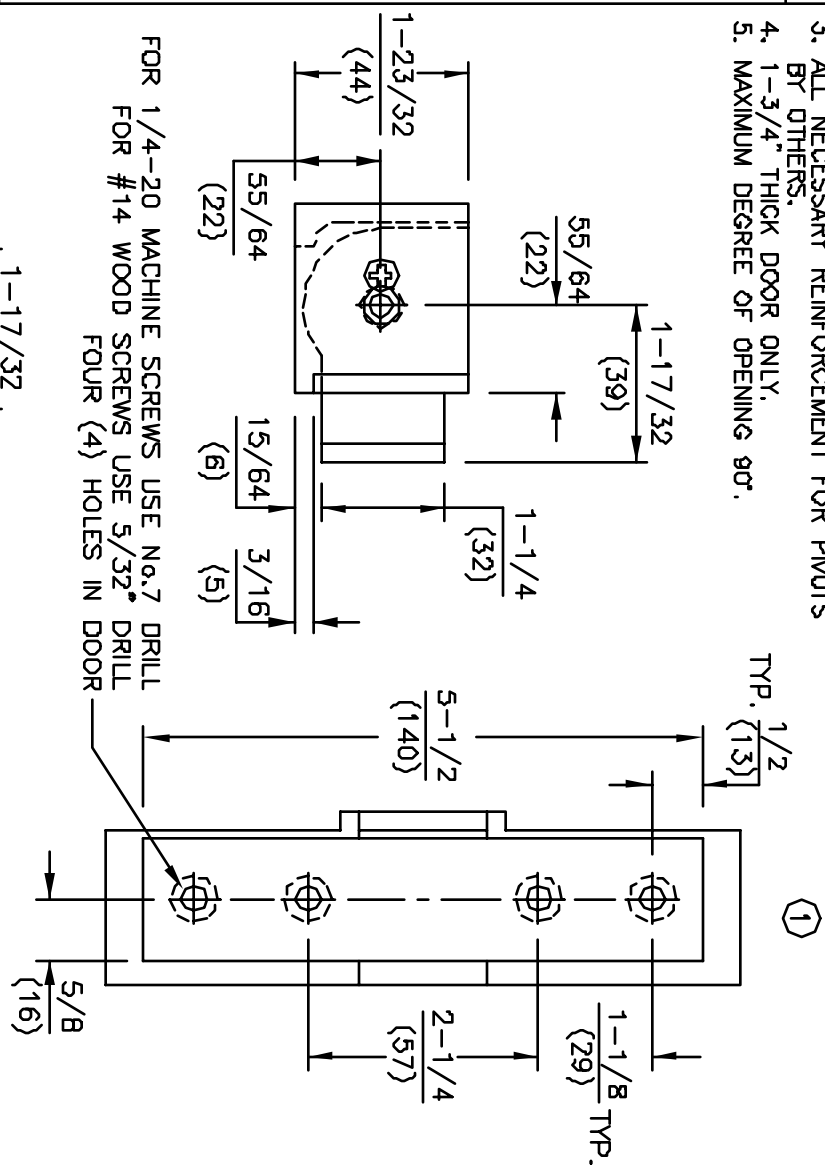


No.	REVISIONS	DATE
1	DELETED DIMENSION 1-31/64"	2/4/93
2	REVISED BEVEL AND RADIUS PREP. DRAWINGS SIDE 2	3/22/96

- NOTES
- DO NOT SCALE DRAWING.
  - DIMENSIONS ARE IN INCHES/(MM).
  - ALL NECESSARY REINFORCEMENT FOR PIVOTS BY OTHERS.
  - 1-3/4" THICK DOOR ONLY.
  - MAXIMUM DEGREE OF OPENING 90°.

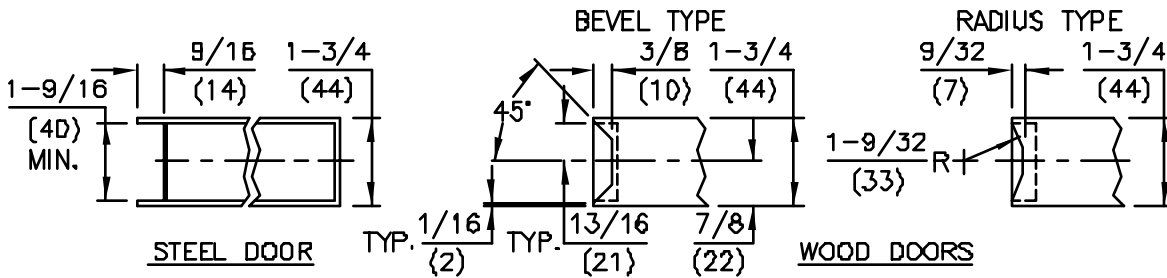


ITEM No. 75520, 75523  
POCKET PIVOT FOR STEEL FRAME AND WOOD OR STEEL DOOR



DORMA Architectural Hardware  
REAVISTOWN, PENNSYLVANIA 17567  
TEMPLATE No. LM-50 ②  
SIDE 1 OF 2

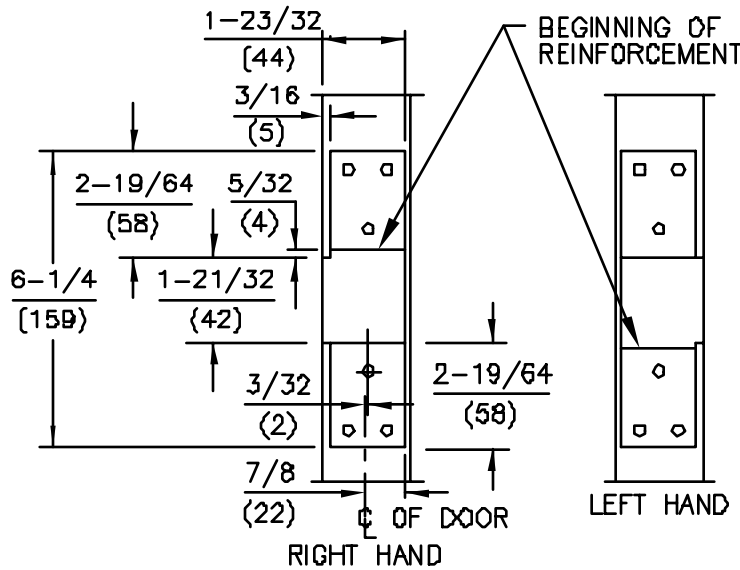
NOTE: PREPARE FULL LENGTH OF DOOR



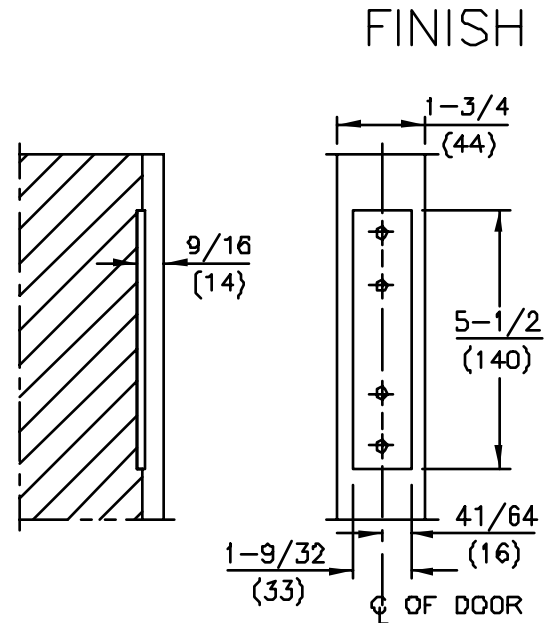
MODEL No.

- 75520
- 75523

DOOR JAMB CLEARANCE  $\frac{7}{64}$ " - HINGE SIDE.  
(3)



MORTISE PREP.-STEEL FRAME



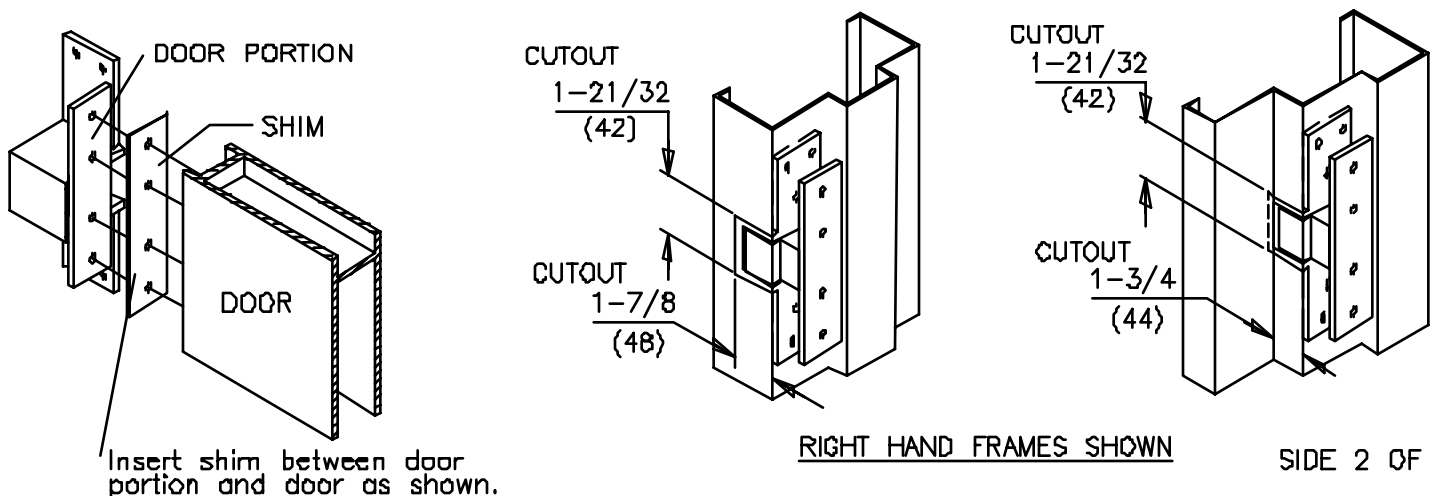
FINISH

MORTISE PREP.-WOOD OR STEEL DOOR

## INSTALLATION INSTRUCTIONS (POCKET PIVOT) (STEEL FRAME AND WOOD OR STEEL DOOR)

Prepare door and frame for the two leaves shown by template on reverse side. Center lines of pivot must be in alignment to prevent binding between door and jamb.

Install door portion of pivots to door. Place door in 90° open position and align frame portions with holes in frame reinforcement and secure tightly.



SIDE 2 OF 2