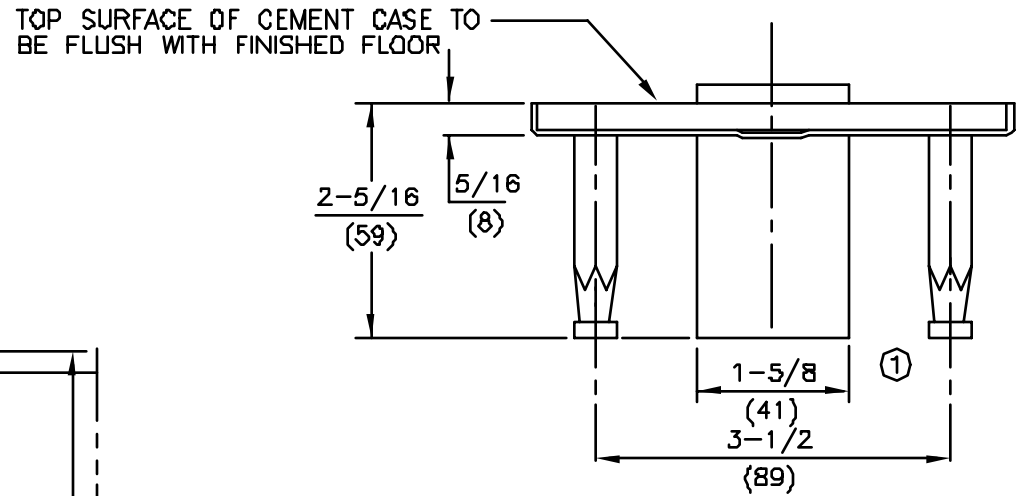
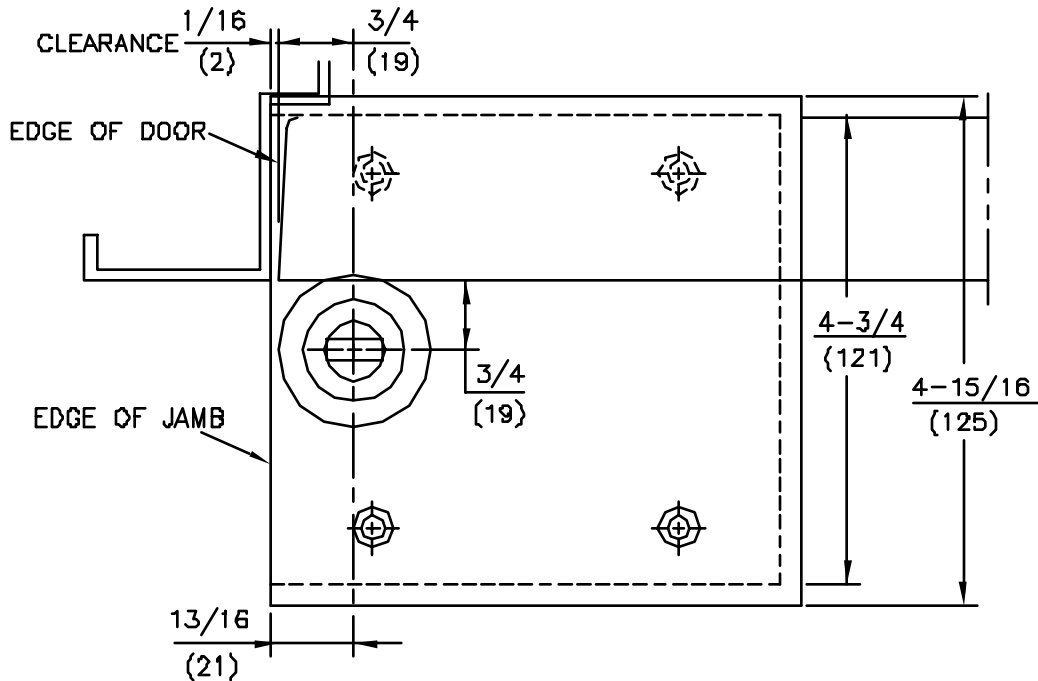
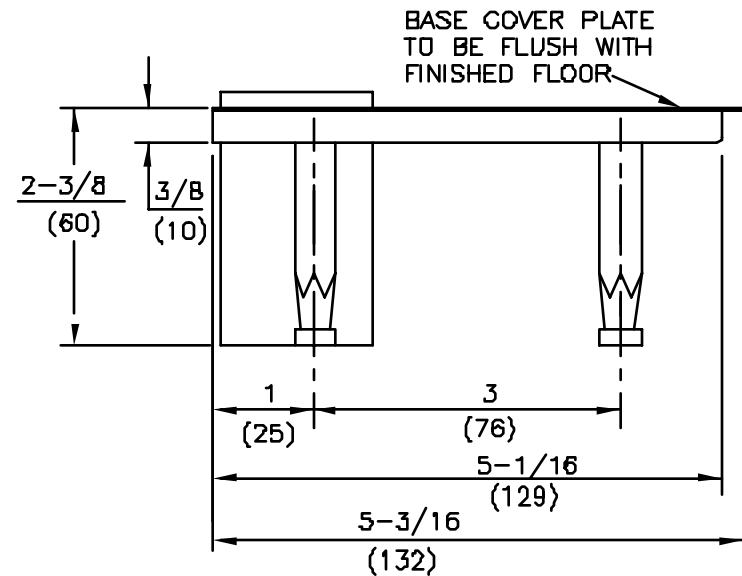


| No. | REVISIONS | DATE |
|-----|-------------------|---------|
| 1 | REVISED DIMENSION | 4/24/00 |

- NOTES:
 1. DO NOT SCALE DRAWING.
 2. DIMENSIONS ARE IN INCHES\MM.
 3. RIGHT HAND DOOR SHOWN.



WITH THRESHOLD



WITHOUT THRESHOLD

ITEM No. 7471HD FLOOR BEARING
 3/4" OFFSET HEAVY DUTY FLOOR BEARING INSTALLATION
 FOR USE WITH 75323 & 75343, 75343-2,
 75343-2-1/4, 75343-2-1/2, 75343-3 LEAD LINED BOTTOM ARMS



DORMA Architectural Hardware
 REAMSTOWN, PENNSYLVANIA 17667
 TEMPLATE No. LM-60 ①