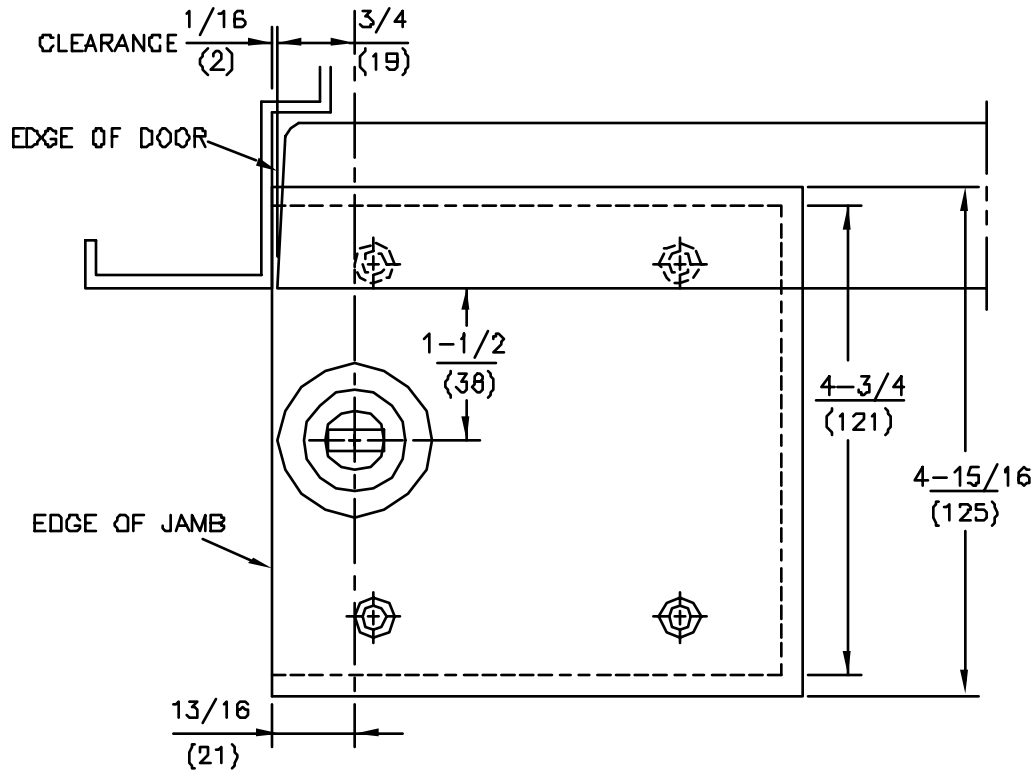


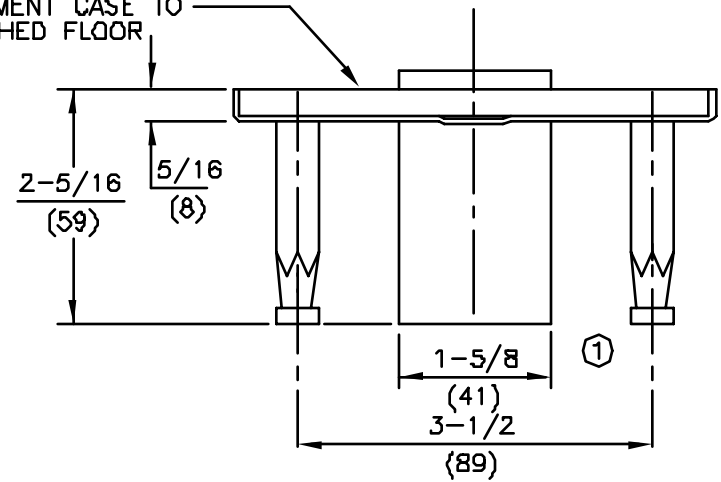
NOTES:

1. DO NOT SCALE DRAWING.
2. DIMENSIONS ARE IN INCHES\MM.
3. RIGHT HAND DOOR SHOWN.

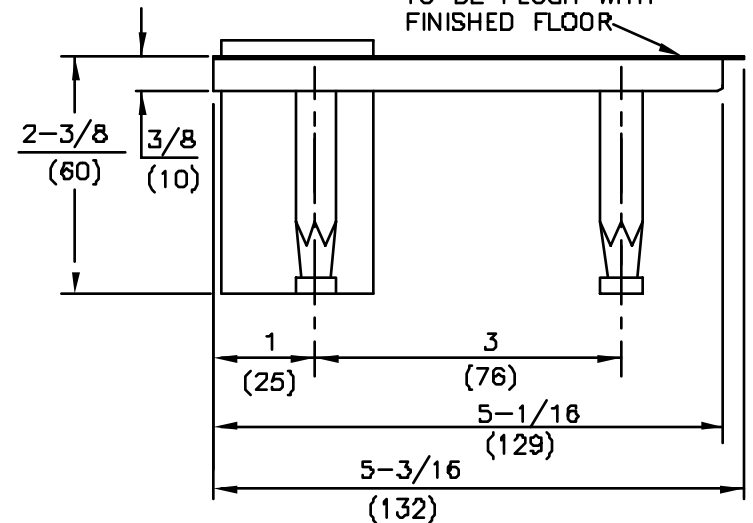
No.	REVISIONS	DATE
1	REVISED DIMENSION	4/24/00



TOP SURFACE OF CEMENT CASE TO BE FLUSH WITH FINISHED FLOOR



BASE COVER PLATE TO BE FLUSH WITH FINISHED FLOOR



ITEM No. 7471HD FLOOR BEARING  
 1-1/2" OFFSET HEAVY DUTY FLOOR BEARING INSTALLATION  
 FOR USE WITH 15323 BOTTOM ARM



DORMA Architectural Hardware  
 REAMSTOWN, PENNSYLVANIA 17567  
 TEMPLATE No. LM-59 ①