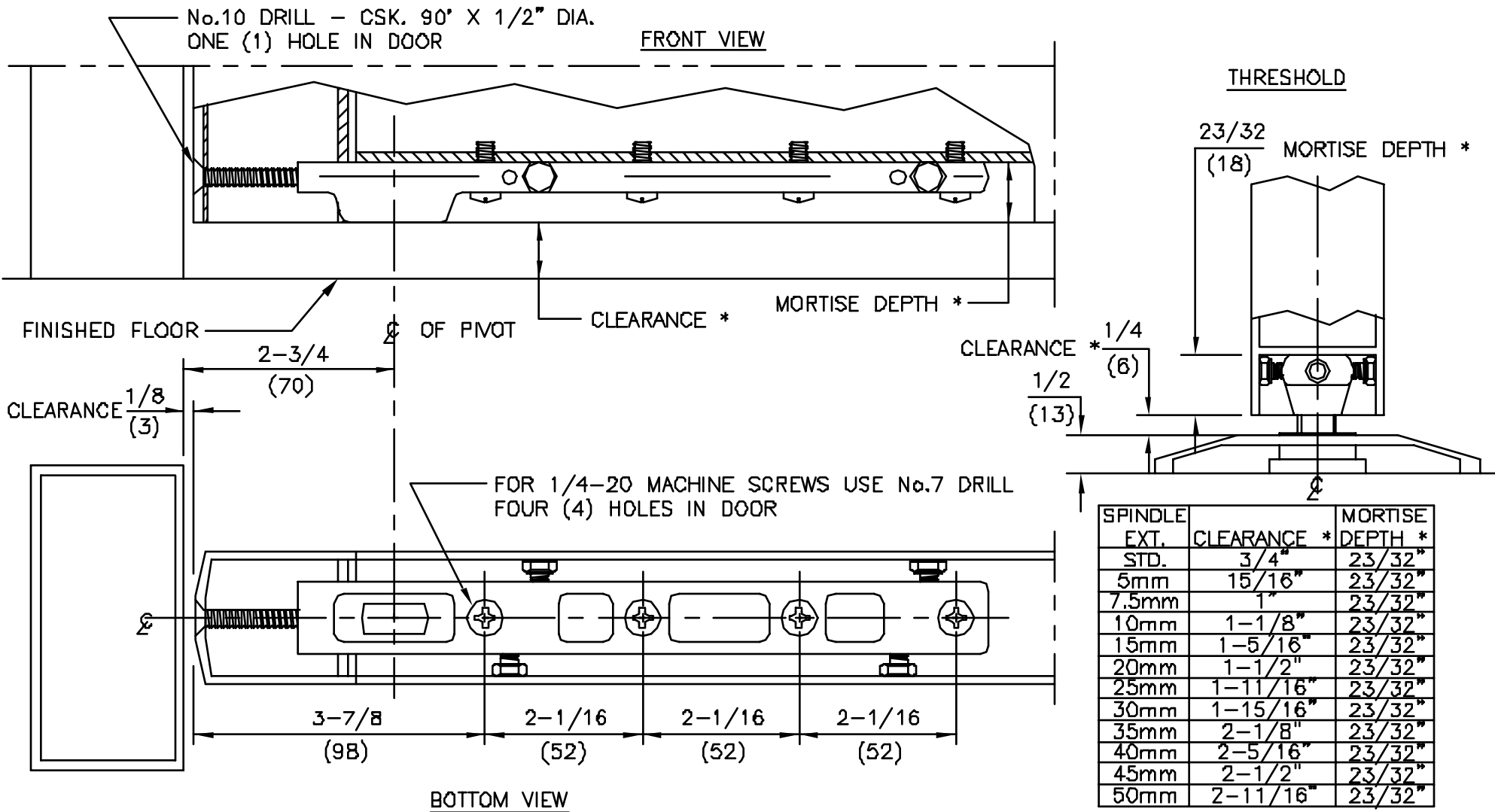


No.	REVISIONS	DATE

NOTES

1. DO NOT SCALE DRAWING.
2. DIMENSIONS ARE IN INCHES/(MM).
3. ALL NECESSARY REINFORCEMENT FOR ARM BY OTHERS.



ITEM No. 7422
 CENTER HUNG BOTTOM ARM
 ALUMINUM DOOR
 FOR USE WITH 7471K FLOOR BEARING



DORMA Architectural Hardware
 REAVISTOWN, PENNSYLVANIA 17567
 TEMPLATE No. LM-44