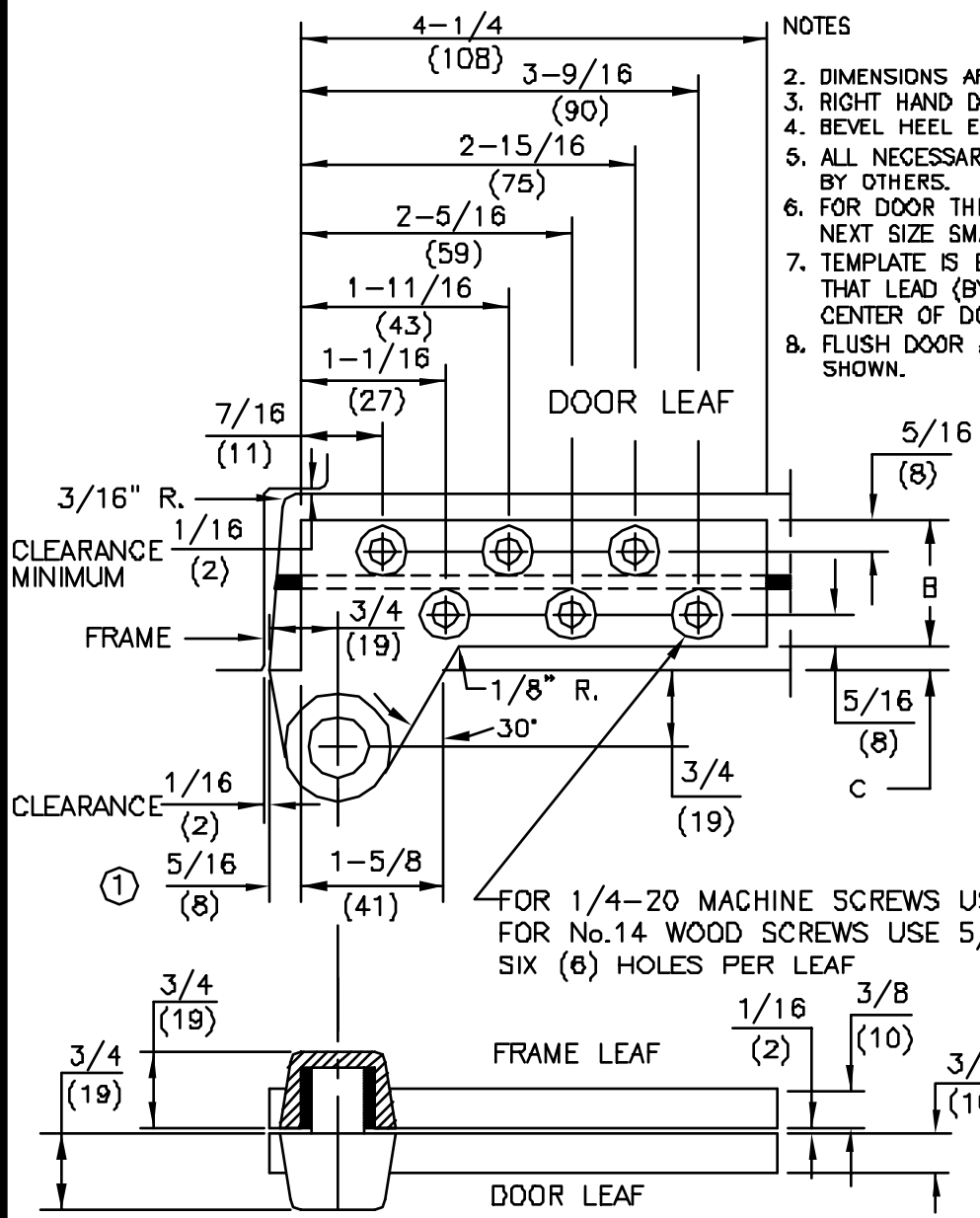
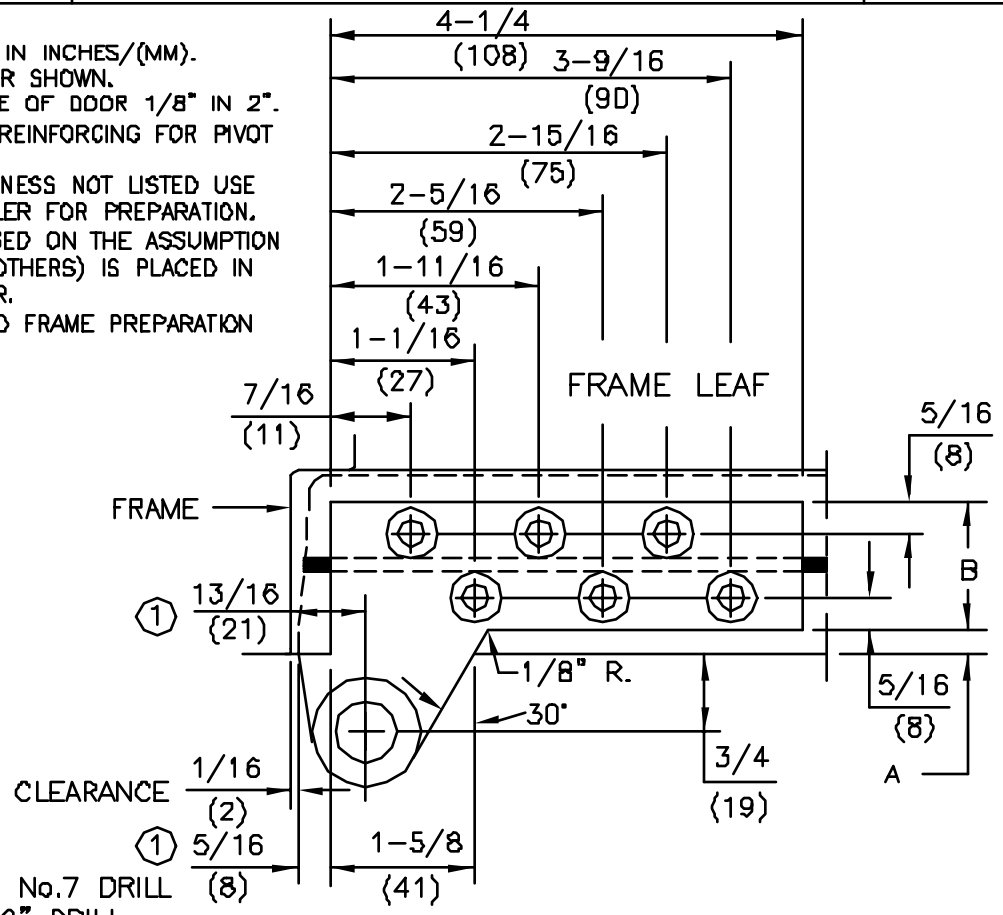


No.	REVISIONS	DATE
1	CHANGED DIMENSION 7/16" TO 5/16" AND ADDED 13/16" DIM.	9/24/92



NOTES

2. DIMENSIONS ARE IN INCHES/(MM).
3. RIGHT HAND DOOR SHOWN.
4. BEVEL HEEL EDGE OF DOOR 1/8" IN 2".
5. ALL NECESSARY REINFORCING FOR PIVOT BY OTHERS.
6. FOR DOOR THICKNESS NOT LISTED USE NEXT SIZE SMALLER FOR PREPARATION.
7. TEMPLATE IS BASED ON THE ASSUMPTION THAT LEAD (BY OTHERS) IS PLACED IN CENTER OF DOOR.
8. FLUSH DOOR AND FRAME PREPARATION SHOWN.



FOR 1/4-20 MACHINE SCREWS USE No.7 DRILL  
 FOR No.14 WOOD SCREWS USE 5/32" DRILL  
 SIX (6) HOLES PER LEAF

FOR FLUSH DOOR AND FRAME			
DOOR THICKNESS	DIM "A"	DIM "B"	DIM "C"
1-3/4"	1/4	1-1/4	1/4
2"	5/16	1-3/8	5/16
2-1/4"	3/8	1-1/2	3/8
2-1/2"	7/16	1-5/8	7/16
3"	1/2	2	1/2

FOR 1/8" INSET DOOR			
DOOR THICKNESS	DIM "A"	DIM "B"	DIM "C"
1-3/4"	3/8	1-1/4	1/4
2"	7/16	1-3/8	5/16
2-1/4"	1/2	1-1/2	3/8
2-1/2"	9/16	1-5/8	7/16
3"	5/8	2	1/2

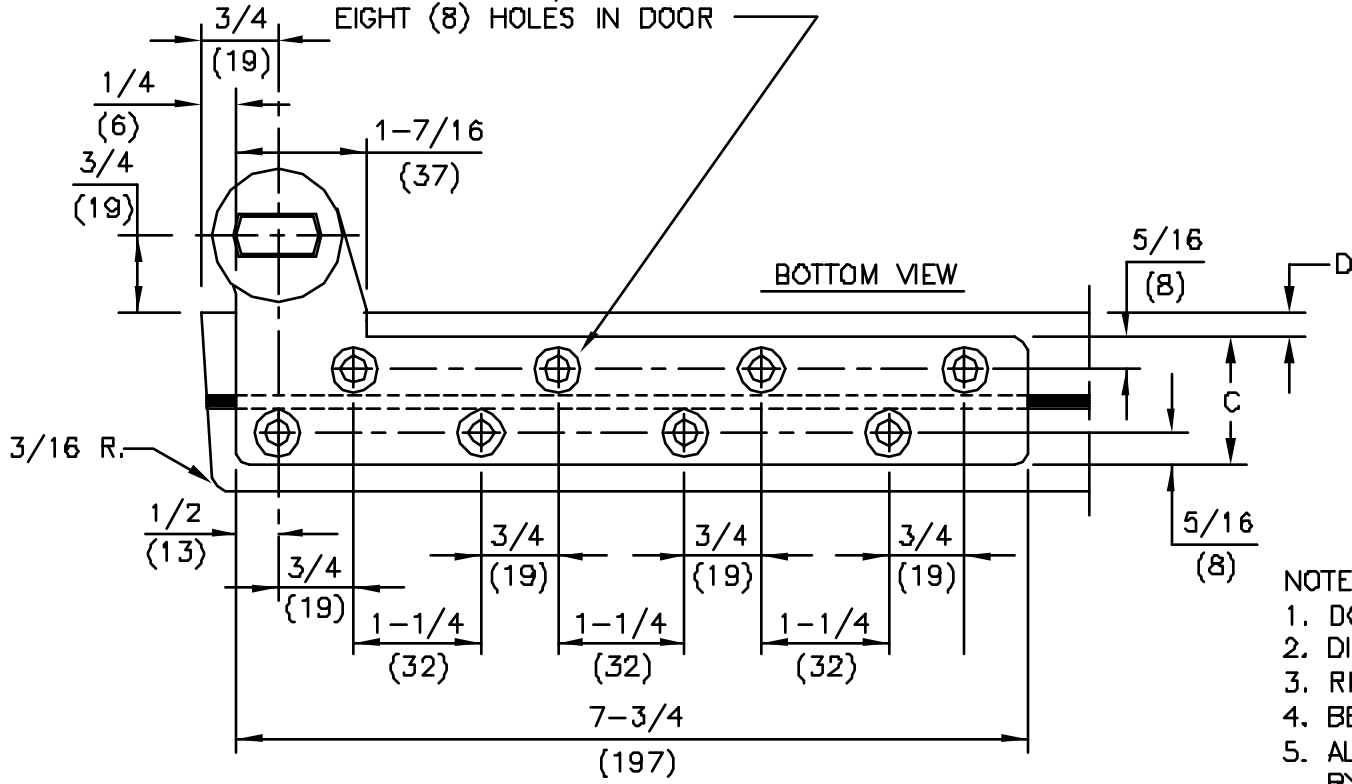
ALL SERIES: [75140, 75142, 75143 (DOOR FLUSH WITH FRAME) NON-HANDED],  
 [75140 5/8, 75142 5/8, 75143 5/8 (DOOR INSET 1/8" FROM FRAME) HANDED]  
 3/4" OFFSET FULL MORTISE TOP PIVOT  
 FOR LEAD LINED OR EXTRA HEAVY DOORS



DORMA Architectural Hardware  
 REAVISTOWN, PENNSYLVANIA 17567  
 TEMPLATE No. LM-36 (1)

FOR 1/4-20 MACHINE SCREWS USE No.7 DRILL  
 FOR No.14 WOOD SCREWS USE 5/32" DRILL  
 EIGHT (8) HOLES IN DOOR

No.	REVISIONS	DATE
-----	-----------	------

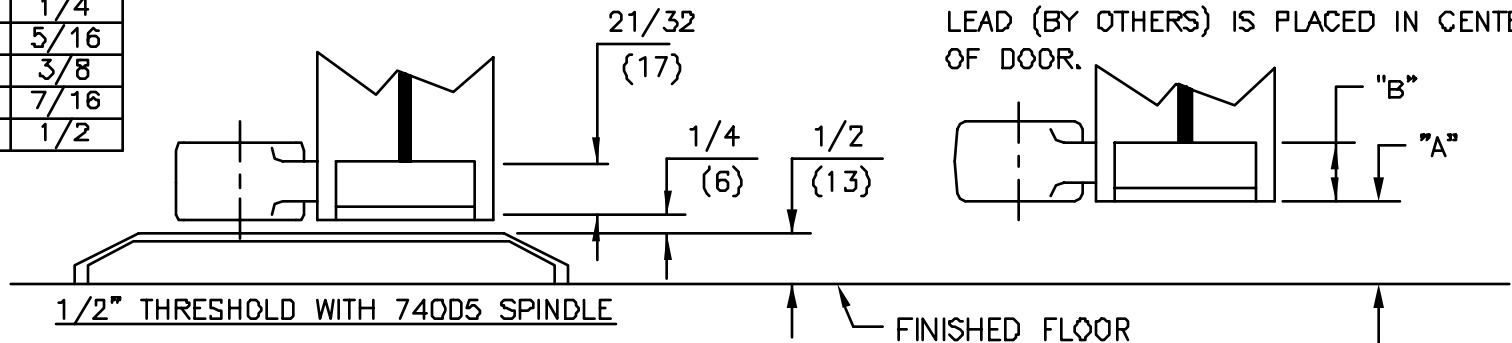


SPINDLE EXT.	"A" CLEARANCE	"B" MORTISE DEPTH
74003	3/8"	25/32"
74003	9/16"	19/32"
STD.74005	3/4"	19/32"
74007	7/8"	19/32"
74010	1"	19/32"
74012	1-1/16"	19/32"
74015	1-1/8"	19/32"
74020	1-3/8"	19/32"
74025	1-9/16"	19/32"
74030	1-3/4"	19/32"

NOTES

1. DO NOT SCALE DRAWING.
2. DIMENSIONS ARE IN INCHES/(MM).
3. RIGHT HAND DOOR SHOWN.
4. BEVEL HEEL EDGE OF DOOR 1/8" IN 2".
5. ALL NECESSARY REINFORCEMENT FOR ARM BY OTHERS.
6. FOR DOOR THICKNESS NOT LISTED USE NEXT SIZE NARROWER ARM.
7. TEMPLATE BASED ON THE ASSUMPTION THAT LEAD (BY OTHERS) IS PLACED IN CENTER OF DOOR.

DOOR THICKNESS	DIM "C"	DIM "D"
1-3/4"	1-1/4"	1/4"
2"	1-3/8"	5/16"
2-1/4"	1-1/2"	3/8"
2-1/2"	1-5/8"	7/16"
3"	2"	1/2"



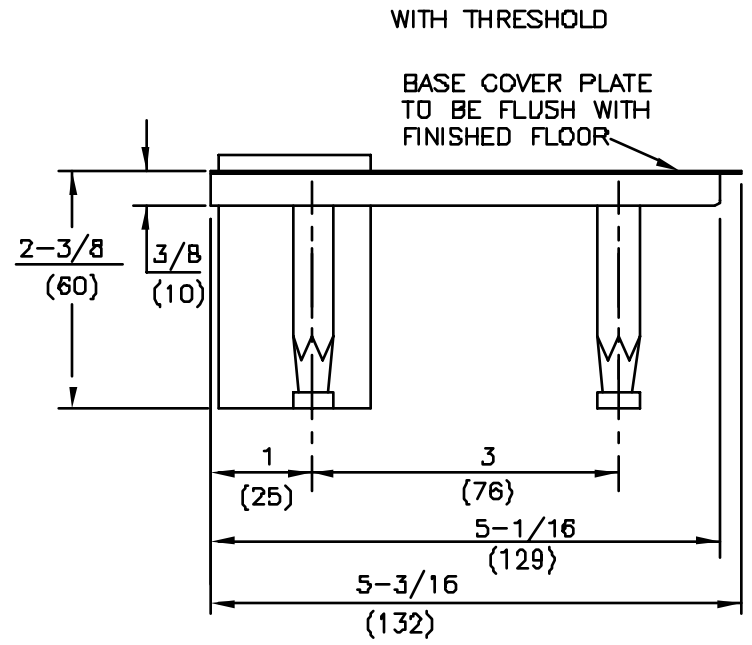
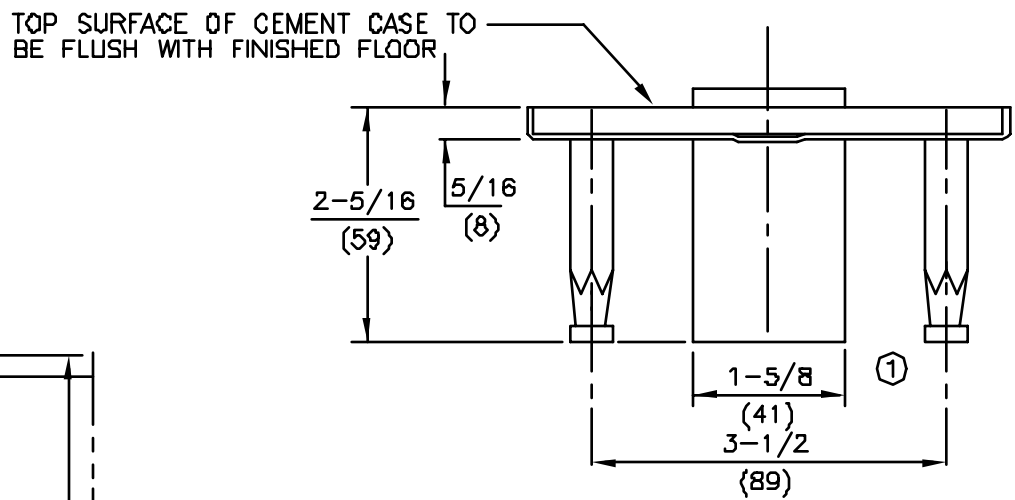
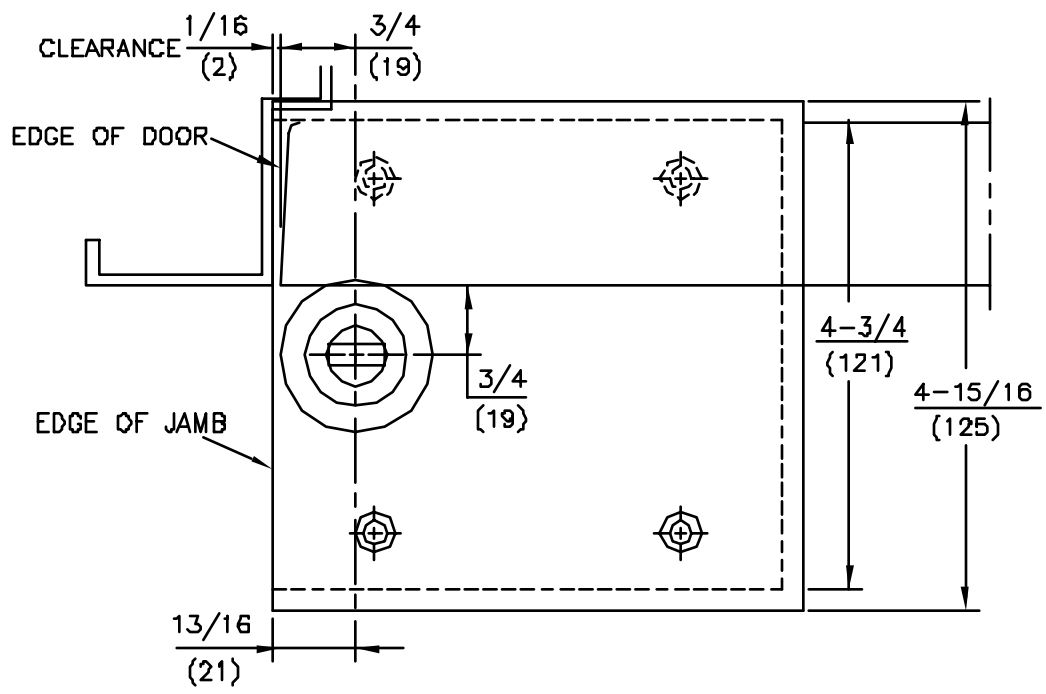
ITEM No. 75343, 75343-2, 75343-2 1/4, 75343-2 1/2, 75343-3  
 3/4" OFFSET HEAVY DUTY BOTTOM ARM FOR LEAD LINED OR EXTRA HEAVY DOORS  
 FOR NON-FIRE OR 3HR. RATED DOORS  
 FOR USE WITH 7471HD FLOOR BEARING



DORMA Architectural Hardware  
 REAMSTOWN, PENNSYLVANIA 17667  
 TEMPLATE No. LM-64

No.	REVISIONS	DATE
1	REVISED DIMENSION	4/24/00

NOTES:  
 1. DO NOT SCALE DRAWING.  
 2. DIMENSIONS ARE IN INCHES\MM.  
 3. RIGHT HAND DOOR SHOWN.



ITEM No. 7471HD FLOOR BEARING  
 3/4" OFFSET HEAVY DUTY FLOOR BEARING INSTALLATION  
 FOR USE WITH 75323 & 75343, 75343-2,  
 75343-2-1/4, 75343-2-1/2, 75343-3 LEAD LINED BOTTOM ARMS

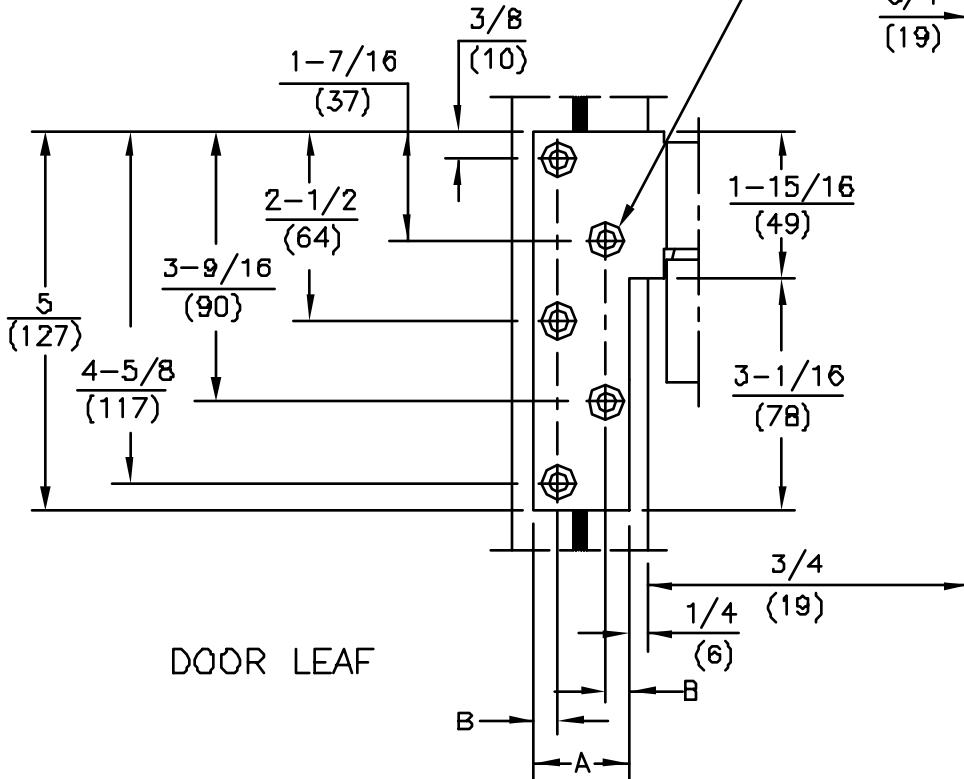


DORMA Architectural Hardware  
 REAMSTOWN, PENNSYLVANIA 17567  
 TEMPLATE No. LM-60 ①

NOTES

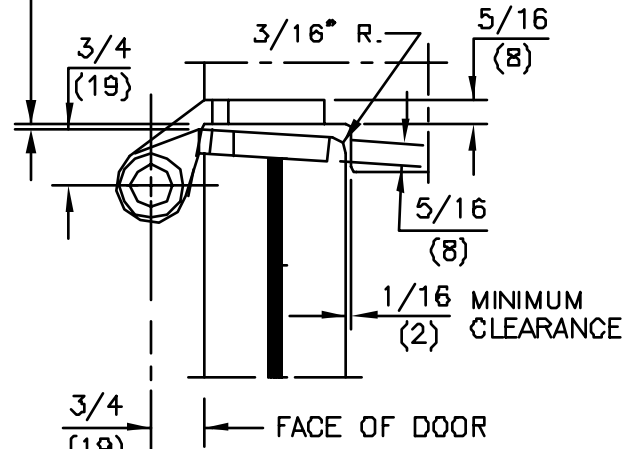
1. DO NOT SCALE DRAWING.
2. DIMENSIONS ARE IN INCHES/(MM).
3. RIGHT HAND DOOR SHOWN.
4. BEVEL HEEL EDGE OF DOOR 1/8" IN 2".
5. ALL NECESSARY REINFORCEMENT FOR PIVOT BY OTHERS.
6. FOR DOOR THICKNESS NOT LISTED USE NEXT SIZE SMALLER FOR PREPARATION.
7. TEMPLATE IS BASED ON THE ASSUMPTION THAT LEAD (BY OTHERS) IS PLACED IN CENTER OF DOOR.
8. FLUSH DOOR AND FRAME PREPARATION SHOWN. FOR 1/4-20 MACHINE SCREWS USE No.7 DRILL FOR No.14 WOOD SCREWS USE 5/32" DRILL

5 (FIVE) HOLES IN EACH LEAF



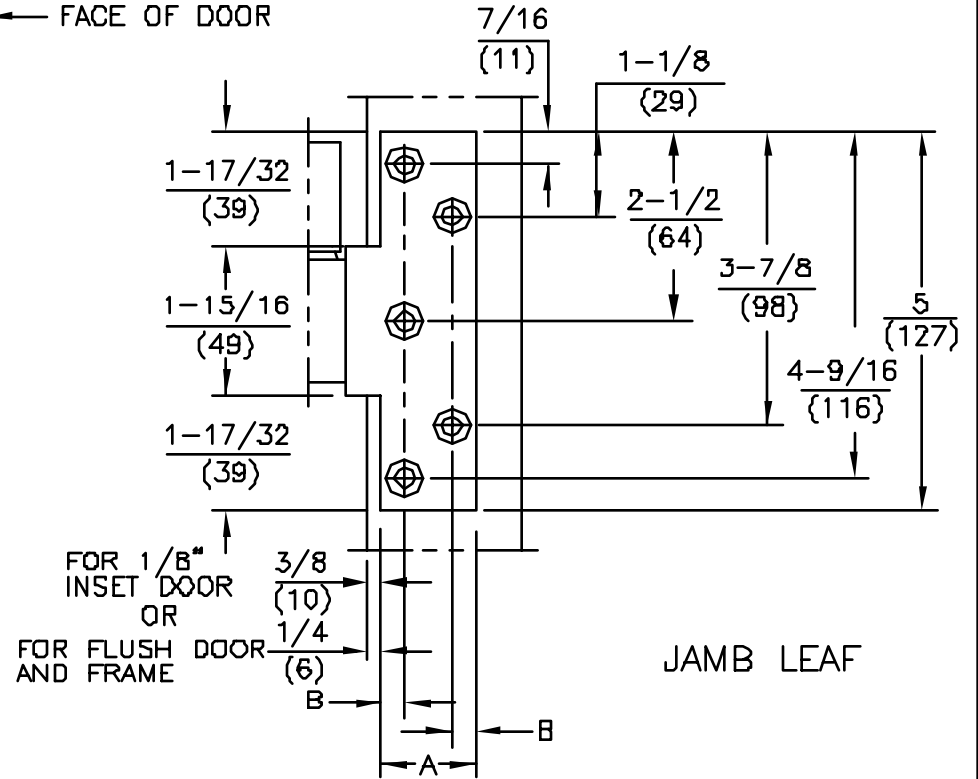
DOOR LEAF

No.	REVISIONS	DATE



DOOR THICKNESS	DIM "A"	DIM "B"
1-3/4"	1-1/4	1/4
2"	1-1/2	5/16
2-1/4"	1-3/4	5/16
2-1/2"	2	5/16
3"	2-7/16	5/16

FACE OF DOOR



JAMB LEAF

ALL SERIES: 75240, 75242, 75243  
 3/4" OFFSET FULL MORTISE  
 INTERMEDIATE PIVOT (HANDED)  
 FOR LEAD LINED OR EXTRA HEAVY DOORS



DORMA Architectural Hardware  
 REAMSTOWN, PENNSYLVANIA 17567  
 TEMPLATE No. LM-37