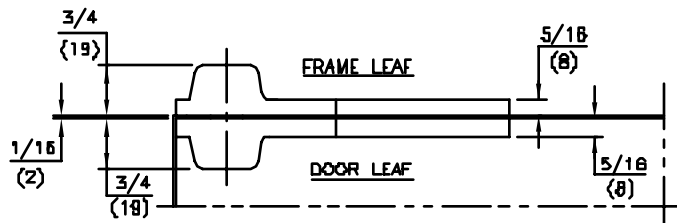
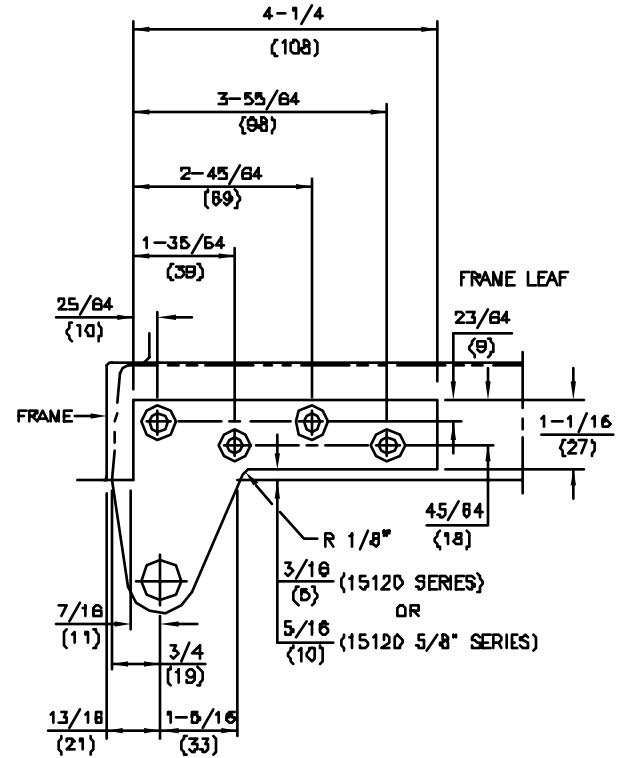
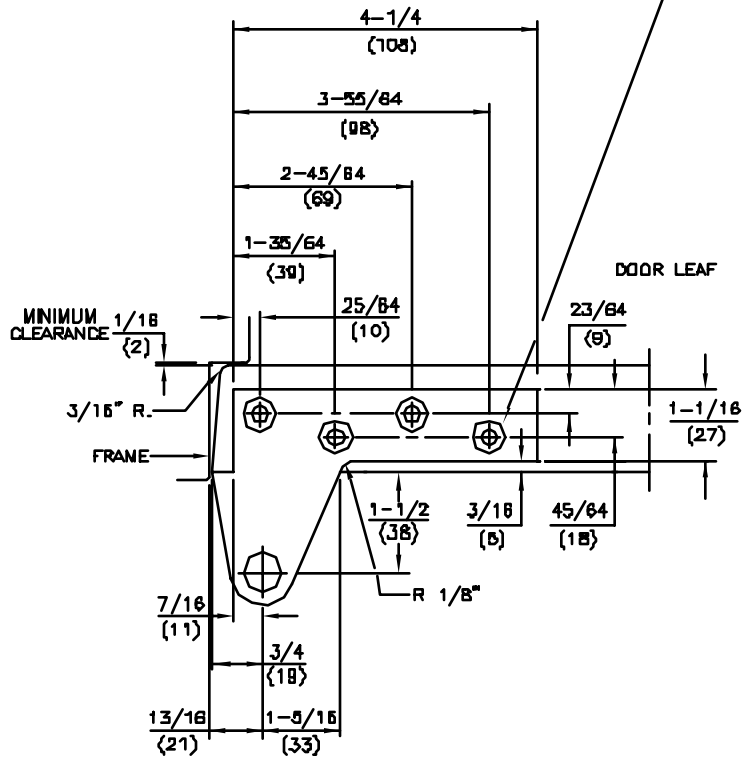


No.	REVISIONS	DATE

FOR 1/4-20 MACHINE SCREWS USE No.7 DRILL  
 FOR No.14 WOOD SCREWS USE 5/32" DRILL  
 FOUR (4) HOLES PER LEAF



NOTES

1. DO NOT SCALE DRAWING.
2. DIMENSIONS ARE IN INCHES/(MM).
3. RIGHT HAND DOOR SHOWN.
4. BEVEL HEEL EDGE OF DOOR 1/8" IN 2".
5. ALL NECESSARY REINFORCING FOR PIVOT BY OTHERS.

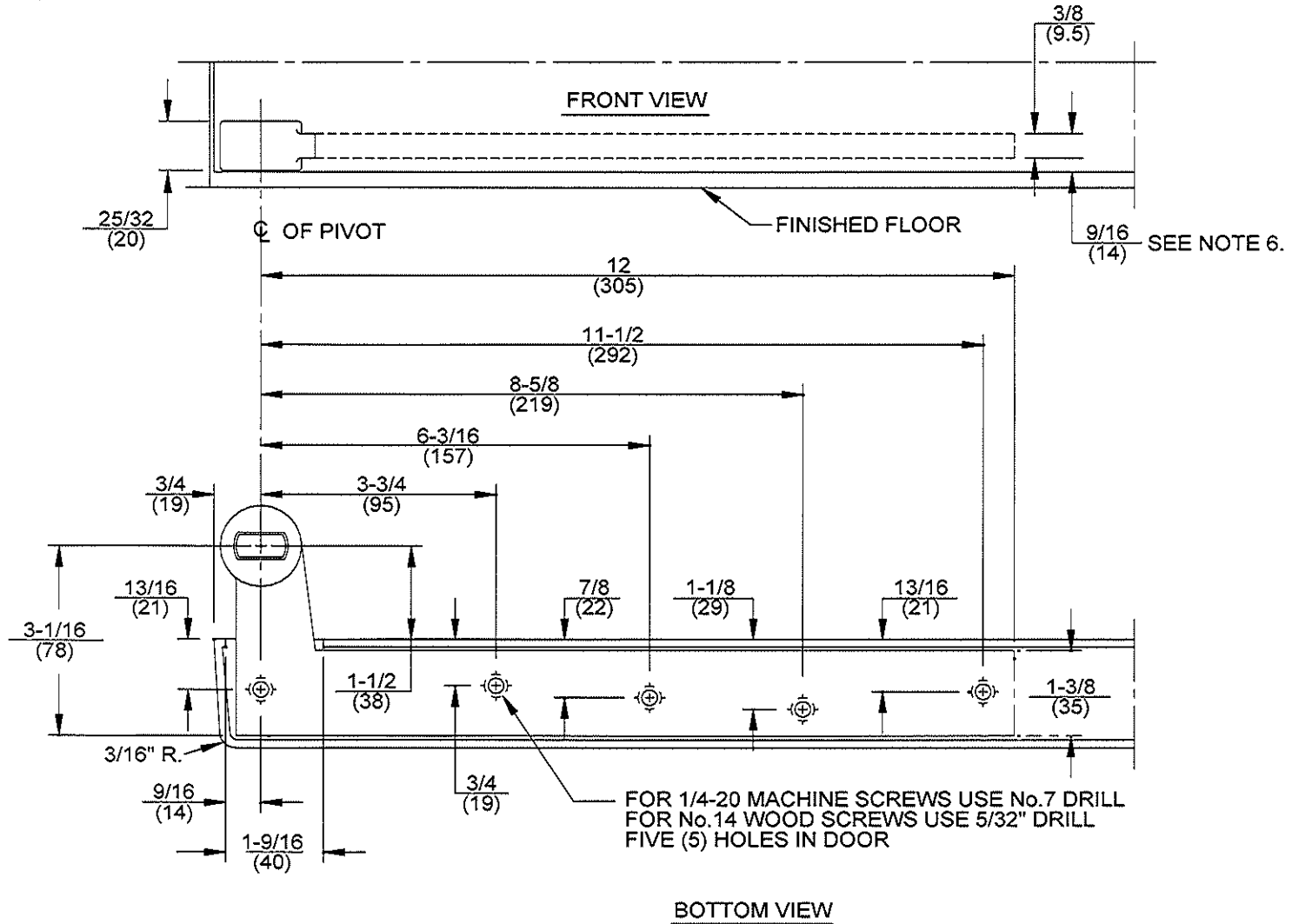
ITEM No. [15120, 15122, 15133 (FLUSH DOOR) NON-HANDED],  
 [15120 5/8, 15122 5/8, 15133 5/8 (1/8" REVEAL) HANDED]  
 1-1/2" OFFSET FULL MORTISE TOP PIVOT



DORMA Architectural Hardware  
 REAVISTOWN, PENNSYLVANIA 17567  
 TEMPLATE No. LM-38

NOTES

1. DO NOT SCALE DRAWING.
2. DIMENSIONS ARE IN INCHES/(MM).
3. RIGHT HAND DOOR SHOWN.
4. BEVEL HEEL EDGE OF DOOR 1/8" IN 2".
5. ALL NECESSARY REINFORCING FOR PIVOT BY OTHERS.
6. STANDARD MORTISE DEPTH.



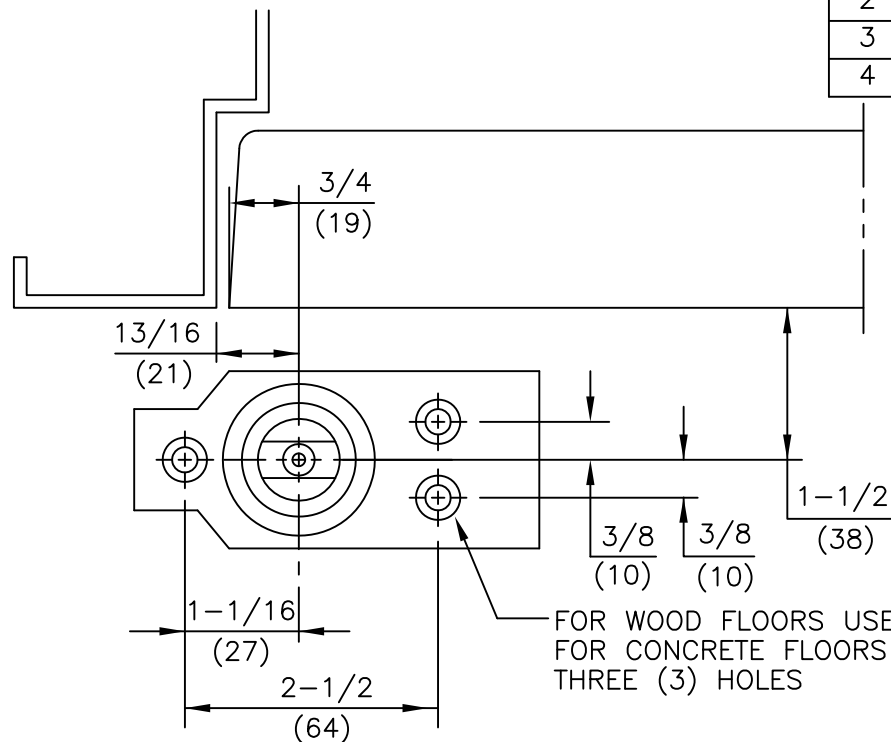
ITEM No. 15323  
 1-1/2" OFFSET STANDARD BOTTOM ARM (HANDED)



DORMA Architectural Hardware  
 Reamstown, PA 17567

TEMPLATE No. 15200

No.	REVISIONS	DATE
1	ADD NOTE #6. STANDARD 1/8" REVEAL, REVISE CHART	9/25/89
2	EXTENSIVE DRAWING CHANGES - SEE TRN # T-80	8/6/92
3	REVISED FROM 5/16" DRILL TO 1/4" DRILL 1" DEEP	8/2/04
4	REMOVE EXT SPINDLE 50MM 2-5/8 (67)	4/10/19

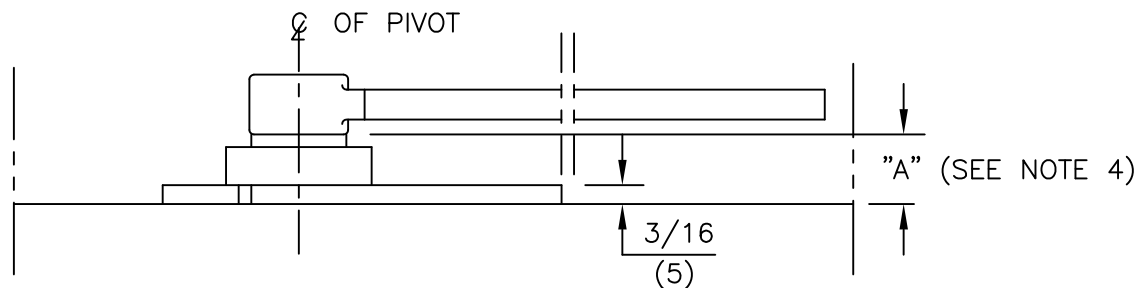


NOTES:

- DO NOT SCALE DRAWING.
- DIMENSIONS ARE IN INCHES\MM.
- RIGHT HAND DOOR SHOWN.
- DIMENSION "A" IS DISTANCE FROM BOTTOM OF PIVOT TO BOTTOM OF ARM. WHEN BOTTOM ARM IS INSTALLED TO THE STANDARD TEMPLATE, THIS IS ALSO EQUAL TO THE BOTTOM DOOR CLEARANCE.

FOR WOOD FLOORS USE 1/8" DRILL  
FOR CONCRETE FLOORS USE 1/4" DRILL 1" DEEP  
THREE (3) HOLES

SPINDLE SIZE	DIM. "A"
STANDARD	11/16 (17)
5MM EXT.	7/8 (22)
10MM EXT.	1-1/16 (27)
15MM EXT.	1-1/4 (32)
20MM EXT.	1-7/16 (37)
25MM EXT.	1-5/8 (42)
30MM EXT.	1-7/8 (47)
35MM EXT.	2-1/16 (52)
40MM EXT.	2-1/4 (57)
45MM EXT.	2-7/16 (62)



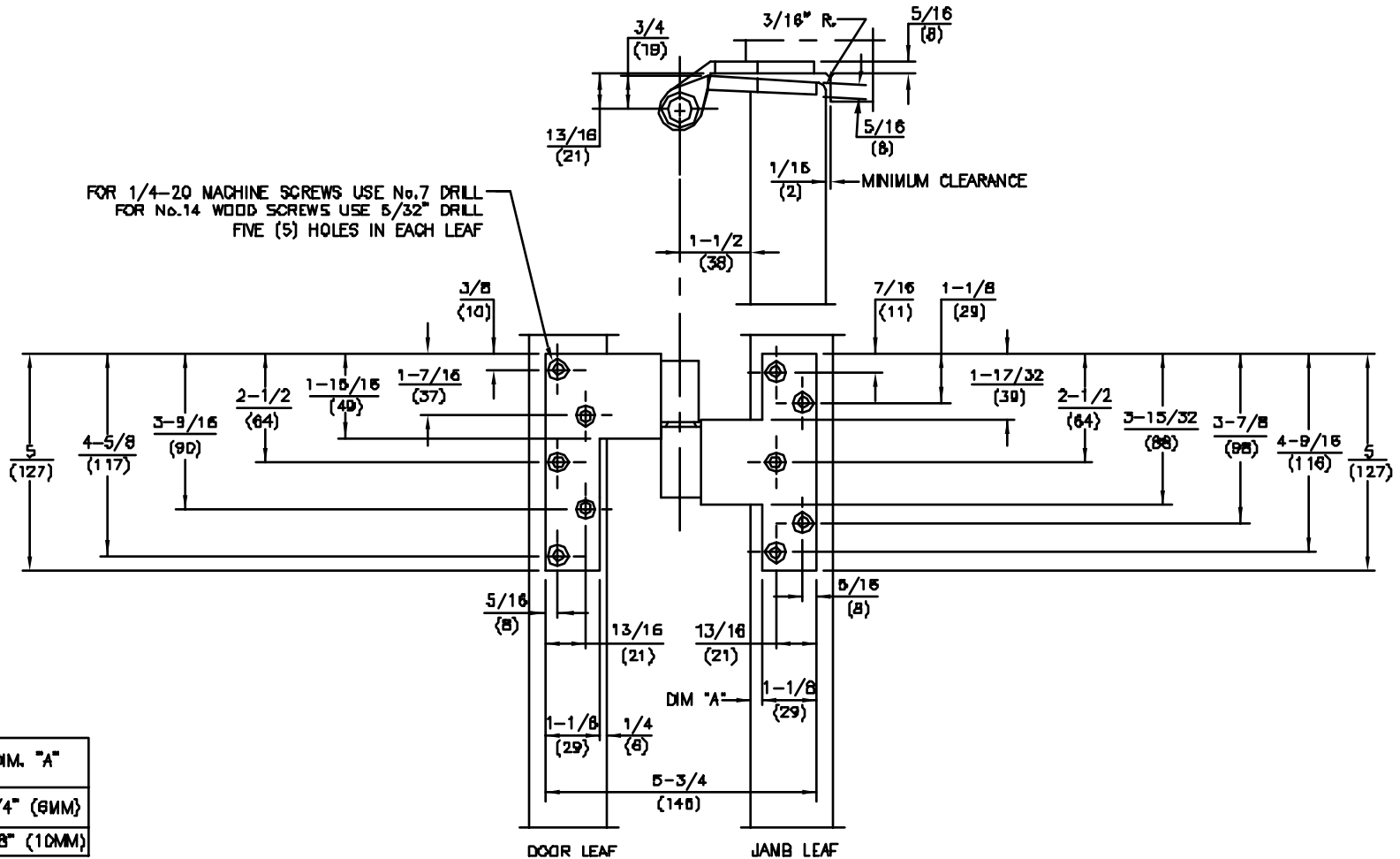
ITEM No.7471K  
1-1/2" OFFSET FLOOR BEARING INSTALLATION



DORMA Architectural Hardware  
REAMSTOWN, PENNSYLVANIA 17567  
TEMPLATE No. LM-31

No.	REVISIONS	DATE

- NOTES
1. DO NOT SCALE DRAWING.
  2. DIMENSIONS ARE IN INCHES/(MM).
  3. RIGHT HAND DOOR SHOWN.
  4. BEVEL HEEL EDGE OF DOOR 1/8" IN 2".
  5. ALL NECESSARY REINFORCEMENT FOR PIVOT BY OTHERS.



ITEM No. 15220, 15222, 15233  
1-1/2" OFFSET FULL MORTISE  
INTERMEDIATE PIVOT (HANDED)



DORMA Architectural Hardware  
REAVISTOWN, PENNSYLVANIA 17567  
TEMPLATE No. LM-39