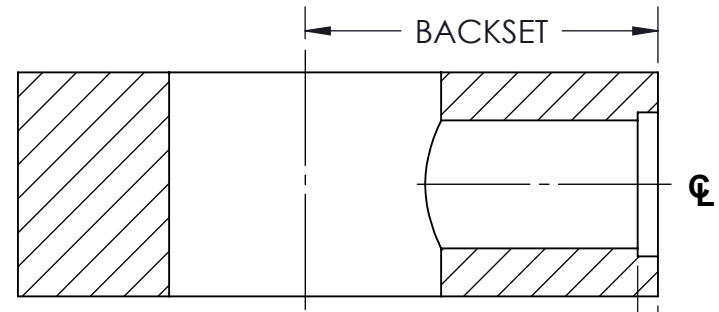


**BEVELED EDGE DETAIL**

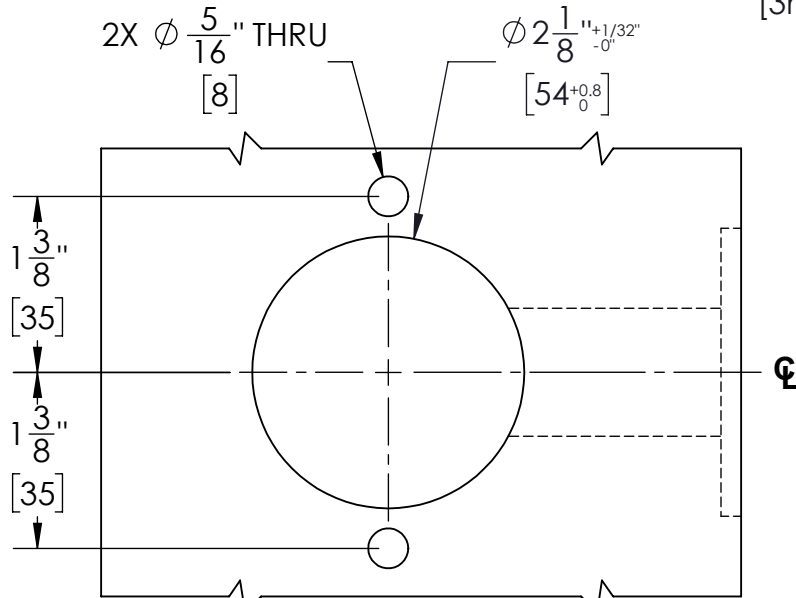
$\frac{5}{32} \text{ }^{+1/64}_{-0} \text{ }^{\prime\prime}$   
[4<sup>+0.4</sup><sub>0</sub>]

$\frac{1}{8} \text{ }^{\prime\prime}$  OVER 2" BEVEL  
[3mm OVER 51mm]

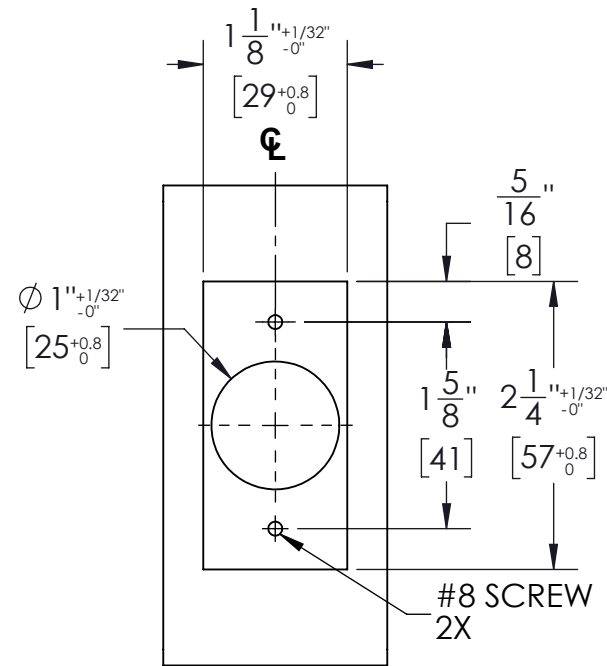


**FLAT EDGE DETAIL (OPTIONAL)**

$\frac{5}{32} \text{ }^{+1/64}_{-0} \text{ }^{\prime\prime}$   
[4<sup>+0.4</sup><sub>0</sub>]



**DOOR FACE DETAIL**



**DOOR EDGE DETAIL**

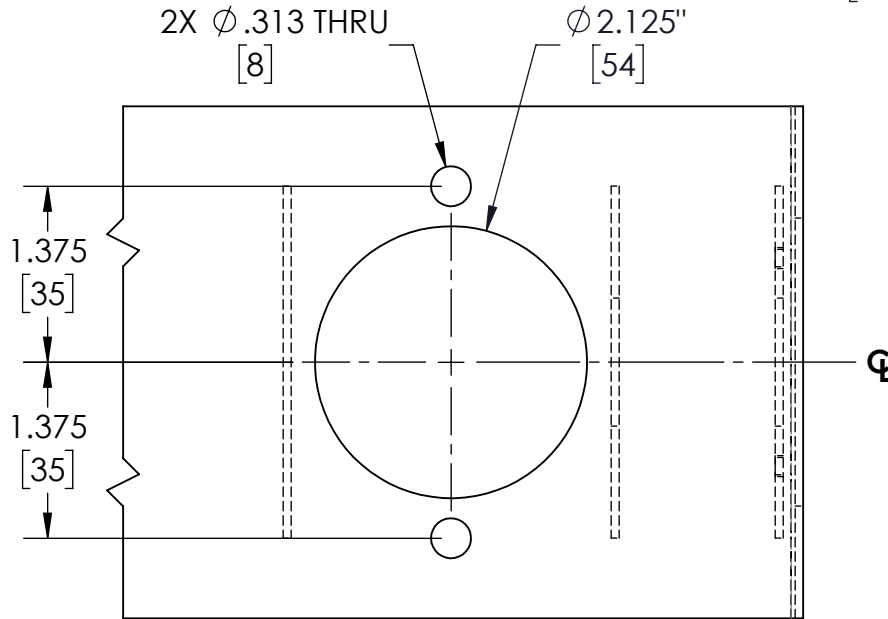
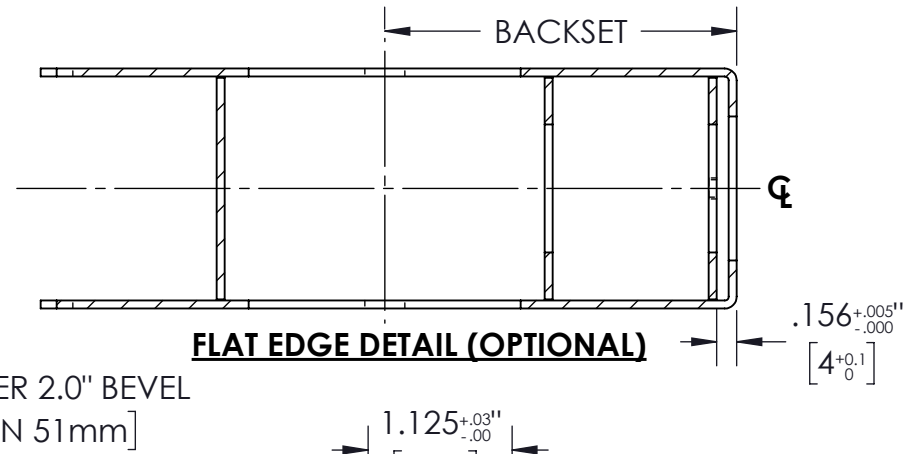
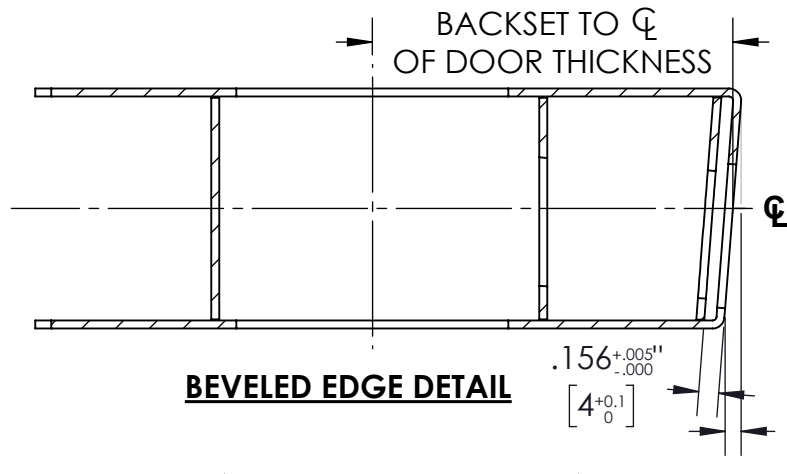
**NOTES:**

1. DRAWING IS NOT TO SCALE.
2. DIMENSIONS ARE IN INCHES/[MM].
3. FOR LEVER LOCKS ONLY. (DO NOT USE ON KNOB LOCKS)

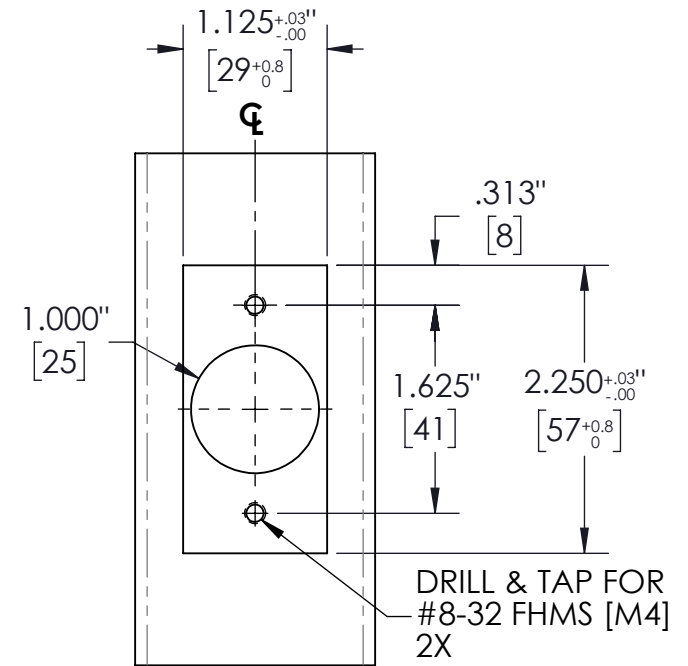
**WOOD DOORS FOR (LEVER ONLY):**  
C500, CL700, C800 SERIES  
FACE PLATE 1-1/8" FLAT OR BEVELED



DORMA USA, INC.  
DORMA DRIVE  
REAMSTOWN,  
PA 17567  
800 523 8483



**DOOR FACE DETAIL**



**DOOR EDGE DETAIL**

**NOTES:**

1. DRAWING IS NOT TO SCALE.
2. DIMENSIONS ARE IN INCHES/[MM].
3. FOR LEVER LOCKS ONLY. (DO NOT USE ON KNOB LOCKS)

**METAL DOORS FOR (LEVER ONLY):**  
 C500, CL700, C800 SERIES  
 FACE PLATE 1-1/8" FLAT OR BEVELED