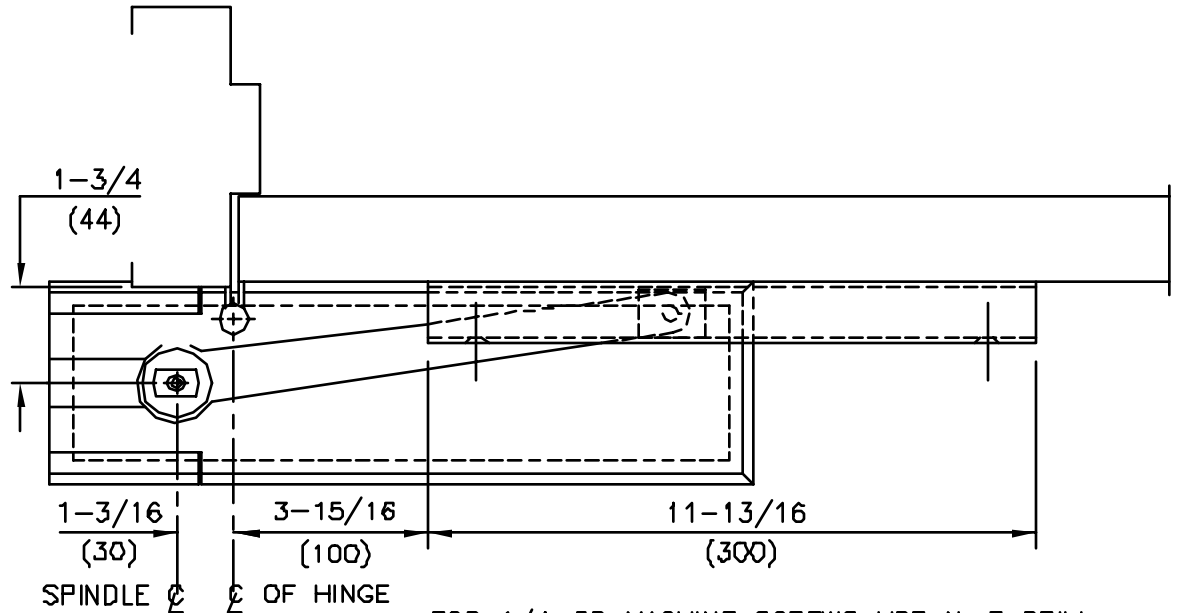
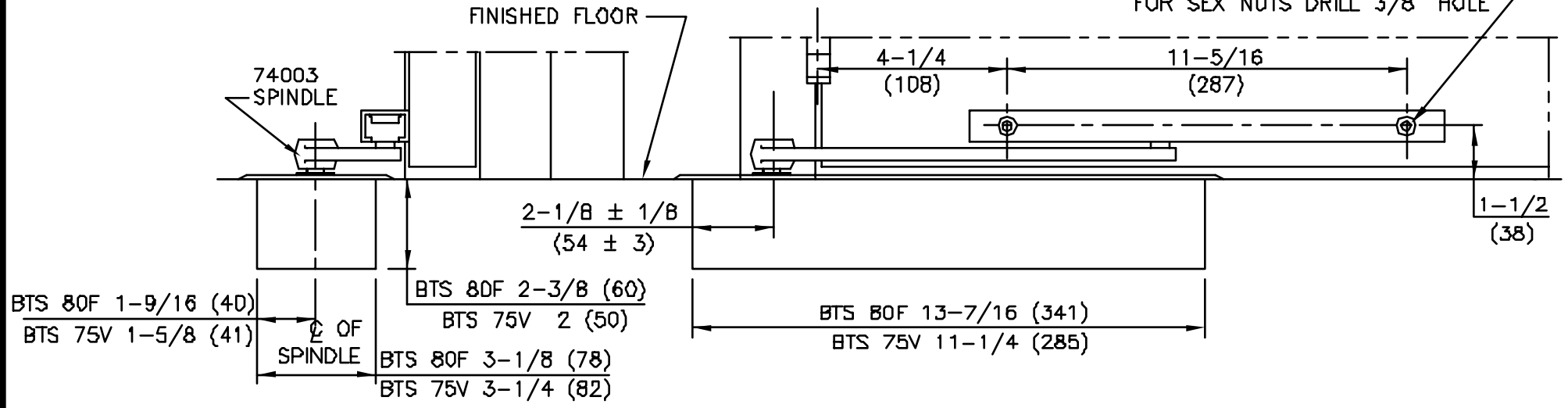


No.	REVISIONS	DATE
-----	-----------	------

- NOTE:
1. RIGHT HAND DOOR SHOWN.
  2. DO NOT SCALE DRAWING.
  3. DIMENSIONS ARE IN INCHES/(MM).
  4. FOR THRESHOLD APPLICATIONS, USE SPINDLE 74012 AND MEASURE FROM TOP OF THRESHOLD FOR TRACK LOCATION, (1/2" THRESHOLD ONLY).
  5. MAXIMUM DEGREE OF OPENING 145°. FOR DOORS OPENING OVER 145°, AN AUXILLIARY STOP MUST BE INSTALLED.
  6. DOOR HUNG ON 4-1/2" WIDE BUTT HINGES.
  7. SEX NUTS RECOMMENDED FOR ATTACHMENT OF COMPONENTS ON UNREINFORCED, COMPOSITE OR LABELED FIRE DOORS.



FOR 1/4-20 MACHINE SCREWS USE No.7 DRILL  
 FOR WOOD SCREWS USE 5/32" DRILL  
 TWO (2) HOLES IN DOOR FOR CHANNEL  
 FOR SEX NUTS DRILL 3/8" HOLE



FLOOR CLOSER MODELS: BTS 75V/IF, BTS 80/IF WITH 7451N SLIDE ARM  
 (PULL SIDE INSTALLATION)  
 TRACK SURFACE APPLIED TO DOOR  
 FOR USE ON NON-RATED OR UP TO 3 HR. RATED DOORS



DORMA Architectural Hardware  
 REAMSTOWN, PENNSYLVANIA 17567  
 TEMPLATE No. BTS-82