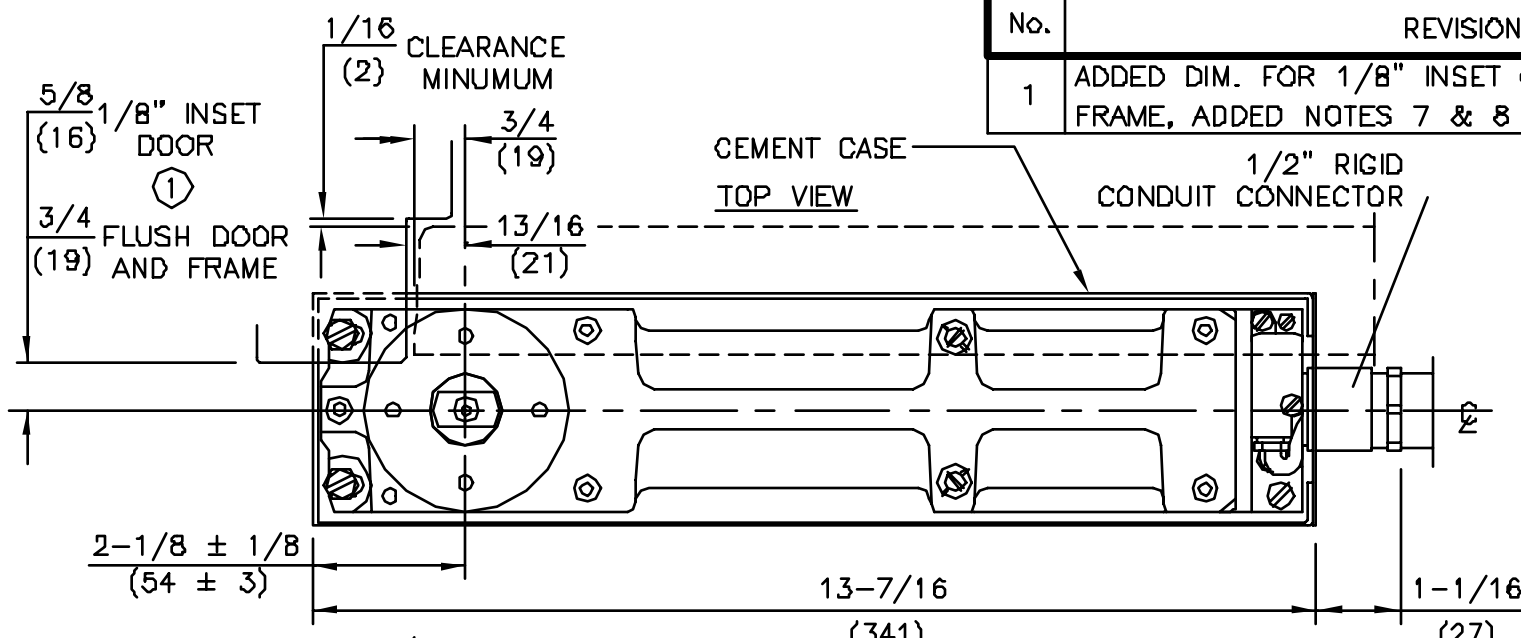
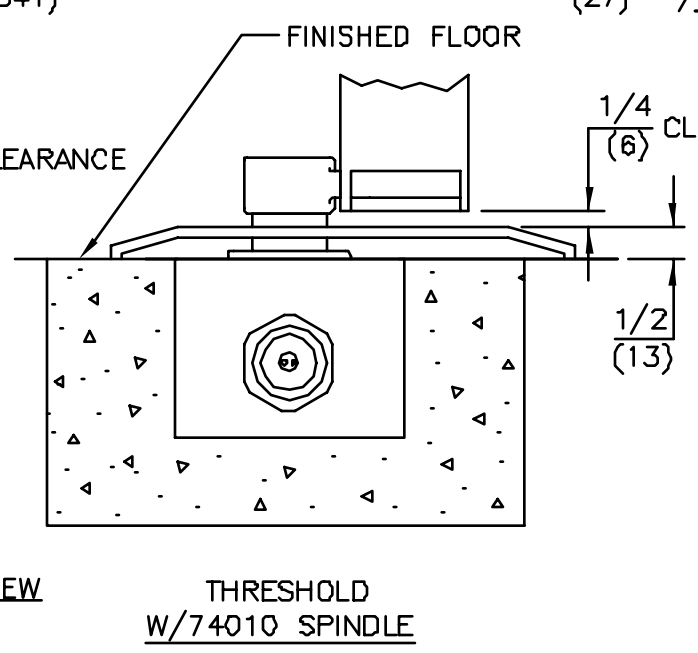
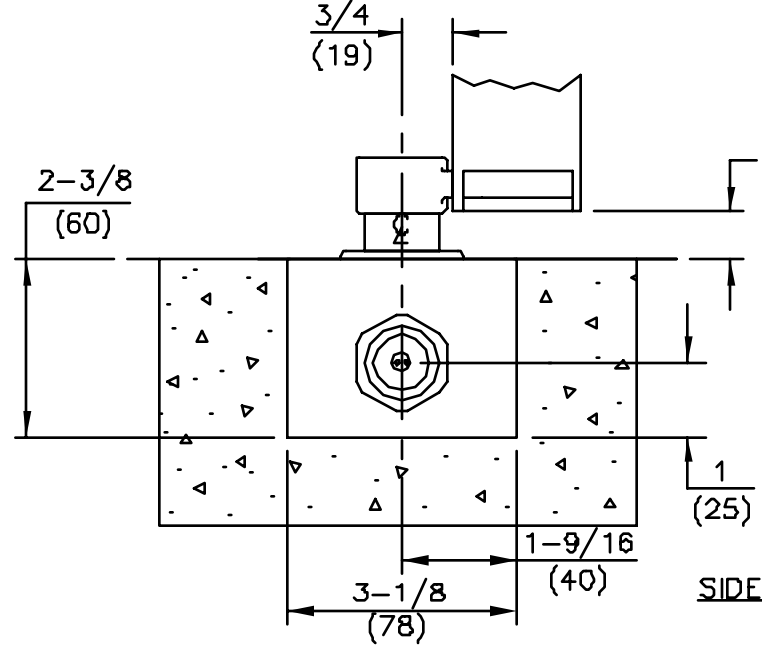


No.	REVISIONS	DATE
1	ADDED DIM. FOR 1/8" INSET OR FLUSH DOOR & FRAME, ADDED NOTES 7 & 8	3/18/92



- NOTES
1. DO NOT SCALE DRAWING.
  2. TOP OF CEMENT CASE MUST BE FLUSH WITH FINISH FLOOR LINE.
  3. CEMENT CASE MUST BE LEVEL AND PARALLEL TO FRAME.
  4. INSTALL CEMENT CASE WITH CLOSER CENTERED IN CASE.
  5. 1/2" RIGID CONDUIT BY OTHERS.
  6. 1/8" INSET INSTALLATION SHOWN.
  7. DIMENSIONS ARM IN INCHES / (MM).



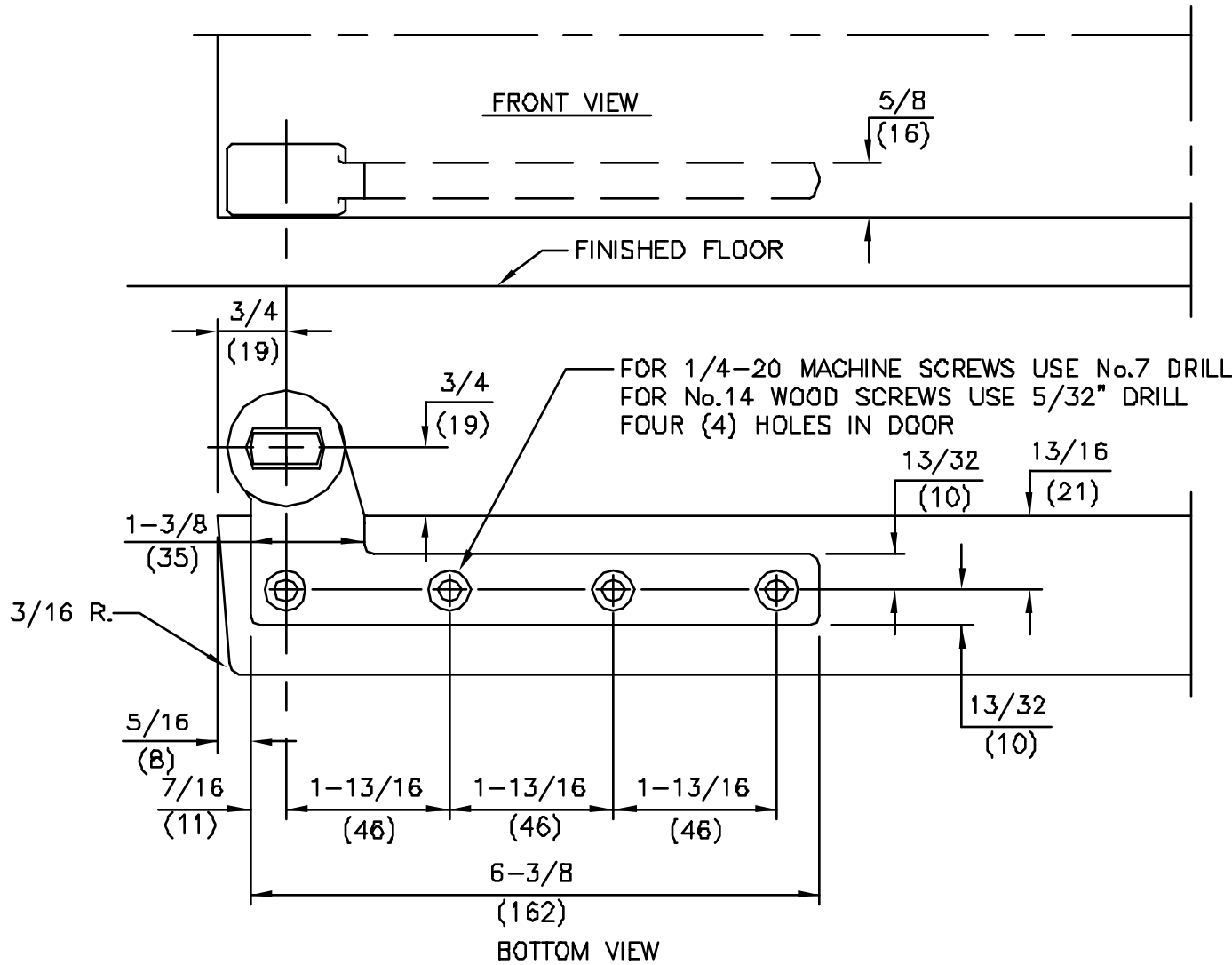
SPINDLE NO.	CLEARANCE
74003	5/16"
74005	1/2"
74007	5/8"
(STD.)74010	3/4"
74012	13/16"
74015	7/8"
74020	1-1/8"
74025	1-5/16"
74030	1-1/2"
74035	1-11/16"
74040	1-7/8"
74045	2-1/16"
74050	2-5/16"

FLOOR CLOSER MODELS: BTS 80EMB/D, BTS 80EMB/E, BTS 80EMB/F AND  
 BTS 80EMB/L 3/4" OFFSET  
 CEMENT CASE PLACEMENT



DORMA Architectural Hardware  
 REAMSTOWN, PENNSYLVANIA 17567  
 TEMPLATE No. BTS-58 ①

No.	REVISIONS	DATE



**NOTES**

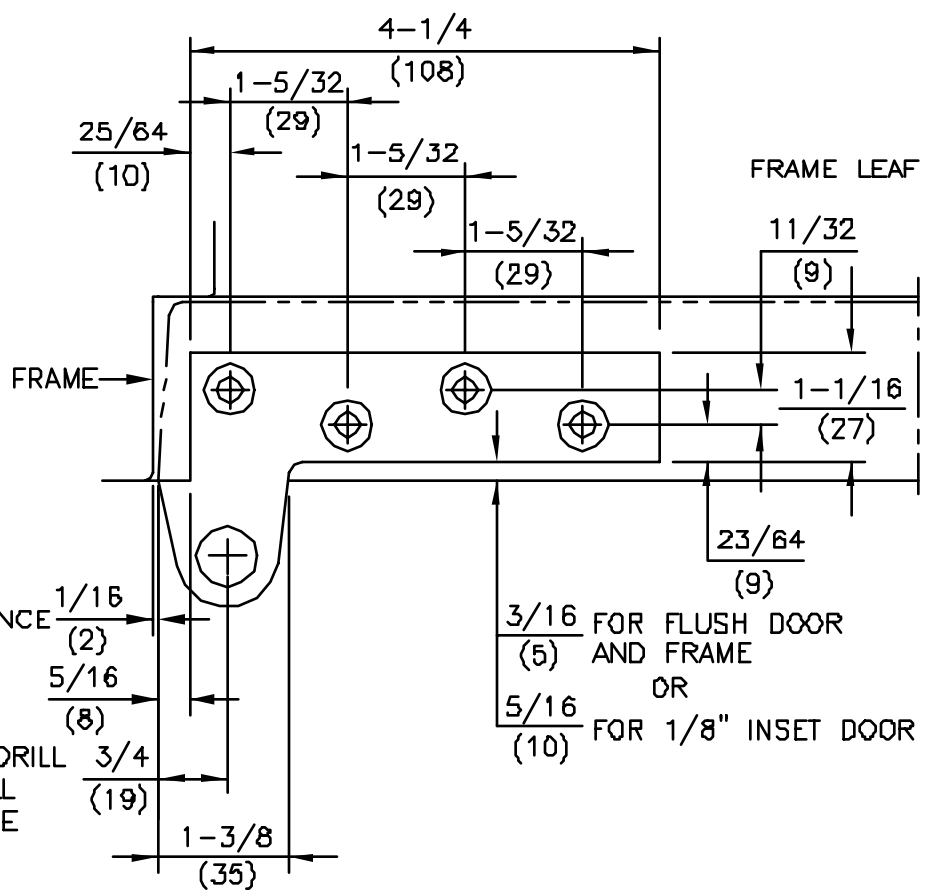
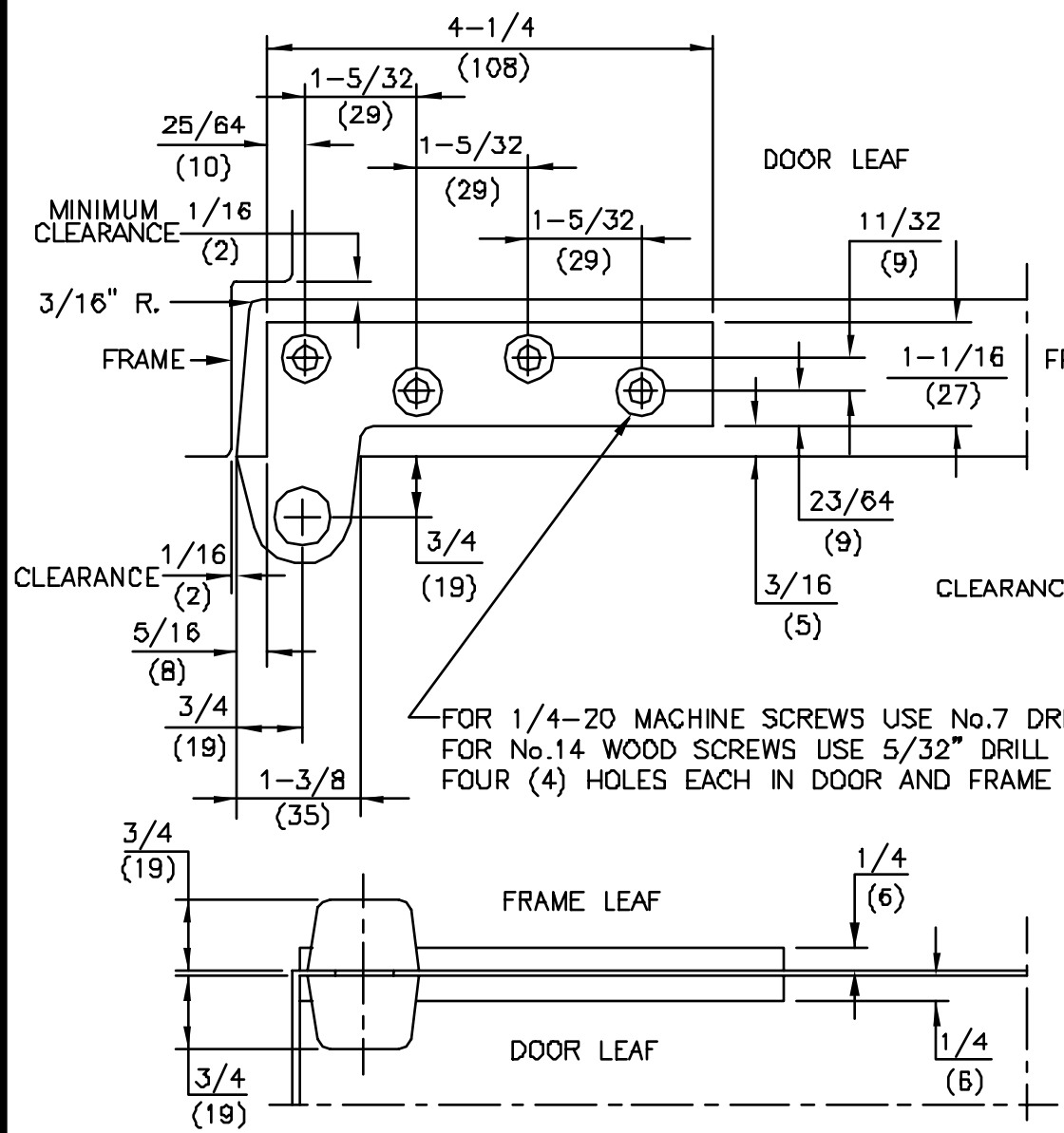
1. DO NOT SCALE DRAWING.
2. DIMENSIONS ARE IN INCHES/(MM).
3. RIGHT HAND DOOR SHOWN.
4. BEVEL HEEL EDGE OF DOOR 1/8" IN 2".
5. ALL NECESSARY REINFORCEMENT FOR ARM BY OTHERS.

ITEM No. 75323  
 3/4" OFFSET STANDARD BOTTOM ARM  
 FOR 3 HR. RATED DOORS  
 FOR USE WITH BTS 75/80 FLOOR CLOSERS



DORMA Architectural Hardware  
 REAMSTOWN, PENNSYLVANIA 17567  
 TEMPLATE No. BTS-50

No.	REVISIONS	DATE



FOR 1/4-20 MACHINE SCREWS USE No.7 DRILL  
 FOR No.14 WOOD SCREWS USE 5/32" DRILL  
 FOUR (4) HOLES EACH IN DOOR AND FRAME

3/16 FOR FLUSH DOOR AND FRAME  
 OR  
 5/16 FOR 1/8" INSET DOOR

- NOTES
1. DO NOT SCALE DRAWING.
  2. DIMENSIONS ARE IN INCHES/(MM).
  3. RIGHT HAND DOOR SHOWN.
  4. BEVEL HEEL EDGE OF DOOR 1/8" IN 2".
  5. ALL NECESSARY REINFORCING FOR PIVOT BY OTHERS.
  6. FLUSH DOOR PORTION SHOWN.

ITEM No. [75120, 75122, 75130, 75133, 75120A, 75122A, 75133A (DOOR FLUSH WITH FRAME) NON-HANDED], [75120 5/8, 75122 5/8, 75133 5/8, 75120A 5/8, 75122A 5/8, 75133A 5/8 (DOOR INSET 1/8" FROM FRAME) HANDED] 3/4" OFFSET FULL MORTISE TOP PIVOT

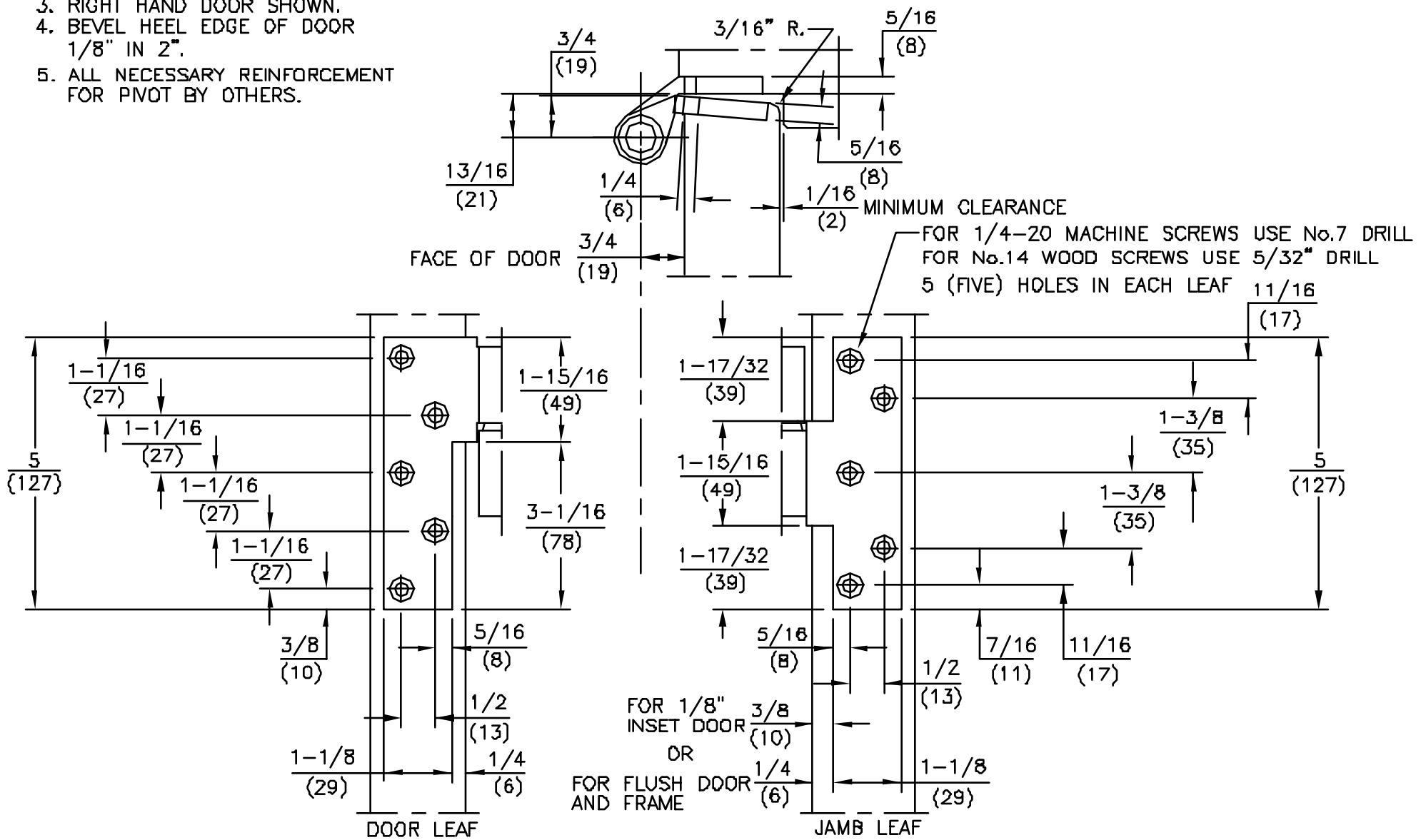


DORMA Architectural Hardware  
 REAMSTOWN, PENNSYLVANIA 17567  
 TEMPLATE No. BTS-65

No.	REVISIONS	DATE

**NOTES**

1. DO NOT SCALE DRAWING.
2. DIMENSIONS ARE IN INCHES/(MM).
3. RIGHT HAND DOOR SHOWN.
4. BEVEL HEEL EDGE OF DOOR 1/8" IN 2".
5. ALL NECESSARY REINFORCEMENT FOR PIVOT BY OTHERS.



ITEM No. 75220, 75222, 75230, 75233, 75220A, 75222A, 75233A  
 3/4" OFFSET FULL MORTISE  
 INTERMEDIATE PIVOT (HANDED)



DORMA Architectural Hardware  
 REAMSTOWN, PENNSYLVANIA 17567  
 TEMPLATE No. BTS-64