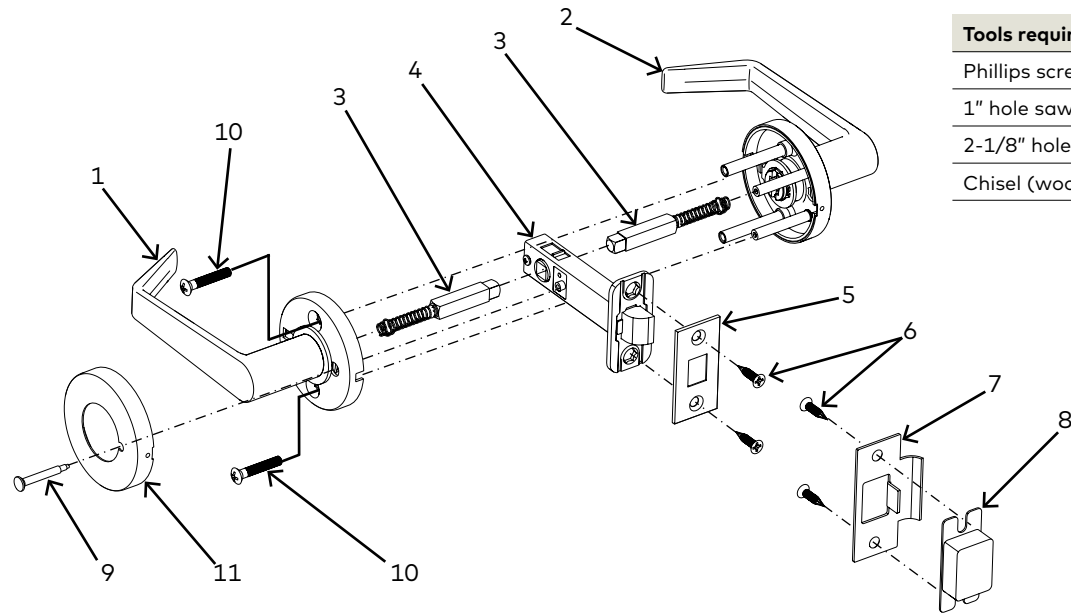


T900 Tubular Lock

- 1 - INSIDE LEVER ASSEMBLY
- 2 - OUTSIDE LEVER ASSEMBLY
- 3 - SPINDLE/SPRING (2)
- 4 - LATCHBOLT ASSEMBLY
- 5 - LATCH FACEPLATE
- 6 - LATCH/STRIKE SCREWS
- 7 - STRIKE
- 8 - DUST BOX
- 9 - LOCKING PIN (T940 ONLY)
- 10 - MOUNTING SCREWS
- 11 - INSIDE ROSE

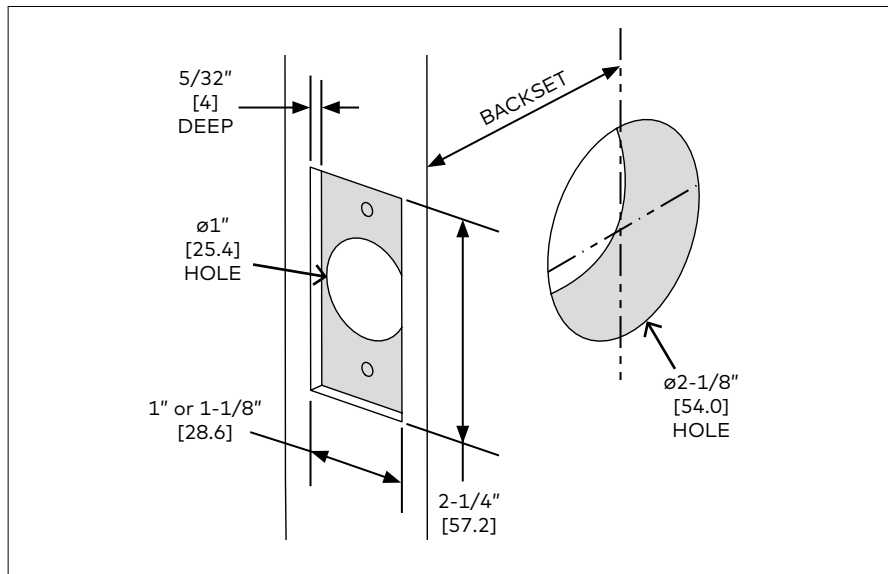


Tools required
Phillips screwdriver
1" hole saw
2-1/8" hole saw
Chisel (wood only)

1 Tubular lock installation

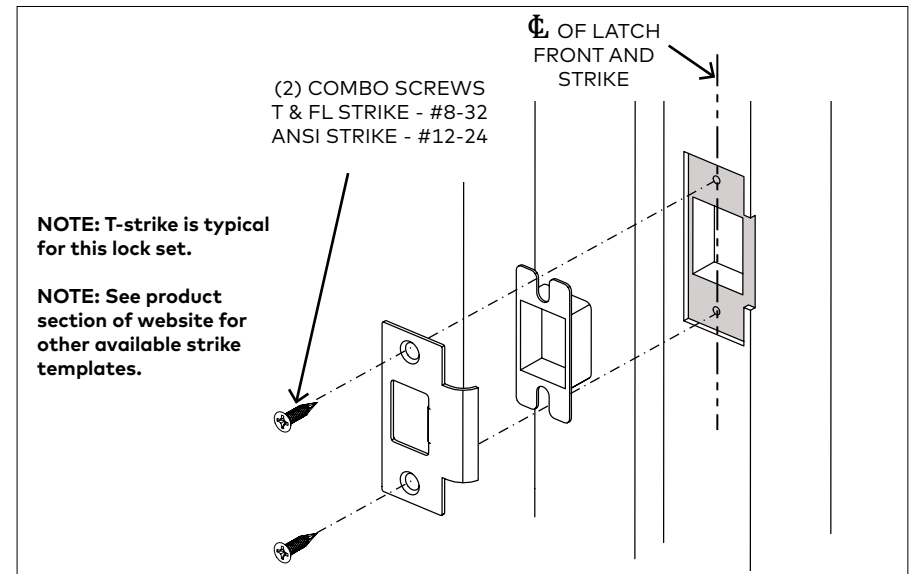
1.1 Prepare door - use included template

Fig 1



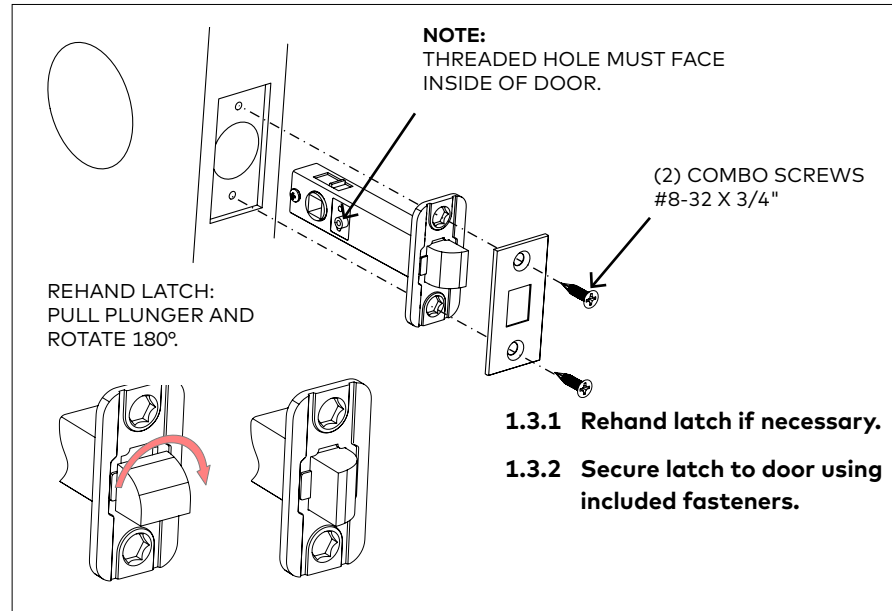
1.2 Prepare frame for strike plate

Fig 2



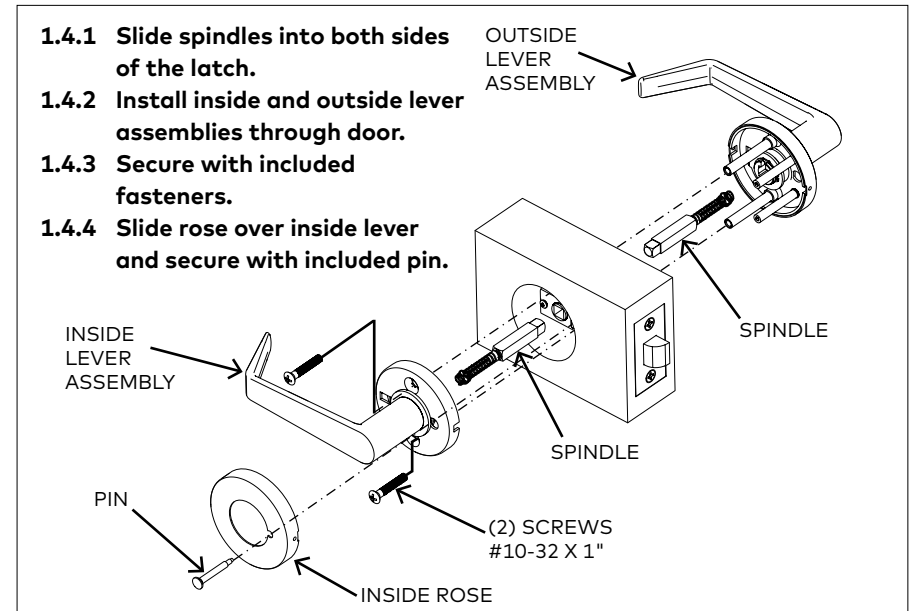
1.3 Secure latch to door

Fig 3



1.4 Secure lever to door

Fig 4



2 Dummy trim installation

Fig 1

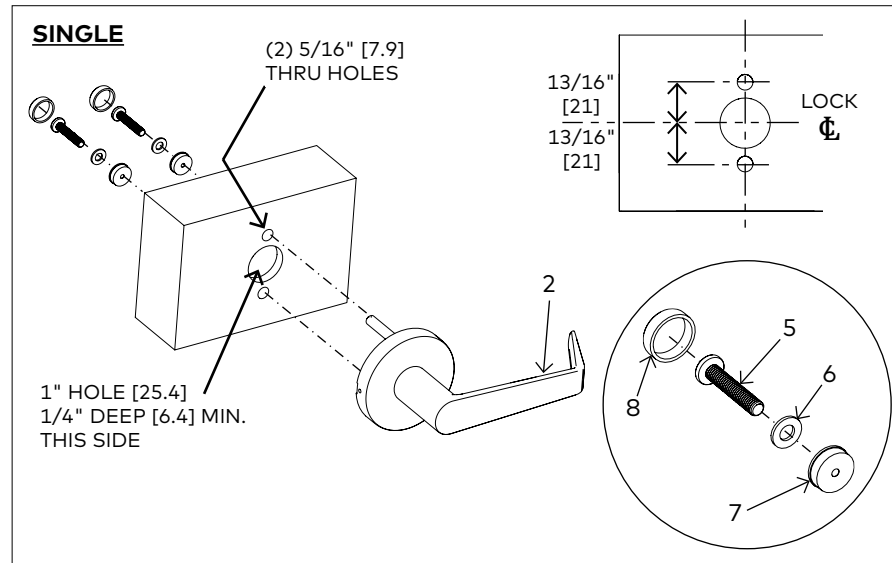


Fig 2

