

M9000 MORTISE LOCK

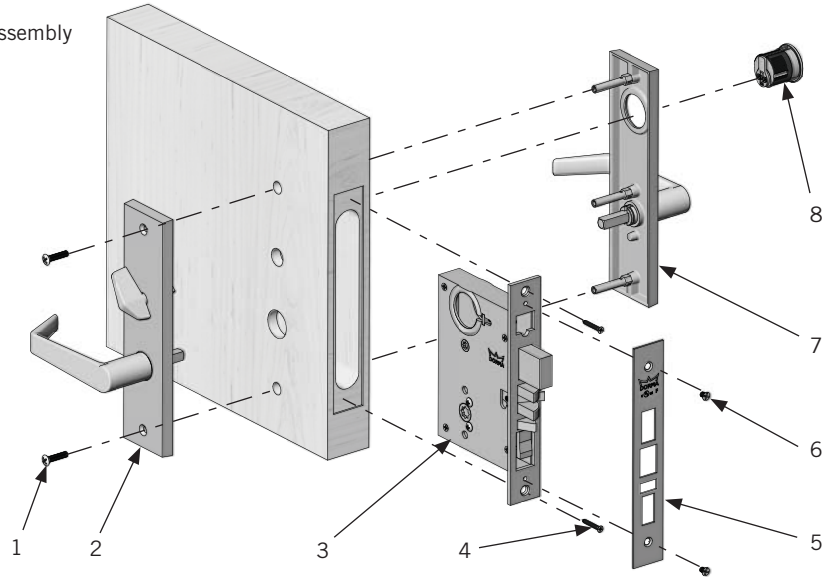
Installation Instructions



Overall Exploded View

M9000 with H escutcheon trim part list

- 1 - 10-32x1-1/4" screws
- 2 - Inside escutcheon assembly
- 3 - Chassis
- 4 - 12-24x1" combo screws
- 5 - Armor plate
- 6 - 8-32x1/4" screws
- 7 - Outside escutcheon assembly
- 8 - Mortise cylinder

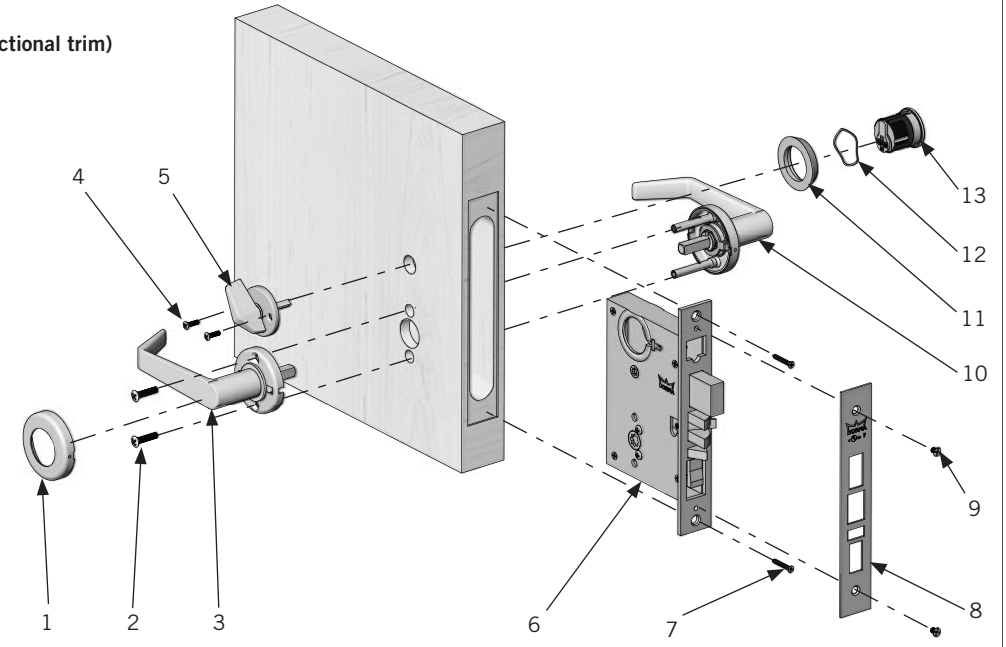


Tools required for installation

#2 Cross drive screwdriver

M9000 with rose part list (sectional trim)

- 1 - Inside rose
- 2 - 10-32x1-1/4" screws
- 3 - Inside rose assembly
- 4 - 6-32x3/8" screws
- 5 - Thumb turn
- 6 - Chassis
- 7 - 12-24x1" combo screws
- 8 - Armor plate
- 9 - 8-32x1/4" screws
- 10 - Outside rose assembly
- 11 - Cylinder ring
- 12 - Wave washer
- 13 - Mortise cylinder

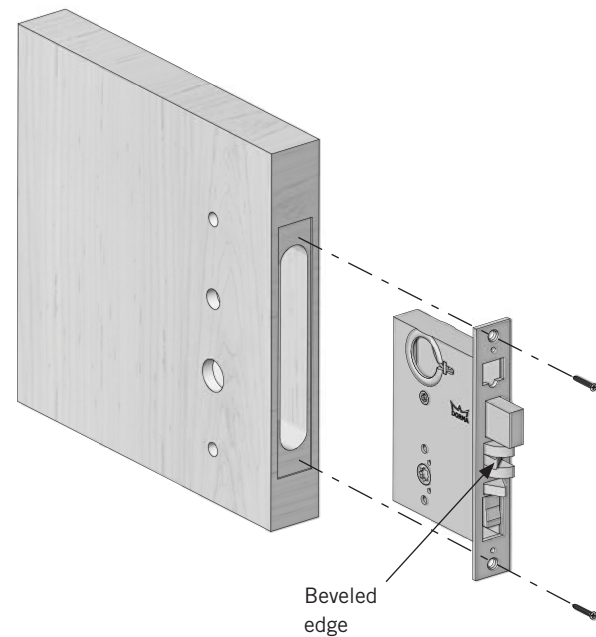


1. Install chassis

1.1 Place the chassis into the door edge.

⚠ Orient such that the beveled edge of the latch faces the door jamb.

1.2 Secure with two 12-24x1" combo screws.

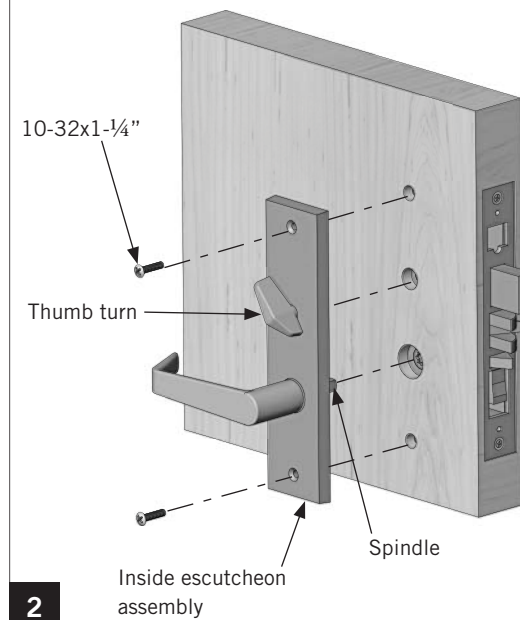


1

2. Install inside escutcheon or trim

2.1A Place the escutcheon against the face of the door and secure using two 10-32x1-1/4" screws.

⚠ Ensure that the spindle and thumb turn engage the mortise chassis.



2

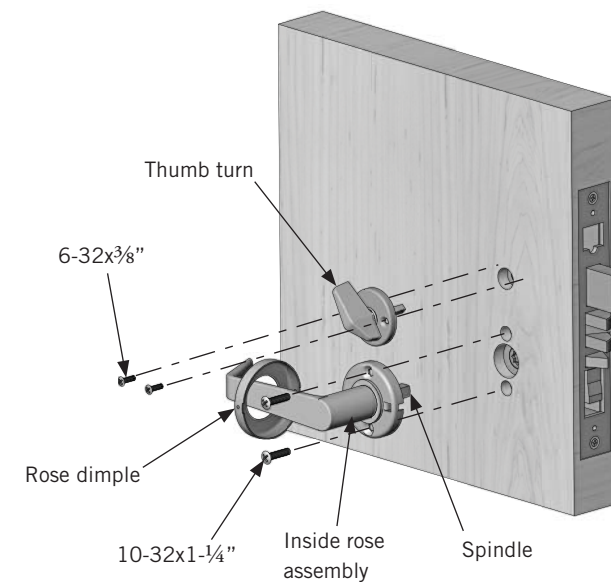
Inside rose trim

2.1B Place the inside lever assembly against the face of the door and secure using two 10-32x1-1/4" screws.

2.2B Press the rose onto the insert, oriented with the dimples on the sides.

2.3B Secure the thumb turn to the door using two 6-32x3/8" screw.

⚠ Ensure that the spindle and thumb turn engage the mortise chassis.



3. Install outside escutcheon or rose

Outside escutcheon trim

3.1A Place the outside escutcheon against the face of the door.

NOTE: Ensure that the spindle engages the mortise chassis.

3.2A Thread the cylinder into the outside escutcheon, oriented with the plug at bottom center.

NOTE: Ensure the cylinder face is flush with the escutcheon.

3.3A Tighten the cylinder in place using the cylinder retainer screws. See **FIGURE 1** in this step.

Outside rose trim

3.1B Slide the wave washer and cylinder ring over the cylinder.

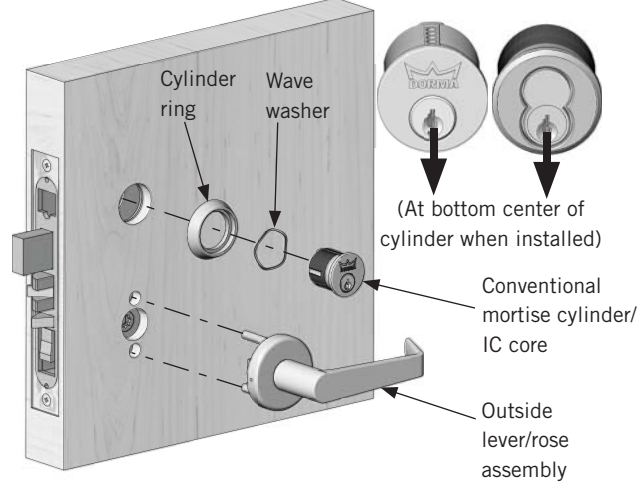
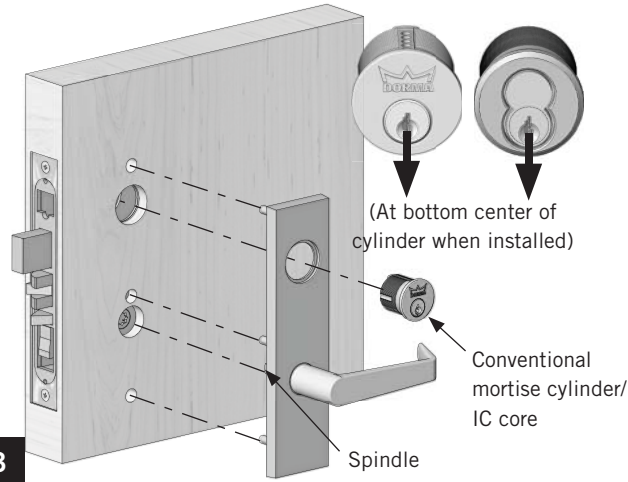
NOTE: Ensure that the spindle engages the mortise chassis.

3.2B Thread the cylinder into the face of the door, oriented with the plug at bottom center.

NOTE: Ensure the cylinder face is flush with the cylinder ring.

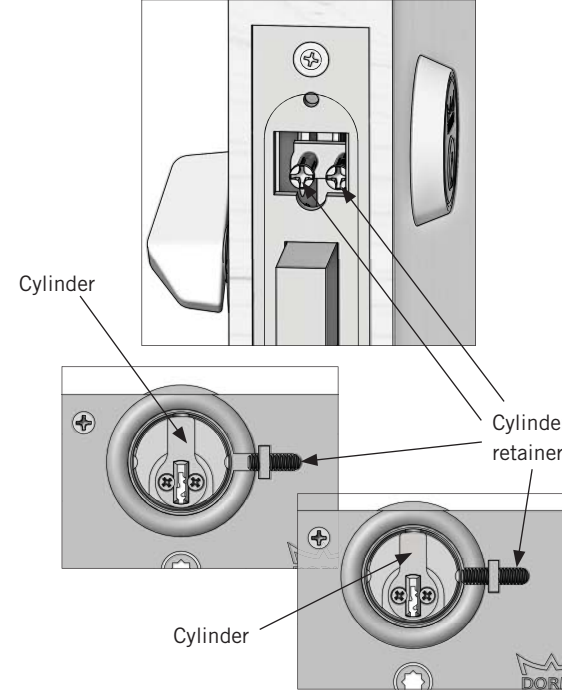
3.3B Place the outside lever/rose assembly into the face of the door.

3.4B Tighten the cylinder in place using the cylinder retainer screws. See **FIGURE 1** in this step.



NOTE: Anchor screws will press against the edge of the cylinder to hold it in place.

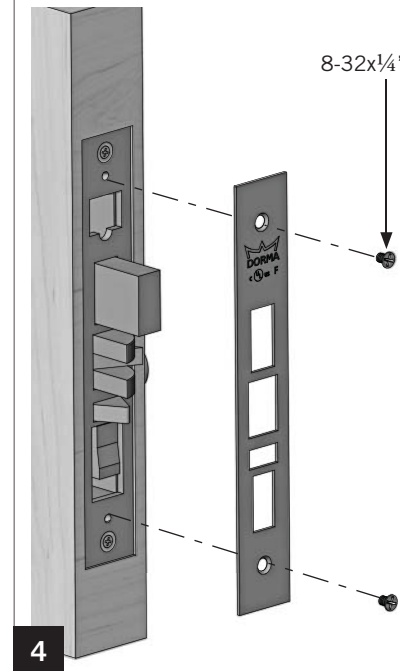
FIGURE 1



NOTE: Test door function and proper installation prior to securing the armor plate or closing the door.

4. Install armor plate

4.1 Secure the armor plate using two 8-32x1/4" screws.



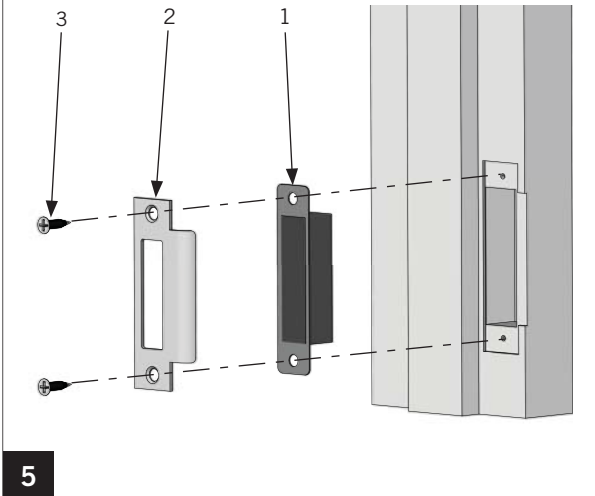
5. Install strikes

5.1 Insert the dust box then strike.

5.2 Secure each with two 12-24x1" combo-screws.

Strike part list

- 1 - Dust box
- 2 - Strike plate
- 3 - 12-24x1" combo-screws

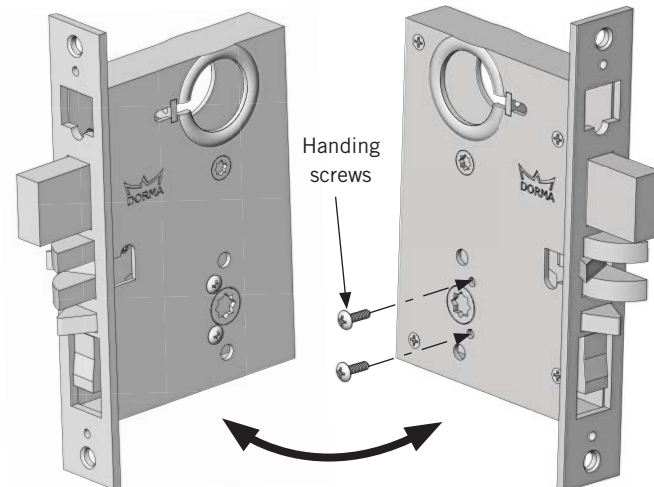
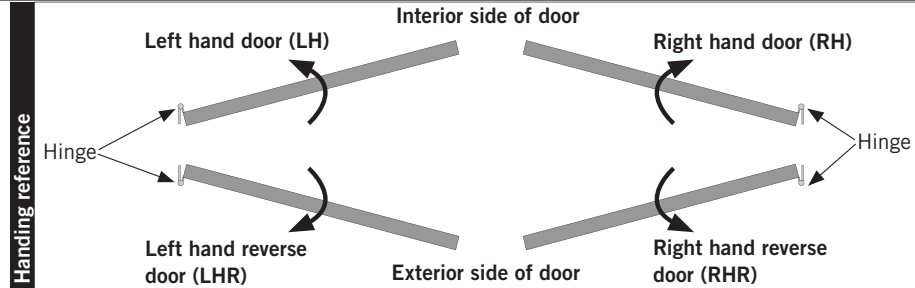


Handing instructions

1.1 Remove the two handing screws above and below the spindle hub.

1.2 Flip the chassis over and reinstall the two screws into the same location on the opposite side.

⚠ Be sure to alternate tightening each screw so the locking slide does not bind.



Reversing direction of latch

1.1 Remove the latch bolt set screw with the provided 3/32 allen key.

1.2 Remove the latch from the mortise lock.

1.3 Rotate the latch 180° and reinstall into the lock.

1.4 Reinstall the latch bolt set screw and tighten securely.

