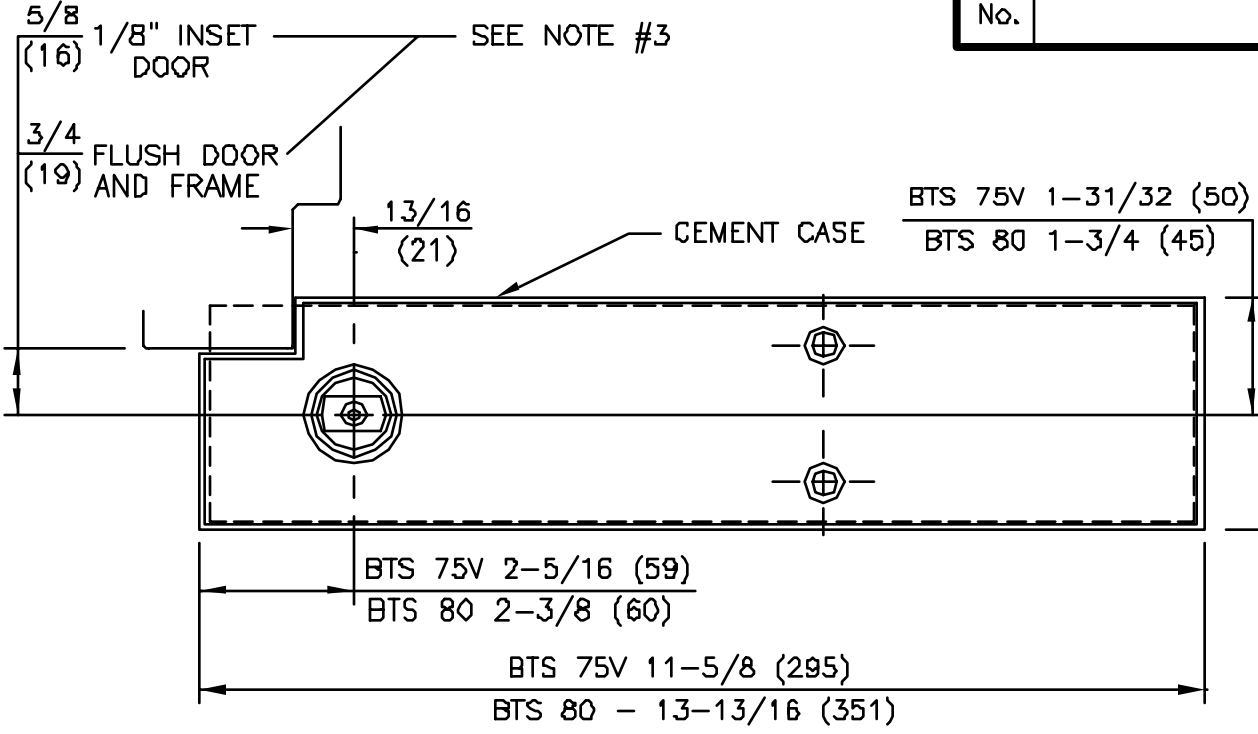
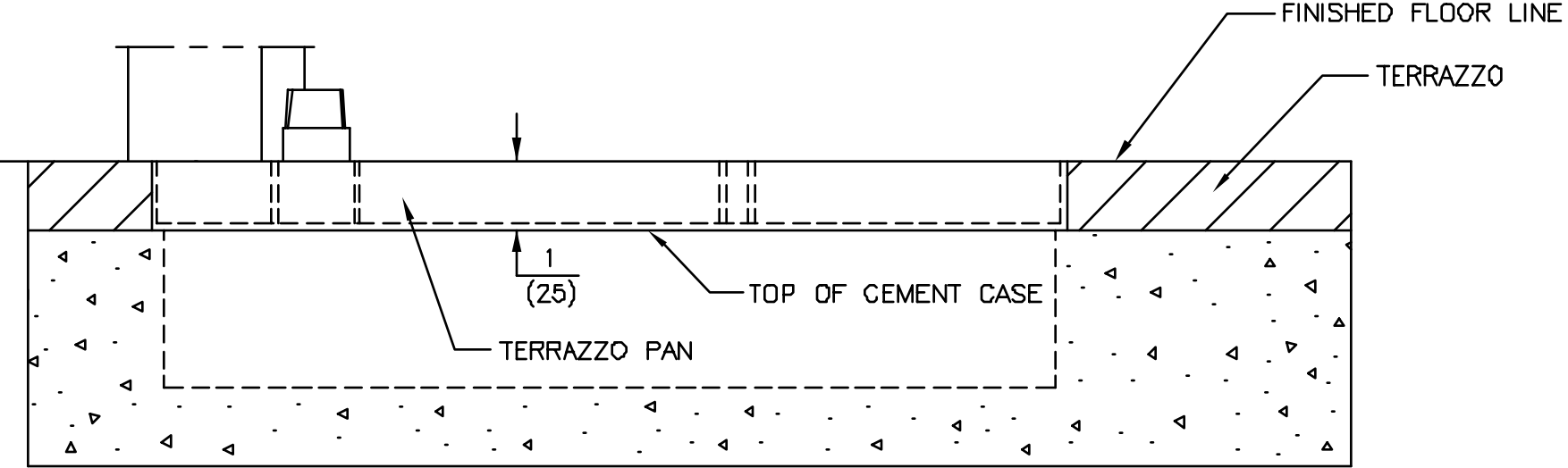


No.	REVISIONS	DATE
-----	-----------	------



- NOTES
- DO NOT SCALE DRAWING.
  - WHEN DETERMINING SPINDLE SIZE, ADD 1" TO CLEARANCE BETWEEN FINISHED FLOOR AND DOOR.
  - FOR CEMENT CASE LOCATION, REFER TO TEMPLATE BTS-78. INSTALL 1" LOWER THAN SHOWN TO ACCOMODATE TERRAZZO PAN.
  - DIMENSIONS FOR TERRAZZO PAN INCLUDE INSTALLATION SHIMS.
  - DIMENSIONS ARE IN INCHES/(MM).

BTS 75V 3-15/16 (100)  
BTS 80 3-1/2 (89)



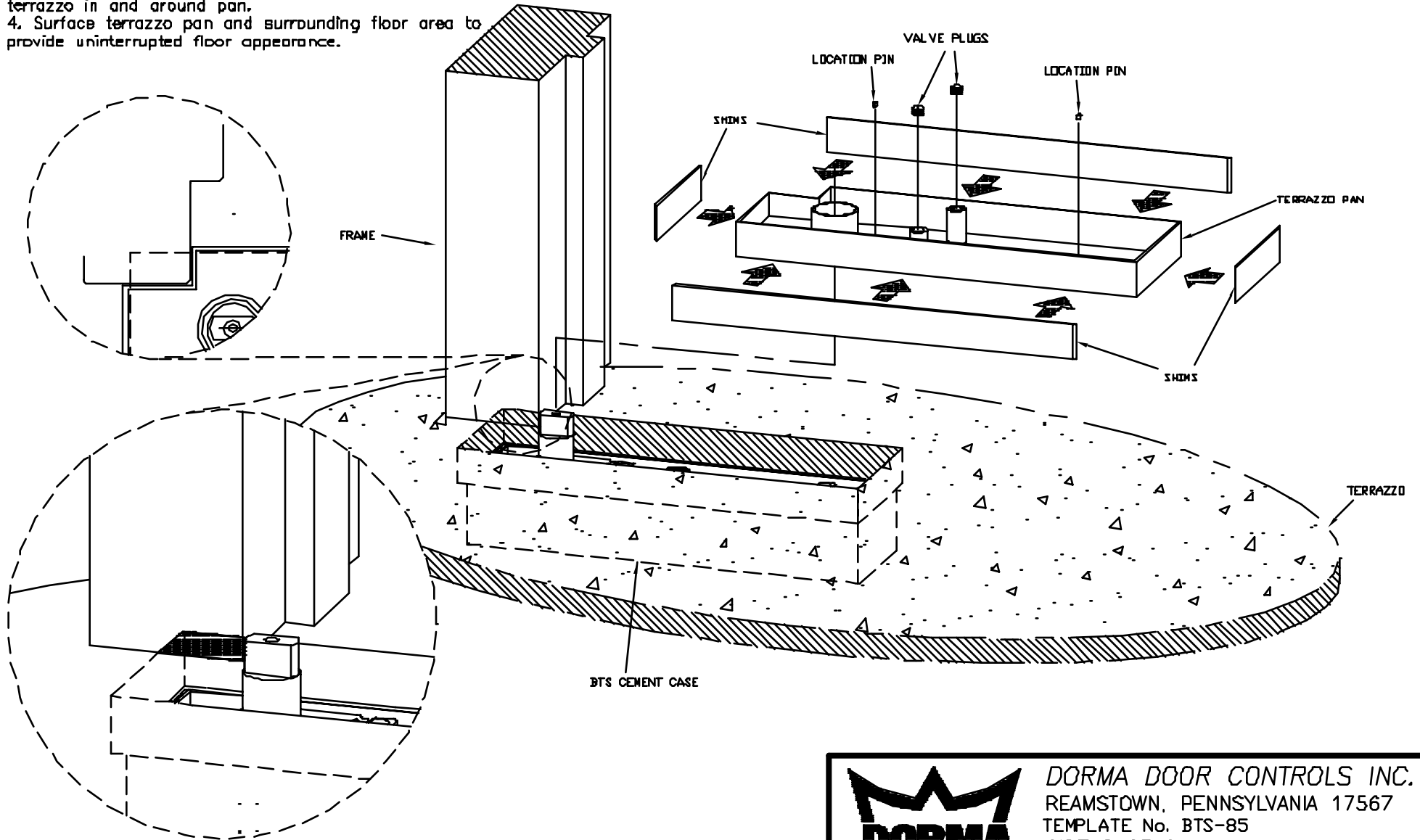
FLOOR CLOSER MODELS: BTS75V, BTS80  
3/4" OFFSET  
TERRAZZO PAN PREPARATION



DORMA Architectural Hardware  
REAMSTOWN, PENNSYLVANIA 17567  
TEMPLATE No. BTS-85  
SIDE No. 1 OF 2

## INSTRUCTION

1. Locate floor closer accurately in subfloor prior to installing terrazzo pan.
2. Install two location pins into base of pan. Install valve plugs into valve access tubes.
3. Place terrazzo pan onto floor closer. Place shims tightly against sides of terrazzo pan. (Shims must stay in place while pouring terrazzo flooring.) Carefully pour terrazzo in and around pan.
4. Surface terrazzo pan and surrounding floor area to provide uninterrupted floor appearance.



DORMA DOOR CONTROLS INC.  
REAMSTOWN, PENNSYLVANIA 17567  
TEMPLATE No. BTS-85  
SIDE 2 OF 2