

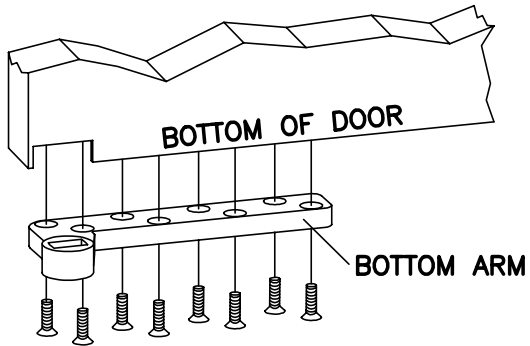
3/4" OFFSET LEAD LINED BOTTOM ARM (HD)



MODEL No.

1) Prepare door according to template.

Install bottom arm.

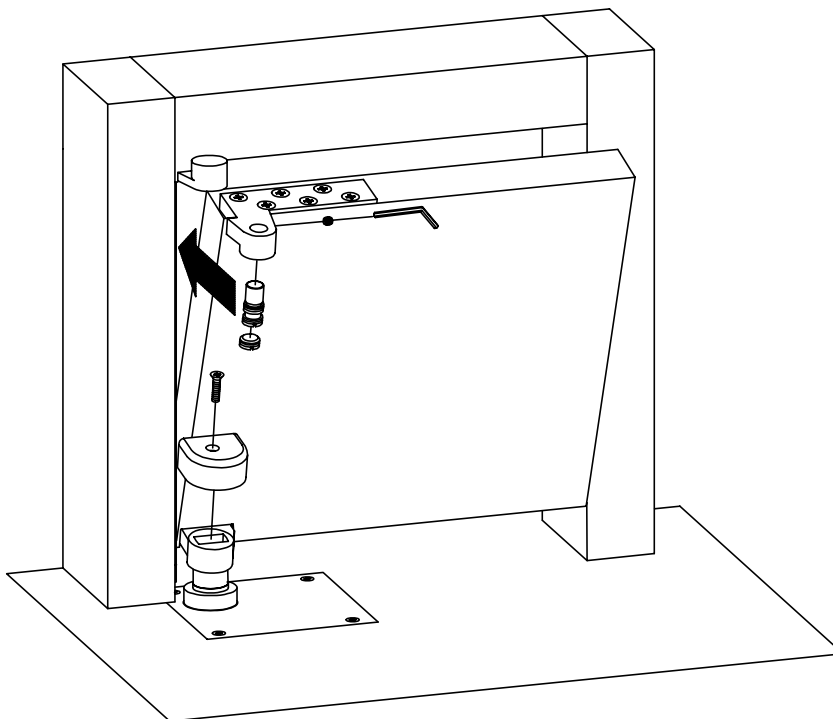


Install door.

2) Fasten arm to door.

- 75343
- 75343-2
- 75343-2 1/4
- 75343-2 1/2
- 75343-3
- LH RH

FINISH



3) Install door.

4) Attach cover cap with screw provided.