

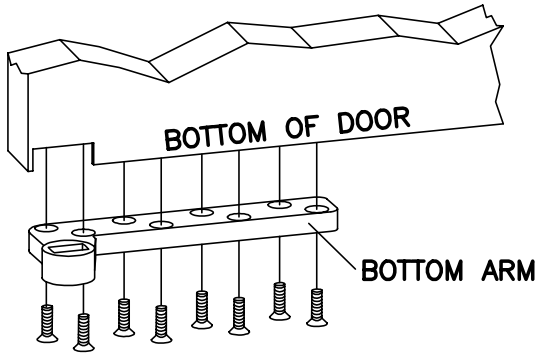
# 3/4" OFFSET LEAD LINED BOTTOM ARM



MODEL No.

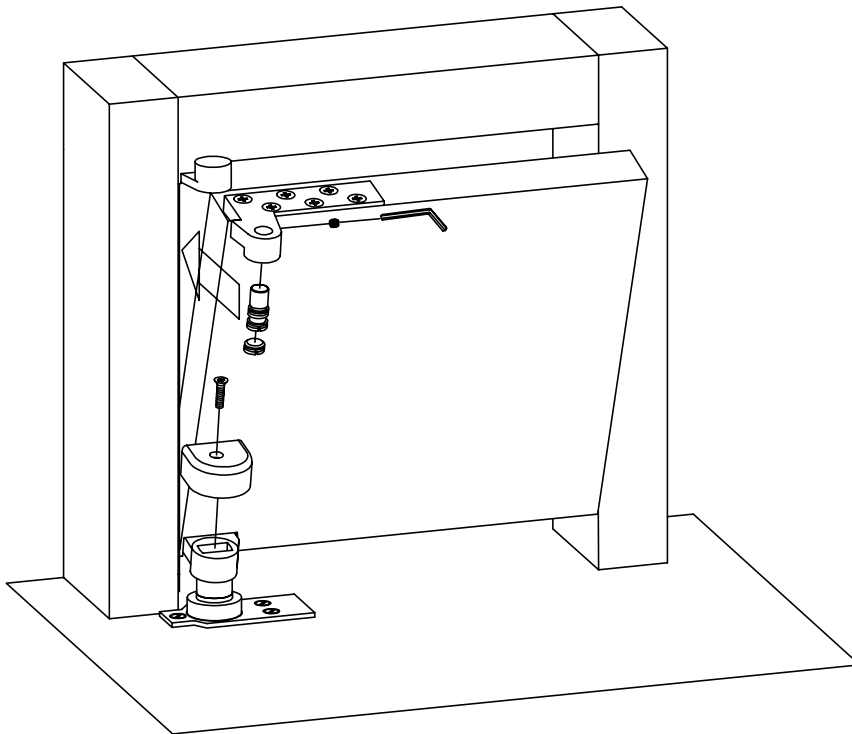
1) Prepare door according to template.

- 75343
- 75343-2
- 75343-2 1/4
- 75343-2 1/2
- 75343-3
- LH    RH



2) Fasten arm to door.

FINISH



3) Install door.

4) Attach cover cap with screw provided.