

# 1-1/2" OFFSET BOTTOM ARM

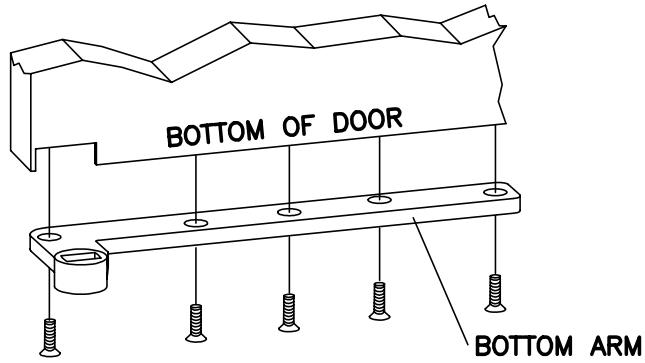


MODEL No.

1) Prepare door according to template.

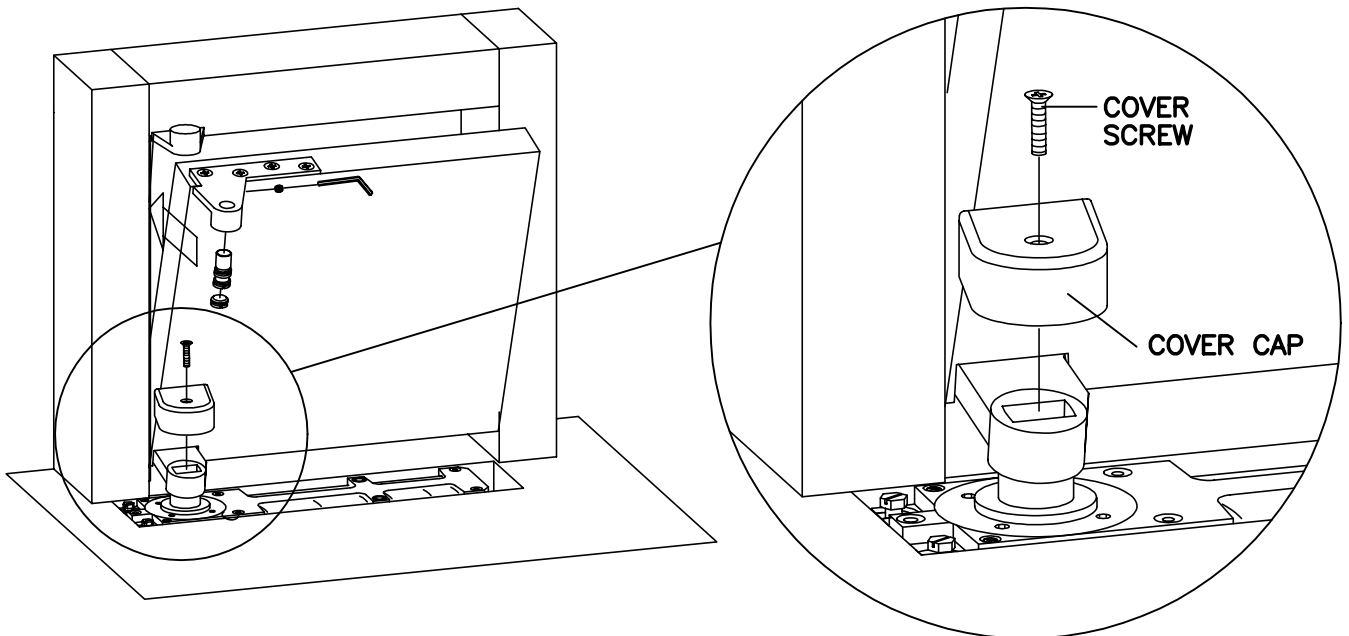
15323

LH  RH



2) Fasten arm to door.

FINISH



3) Install door.

4) Attach cover cap with screw provided.