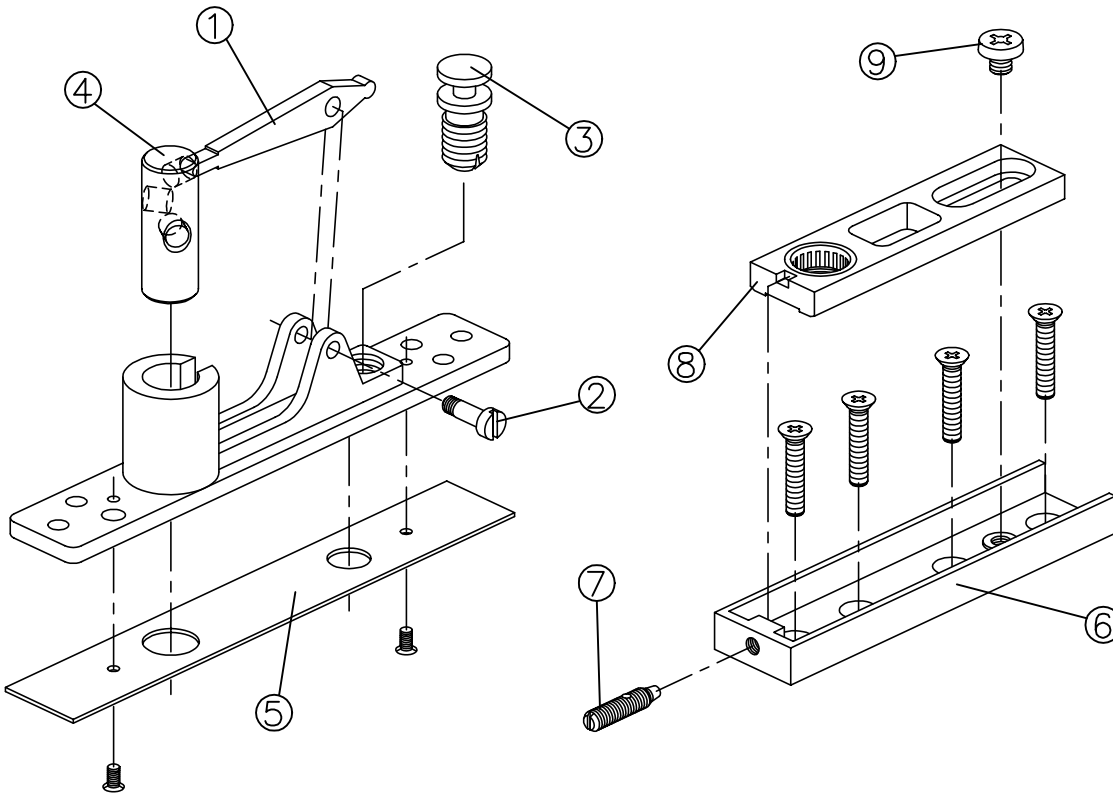


CENTER HUNG TOP PIVOT



MODEL No.

- 8062
- 8062 EXT PIN



FINISH

1. Determine the clearance between the door and header and adjust the projection of the pivot pin, if required. The pivot pin projection allows 1/8" clearance as shipped from the factory.
2. To change the projection of pivot pin or to install the (8062 EXT PIN) extended pivot pin, the following procedure is recommended:
 Remove the walking beam pivot screw (2) and push the pivot pin (4) out until the walking beam (1) is disengaged. Install extended pivot pin and engage walking beam into appropriate hole in pivot pin to obtain required projection. Be sure opposite end of walking beam is engaged in adjustment screw. (3) Reinstall walking beam pivot screw (2).
3. Retract pivot pin and install pivot into header. Install cover plate (5).
4. Fasten pivot channel (6) in top of door. Turn adjustment screw (7) approximately halfway into pivot channel. Place bearing insert (8) into pivot channel. Adjust pivot point accordingly. Lock bearing insert in place with set screw (9).
5. Install door and engage pivot pin by turning adjustment screw (3) clockwise.