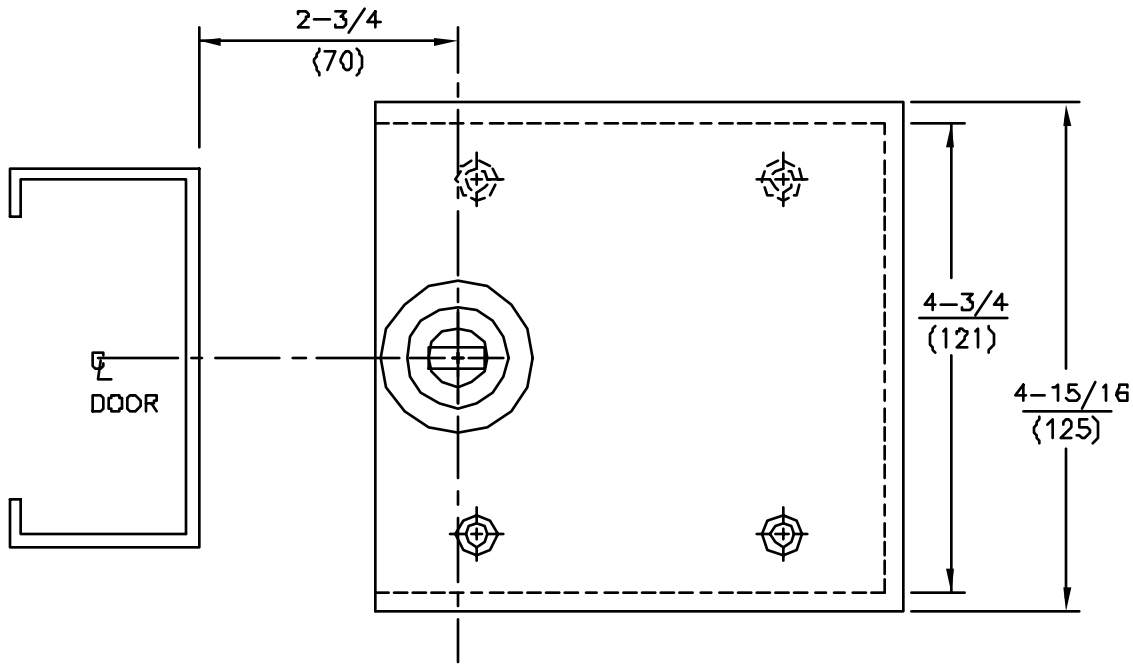


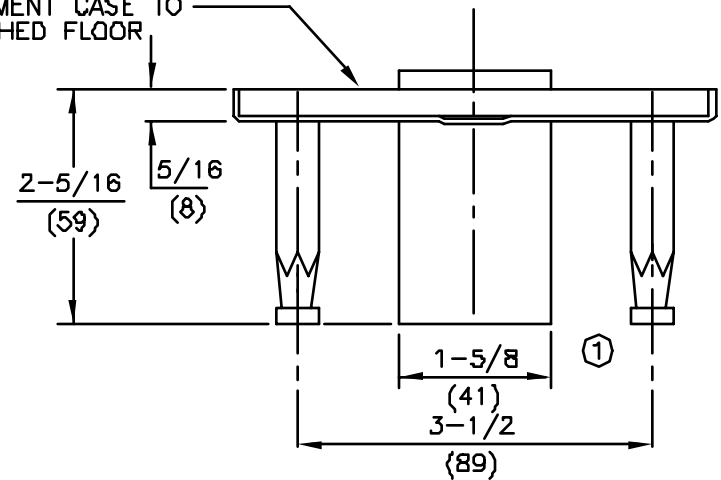
NOTES:

1. DO NOT SCALE DRAWING.
2. DIMENSIONS ARE IN INCHES\MM.
3. RIGHT HAND DOOR SHOWN.

No.	REVISIONS	DATE
1	REVISED DIMENSION	4/24/00

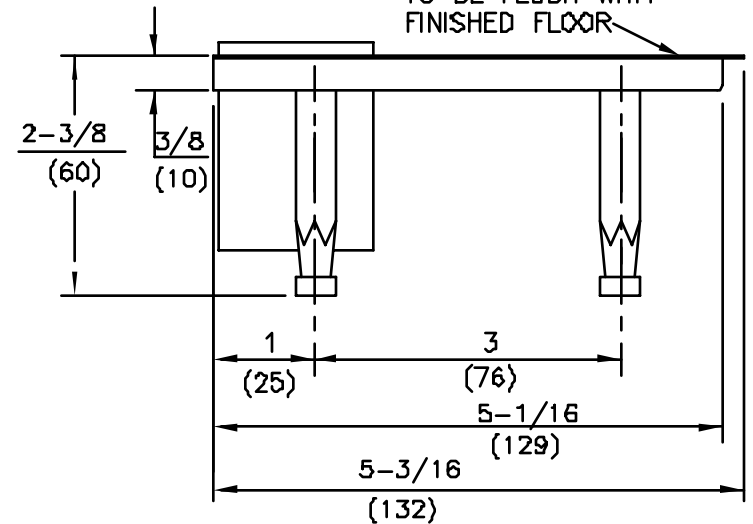


TOP SURFACE OF CEMENT CASE TO BE FLUSH WITH FINISHED FLOOR



WITH THRESHOLD

BASE COVER PLATE TO BE FLUSH WITH FINISHED FLOOR



WITHOUT THRESHOLD

ITEM No. 7471HD FLOOR BEARING
 CENTER HUNG HEAVY DUTY FLOOR BEARING INSTALLATION
 FOR USE WITH 7421 BOTTOM ARM



DORMA Architectural Hardware
 REAMSTOWN, PENNSYLVANIA 17567
 TEMPLATE No. LM-61 ①