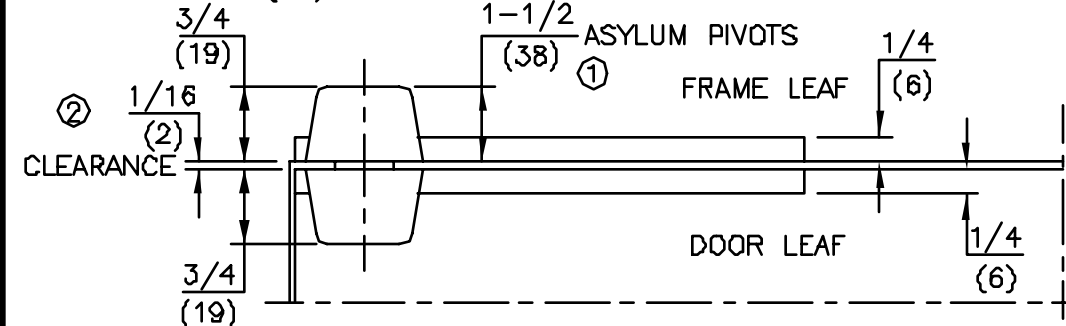
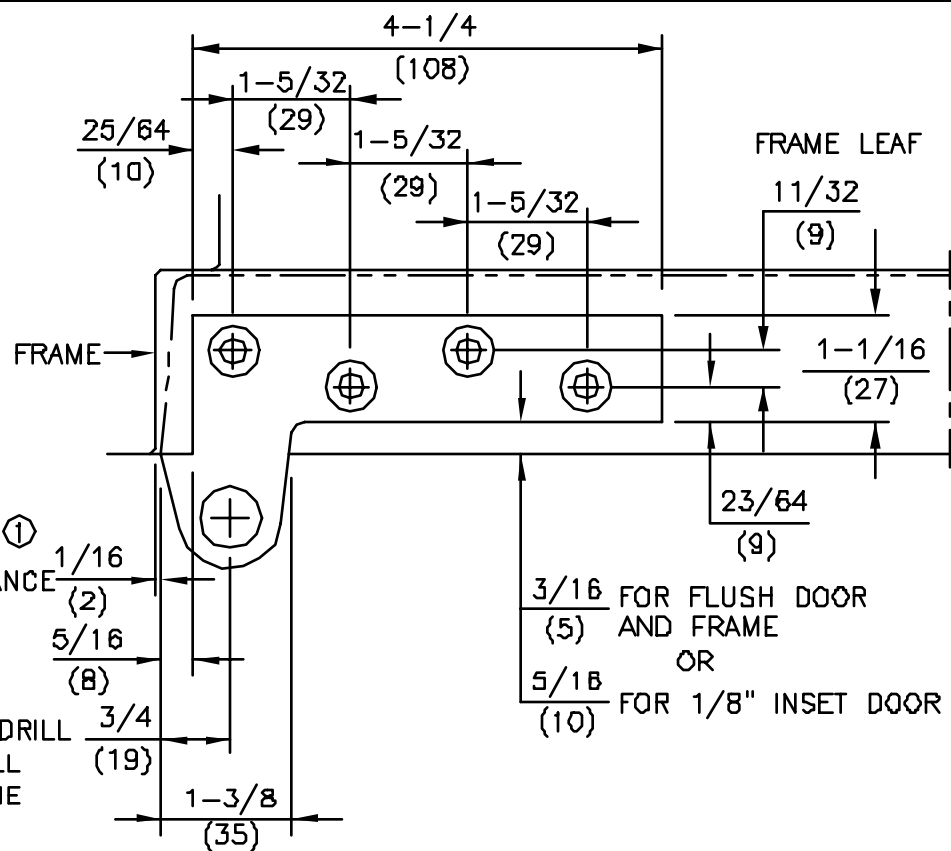
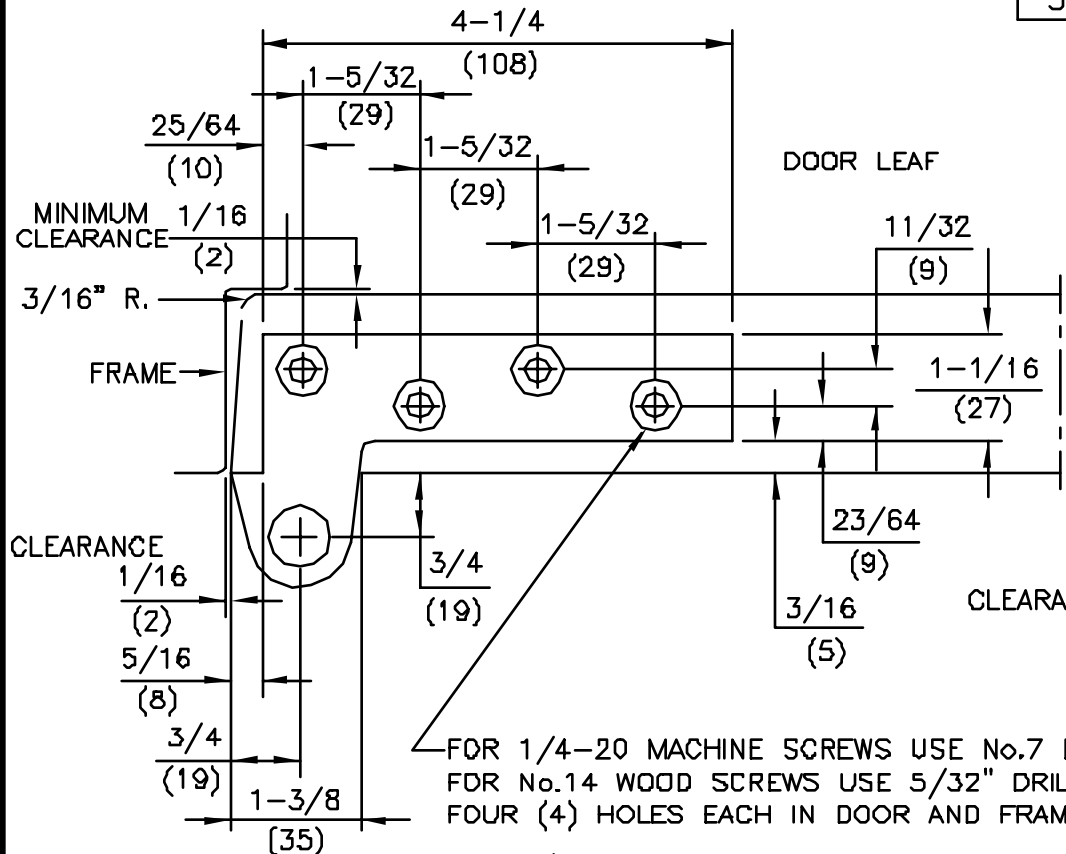


No.	REVISIONS	DATE
2	ADDED 1/16" CLEARANCE DIMENSION	3/5/93
3	REVISED TO TAKE OUT ASYLUM	4/11/00



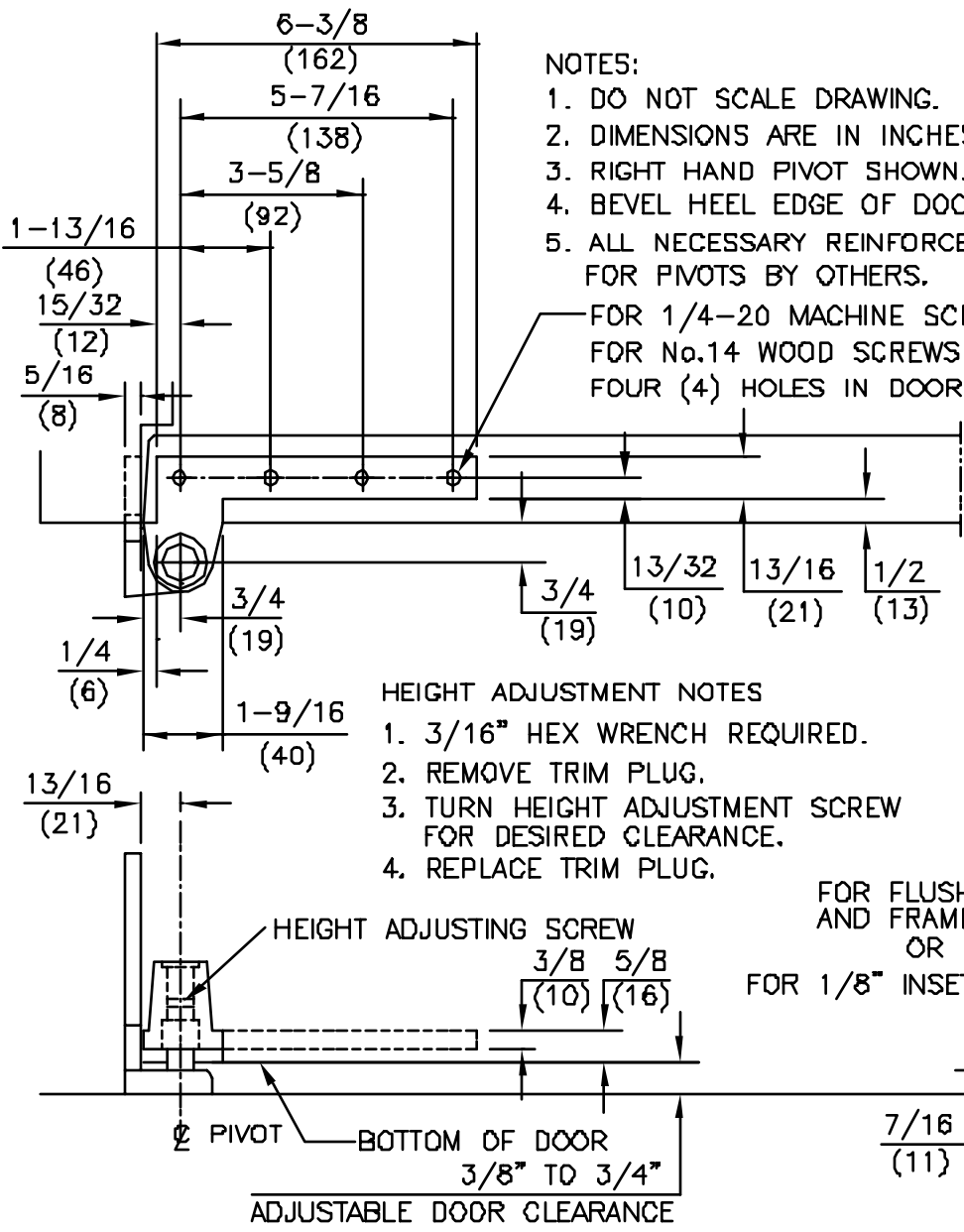
- NOTES
1. DO NOT SCALE DRAWING.
 2. DIMENSIONS ARE IN INCHES/(MM).
 3. RIGHT HAND DOOR SHOWN.
 4. BEVEL HEEL EDGE OF DOOR 1/8" IN 2".
 5. ALL NECESSARY REINFORCING FOR PIVOT BY OTHERS.
 6. FLUSH DOOR & FRAME STANDARD. 1/8" INSET DOORS REQUIRE PIVOT WITH 5/8" SUFFIX.

ITEM No. [75120, 75122, 75133 (DOOR FLUSH WITH FRAME) NON-HANDED]
 [75120 5/8, 75122 5/8, 75133 5/8 (DOOR INSET 1/8" FROM FRAME) HANDED]
 3/4" OFFSET FULL MORTISE TOP PIVOT ③

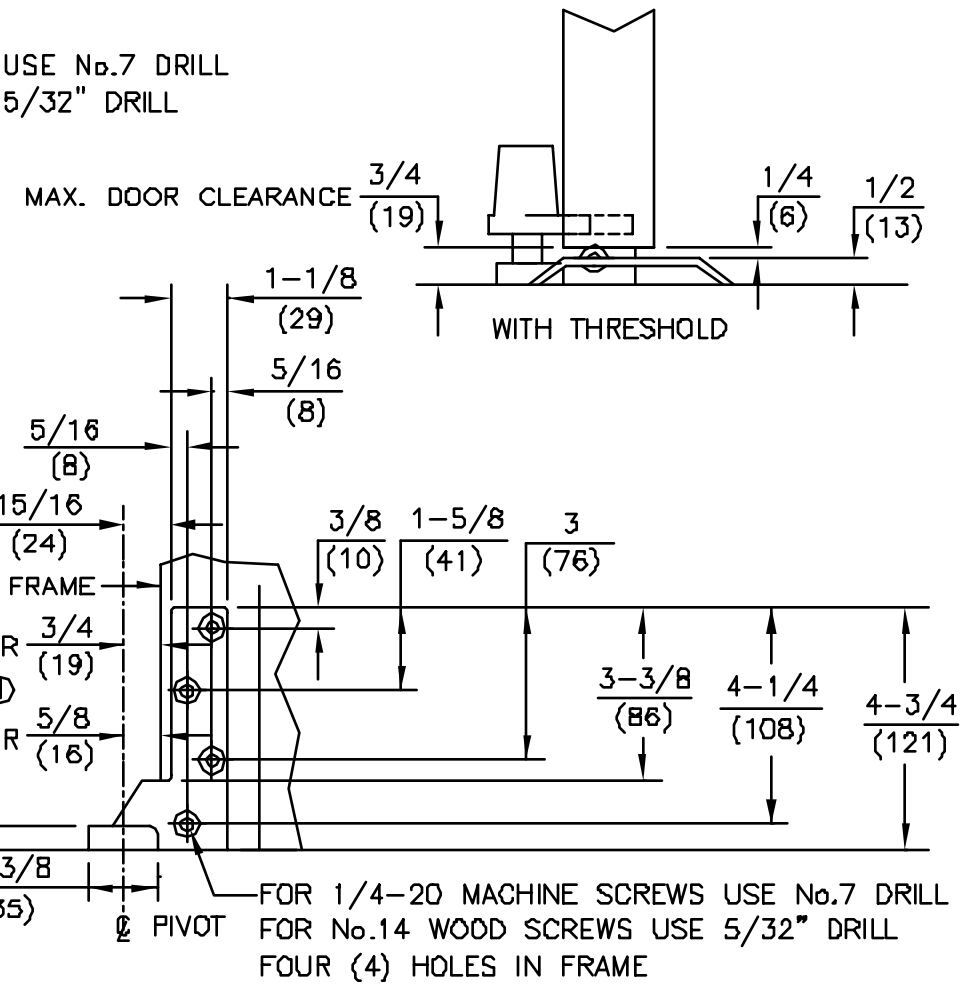


DORMA Architectural Hardware
 REAVYSTOWN, PENNSYLVANIA 17567
 TEMPLATE No. LM-34 ③

No.	REVISIONS	DATE
1	ADDED FRAME AND FLUSH & 1/8" INSET DIMENSIONS	2/18/92



NOTES:
1. DO NOT SCALE DRAWING.
2. DIMENSIONS ARE IN INCHES/(MM).
3. RIGHT HAND PIVOT SHOWN.
4. BEVEL HEEL EDGE OF DOOR 1/8" IN 2".
5. ALL NECESSARY REINFORCEMENT FOR PIVOTS BY OTHERS.
FOR 1/4-20 MACHINE SCREWS USE No.7 DRILL
FOR No.14 WOOD SCREWS USE 5/32" DRILL
FOUR (4) HOLES IN DOOR



ITEM No. 75320
3/4" OFFSET SIDE JAMB PIVOT (HANDED)

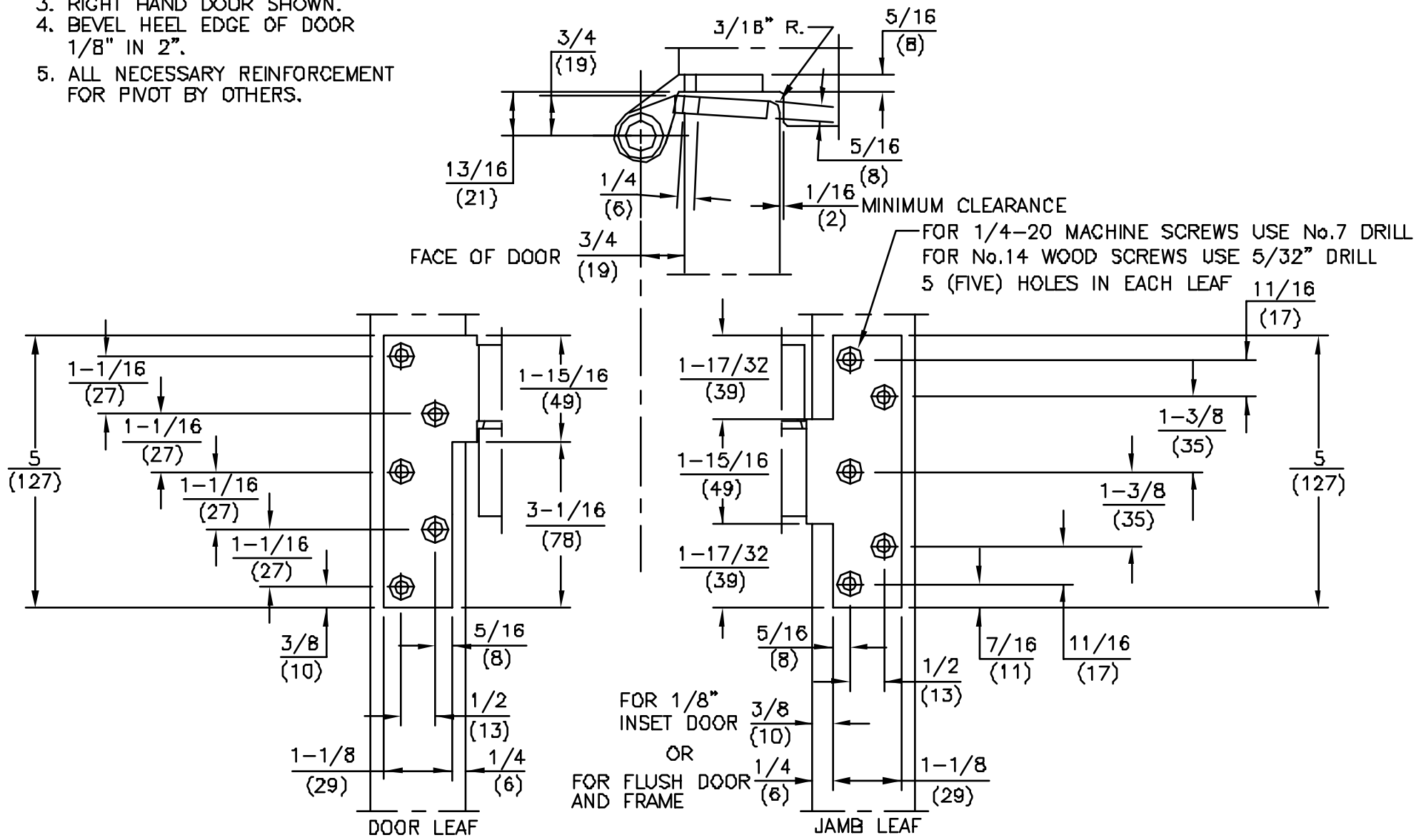


DORMA Architectural Hardware
REAVISTOWN, PENNSYLVANIA 17567
TEMPLATE No. LM-49 ①

No.	REVISIONS	DATE
1	REVISED TO TAKE OUT ASYLUM	4/11/00

NOTES

1. DO NOT SCALE DRAWING.
2. DIMENSIONS ARE IN INCHES/(MM).
3. RIGHT HAND DOOR SHOWN.
4. BEVEL HEEL EDGE OF DOOR 1/8" IN 2".
5. ALL NECESSARY REINFORCEMENT FOR PIVOT BY OTHERS.



ITEM No. 75220, 75222, 75233
 3/4" OFFSET FULL MORTISE
 INTERMEDIATE PIVOT (HANDED) ①



DORMA Architectural Hardware
 REAVISTOWN, PENNSYLVANIA 17567
 TEMPLATE No. LM-35 ①