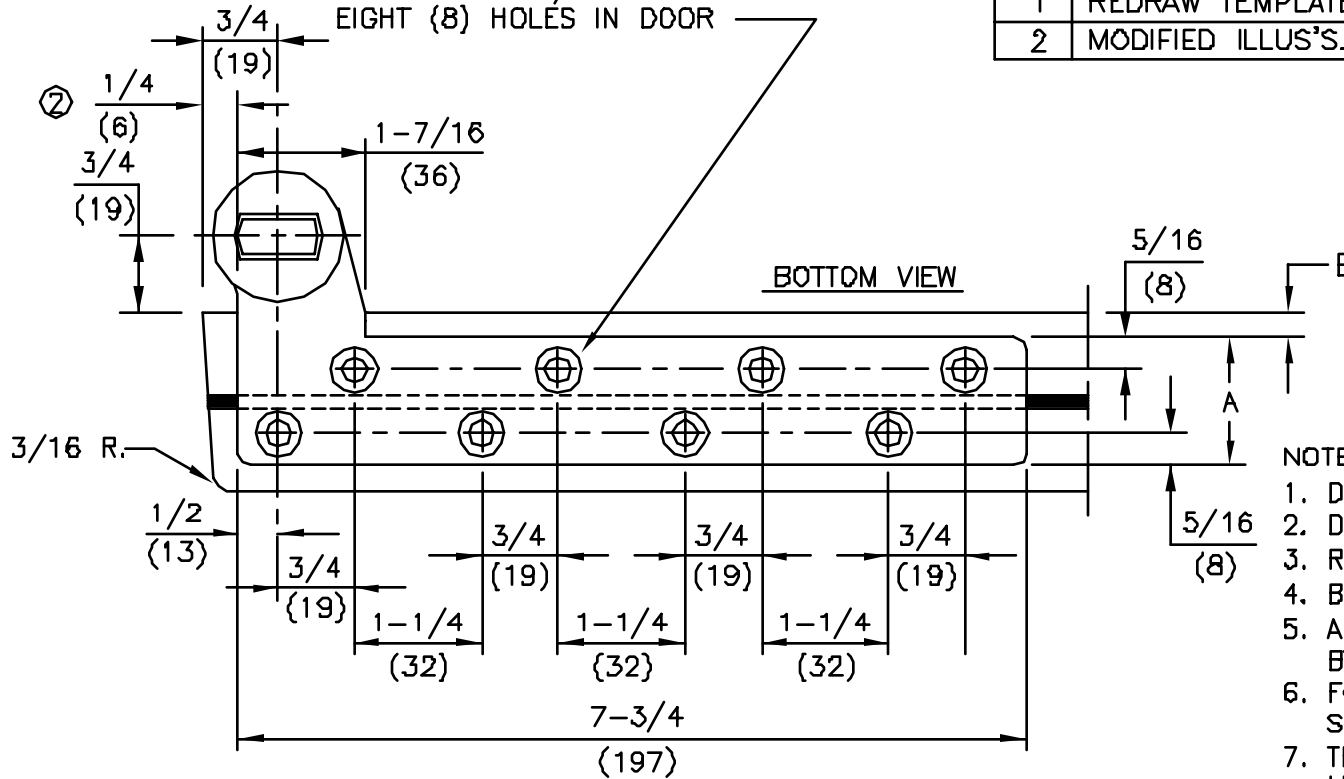


FOR 1/4-20 MACHINE SCREWS USE No.7 DRILL  
 FOR No.14 WOOD SCREWS USE 5/32" DRILL  
 EIGHT (8) HOLES IN DOOR

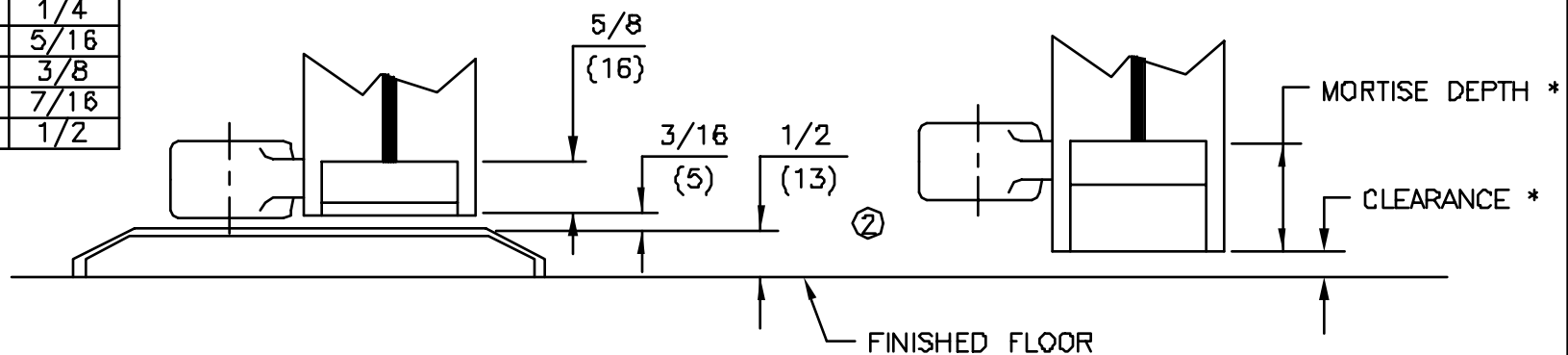
No.	REVISIONS	DATE
1	REDRAW TEMPLATE	5/2/91
2	MODIFIED ILLUS'S. & ADDED DIM.	3/10/92



**NOTES**

1. DO NOT SCALE DRAWING.
2. DIMENSIONS ARE IN INCHES/(MM).
3. RIGHT HAND DOOR SHOWN.
4. BEVEL HEEL EDGE OF DOOR 1/8" IN 2".
5. ALL NECESSARY REINFORCEMENT FOR ARM BY OTHERS.
6. FOR DOOR THICKNESS NOT LISTED USE NEXT SIZE NARROWER ARM.
7. TEMPLATE BASED ON THE ASSUMPTION THAT LEAD (BY OTHERS) IS PLACED IN CENTER OF DOOR.

DOOR THICKNESS	DIM "A"	DIM "B"
1-3/4"	1-1/4"	1/4"
2"	1-3/8"	5/16"
2-1/4"	1-1/2"	3/8"
2-1/2"	1-5/8"	7/16"
3"	2"	1/2"

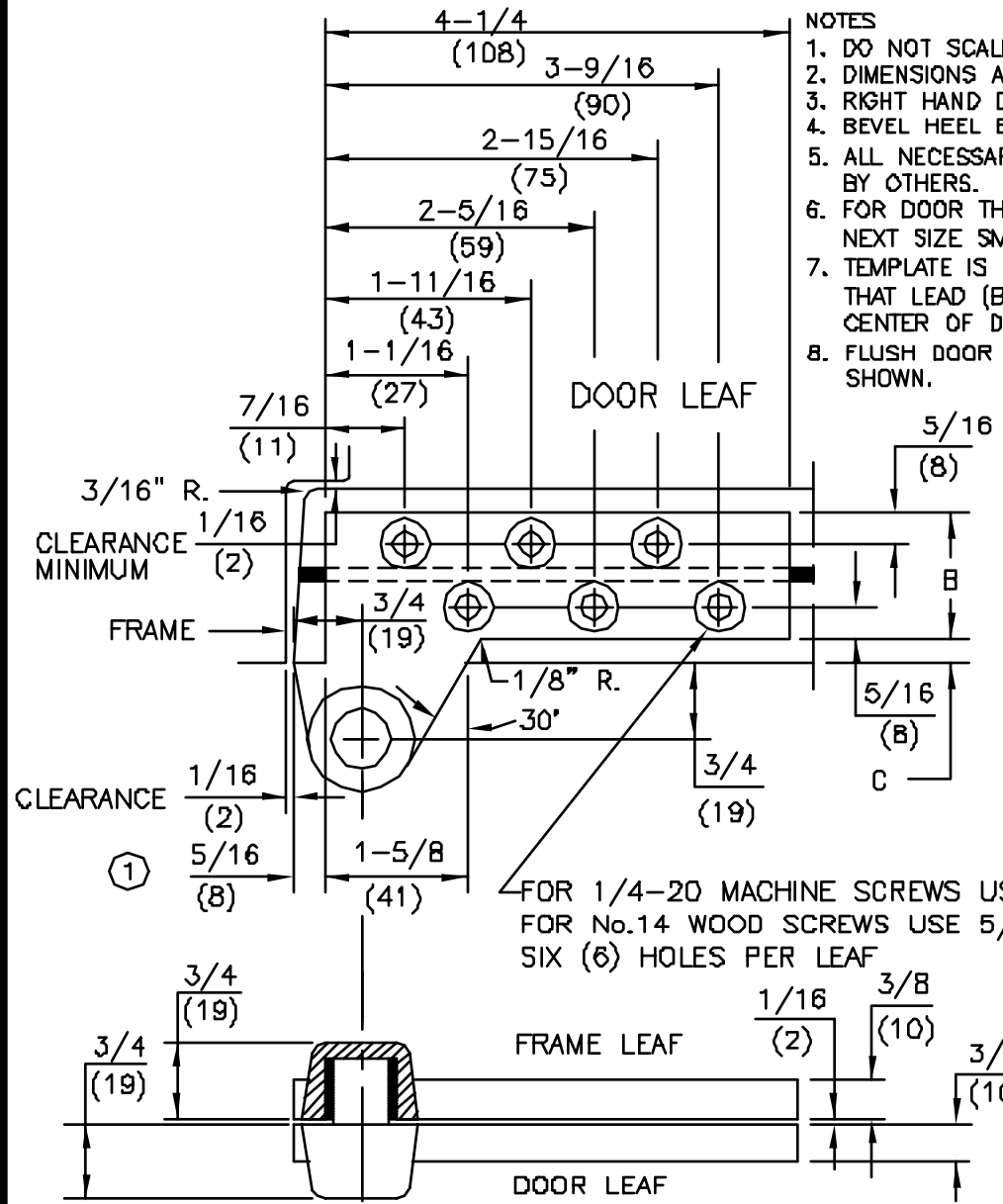


ITEM No. 75343, 75343-2, 75343-2 1/4, 75343-2 1/2, 75343-3  
 3/4" OFFSET HEAVY-DUTY BOTTOM ARM  
 FOR LEAD LINED OR EXTRA HEAVY DOORS

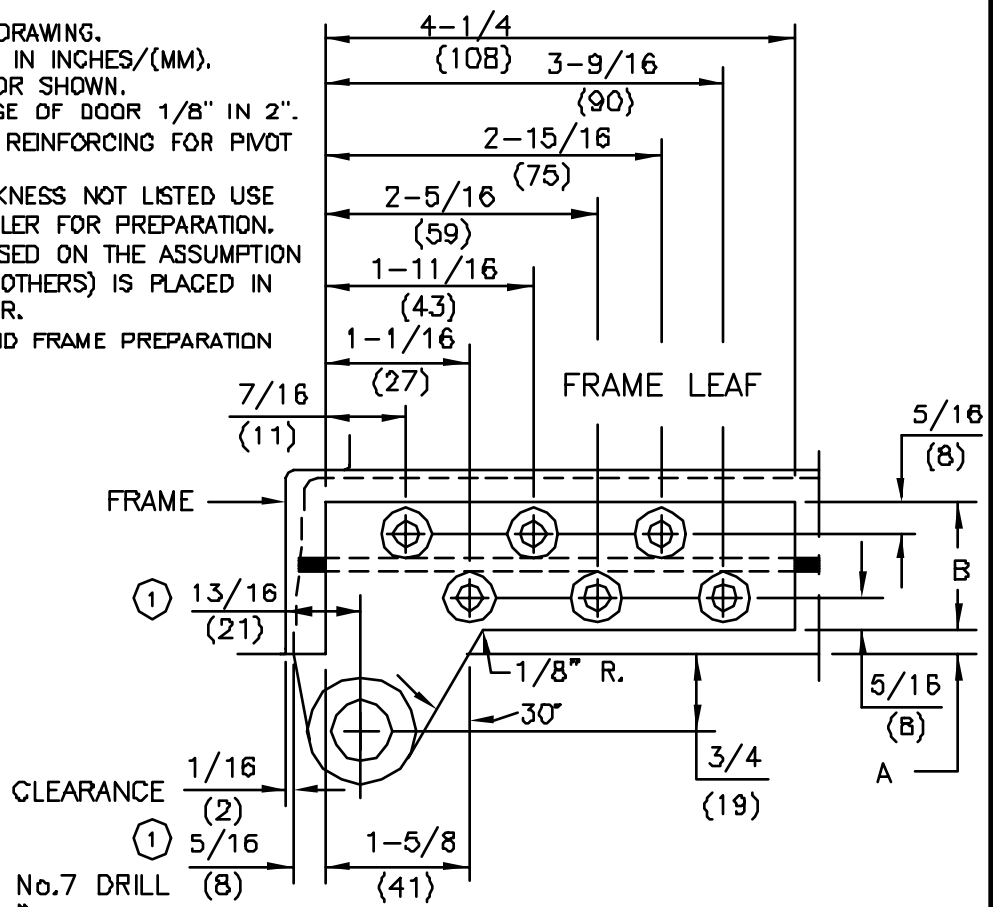


DORMA Architectural Hardware  
 REAMSTOWN, PENNSYLVANIA 17567  
 TEMPLATE No. BTS-55 ②

No.	REVISIONS	DATE
1	CHANGED DIMENSION 7/16" TO 5/16" AND ADDED 13/16" DIM.	9/24/92



- NOTES
1. DO NOT SCALE DRAWING.
  2. DIMENSIONS ARE IN INCHES/(MM).
  3. RIGHT HAND DOOR SHOWN.
  4. BEVEL HEEL EDGE OF DOOR 1/8" IN 2".
  5. ALL NECESSARY REINFORCING FOR PIVOT BY OTHERS.
  6. FOR DOOR THICKNESS NOT LISTED USE NEXT SIZE SMALLER FOR PREPARATION.
  7. TEMPLATE IS BASED ON THE ASSUMPTION THAT LEAD (BY OTHERS) IS PLACED IN CENTER OF DOOR.
  8. FLUSH DOOR AND FRAME PREPARATION SHOWN.



FOR 1/4-20 MACHINE SCREWS USE No.7 DRILL  
 FOR No.14 WOOD SCREWS USE 5/32" DRILL  
 SIX (6) HOLES PER LEAF

FOR FLUSH DOOR AND FRAME			
DOOR THICKNESS	DIM "A"	DIM "B"	DIM "C"
1-3/4"	1/4	1-1/4	1/4
2"	5/16	1-3/8	5/16
2-1/4"	3/8	1-1/2	3/8
2-1/2"	7/16	1-5/8	7/16
3"	1/2	2	1/2

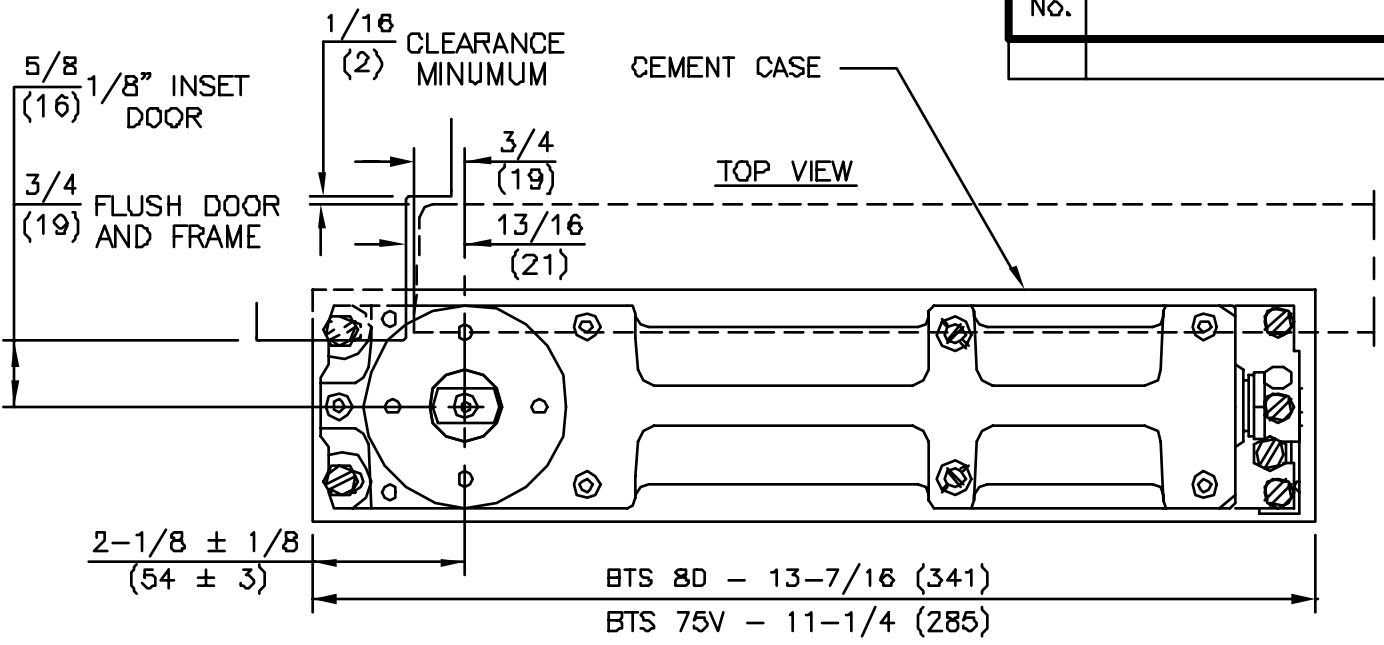
FOR 1/8" INSET DOOR			
DOOR THICKNESS	DIM "A"	DIM "B"	DIM "C"
1-3/4"	3/8	1-1/4	1/4
2"	7/16	1-3/8	5/16
2-1/4"	1/2	1-1/2	3/8
2-1/2"	9/16	1-5/8	7/16
3"	5/8	2	1/2

ALL SERIES: [75140, 75142, 75143 (DOOR FLUSH WITH FRAME) NON-HANDED],  
 [75140 5/8, 75142 5/8, 75143 5/8 (DOOR INSET 1/8" FROM FRAME) HANDED]  
 3/4" OFFSET FULL MORTISE TOP PIVOT  
 FOR LEAD LINED OR EXTRA HEAVY DOORS



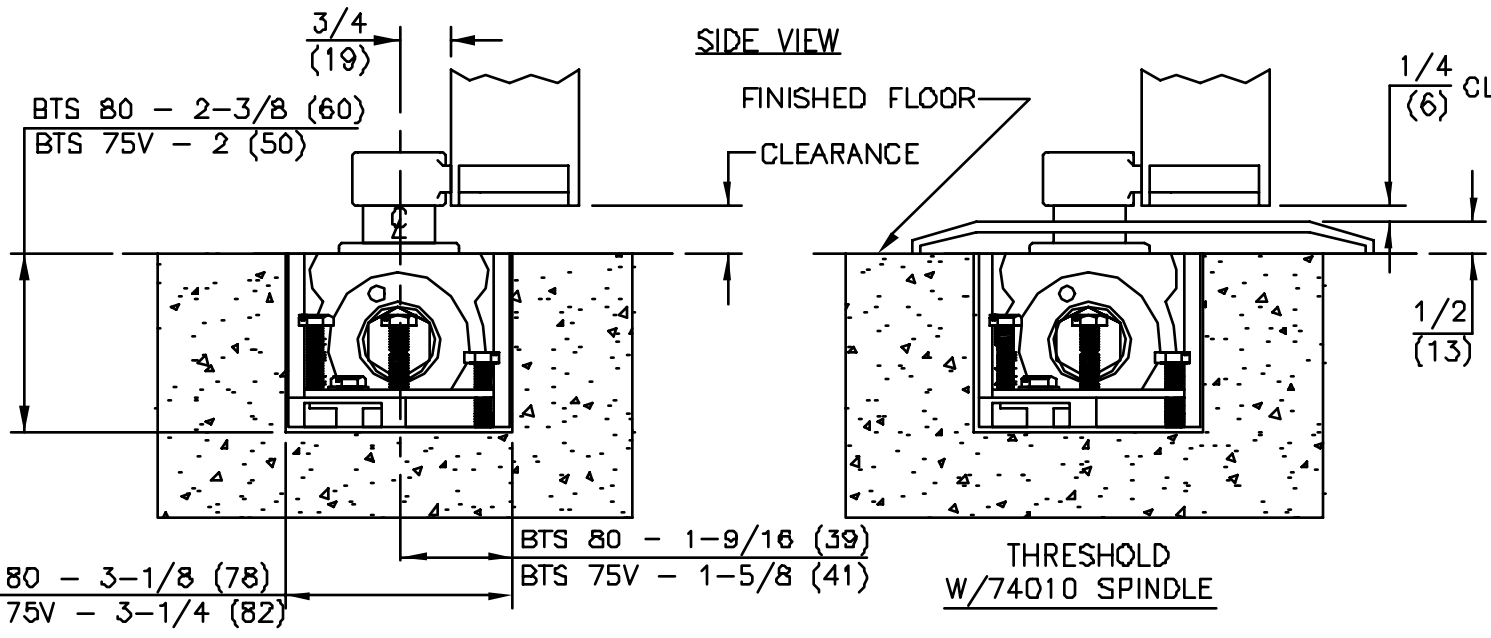
DORMA Architectural Hardware  
 REAMSTOWN, PENNSYLVANIA 17667  
 TEMPLATE No. BTS-67 (1)

No.	REVISIONS	DATE



**NOTES**

1. DO NOT SCALE DRAWING.
2. DIMENSIONS ARE IN INCHES/(mm).
3. TOP OF CEMENT CASE MUST BE FLUSH WITH FINISH FLOOR LINE.
4. CEMENT CASE MUST BE LEVEL AND PARALLEL TO FRAME.
5. INSTALL CEMENT CASE WITH CLOSER CENTERED IN CASE.
6. 1/8" INSET INSTALLATION SHOWN.



SPINDLE NO.	CLEARANCE
74003	5/16"
74005	1/2"
74007	5/8"
(STD.) 74010	3/4"
74012	13/16"
74015	7/8"
74020	1-1/8"
74025	1-5/16"
74030	1-1/2"
74035	1-11/16"
74040	1-7/8"
74045	2-1/16"
74050	2-5/16"

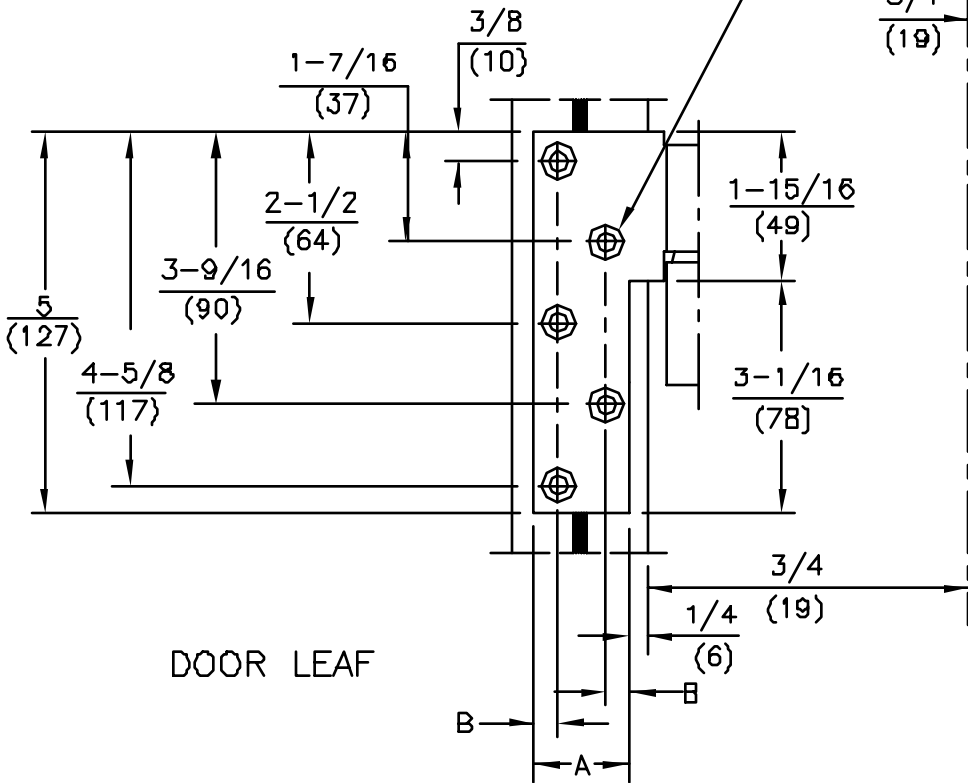
FLOOR CLOSER MODELS: BTS 75V/D,E,F & BTS 80/D,E,F,L  
 3/4" OFFSET  
 CEMENT CASE PLACEMENT



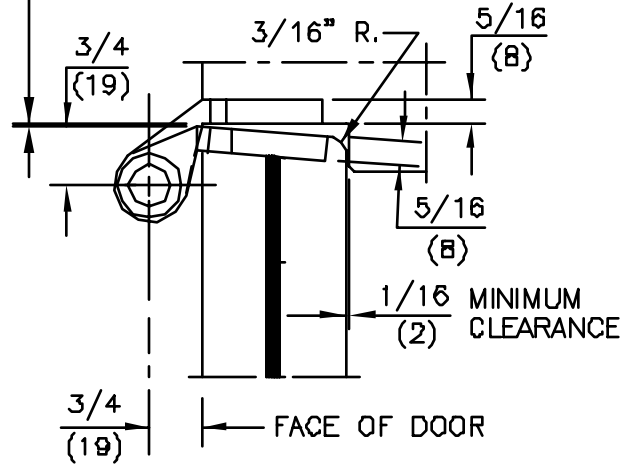
DORMA DOOR CONTROLS INC.  
 REAMSTOWN, PENNSYLVANIA 17567  
 TEMPLATE No. BTS-78

NOTES

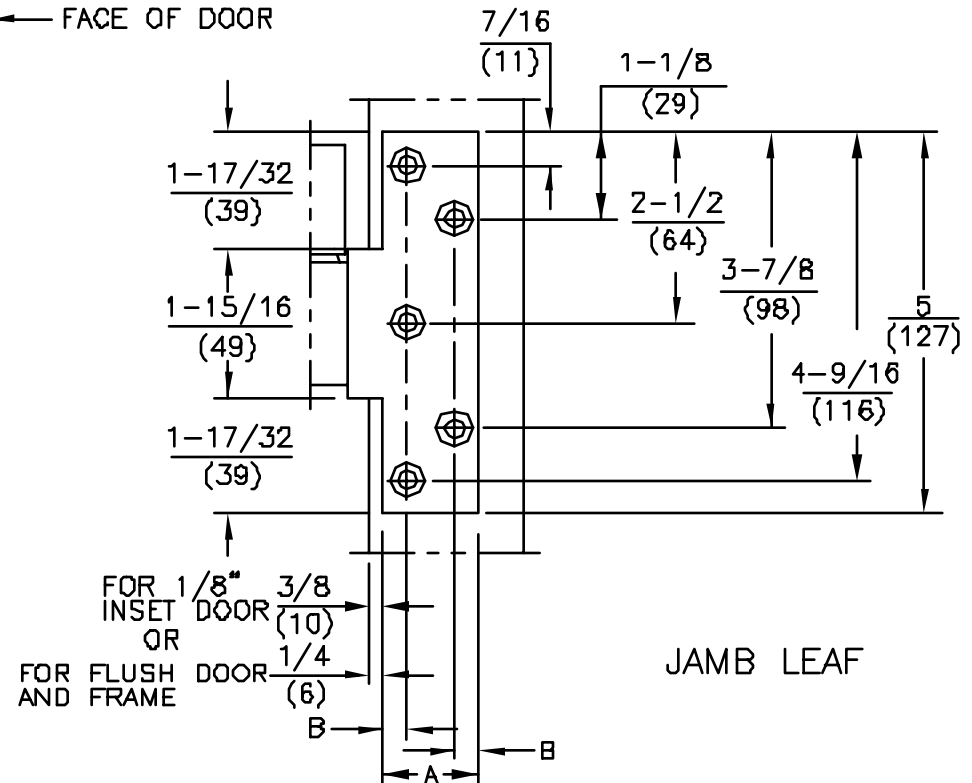
1. DO NOT SCALE DRAWING.
  2. DIMENSIONS ARE IN INCHES/(MM).
  3. RIGHT HAND DOOR SHOWN.
  4. BEVEL HEEL EDGE OF DOOR 1/8" IN 2".
  5. ALL NECESSARY REINFORCEMENT FOR PIVOT BY OTHERS.
  6. FOR DOOR THICKNESS NOT LISTED USE NEXT SIZE SMALLER FOR PREPARATION.
  7. TEMPLATE IS BASED ON THE ASSUMPTION THAT LEAD (BY OTHERS) IS PLACED IN CENTER OF DOOR.
  8. FLUSH DOOR AND FRAME PREPARATION SHOWN.
- FOR 1/4-20 MACHINE SCREWS USE No.7 DRILL  
FOR No.14 WOOD SCREWS USE 5/32" DRILL  
5 (FIVE) HOLES IN EACH LEAF



No.	REVISIONS	DATE



DOOR THICKNESS	DIM "A"	DIM "B"
1-3/4"	1-1/4	1/4
2"	1-1/2	5/16
2-1/4"	1-3/4	5/16
2-1/2"	2	5/16
3"	2-7/16	5/16



ALL SERIES: 75240, 75242, 75243  
3/4" OFFSET FULL MORTISE  
INTERMEDIATE PIVOT (HANDED)  
FOR LEAD LINED OR EXTRA HEAVY DOORS



DORMA Architectural Hardware  
REAMSTOWN, PENNSYLVANIA 17567  
TEMPLATE No. BTS-66