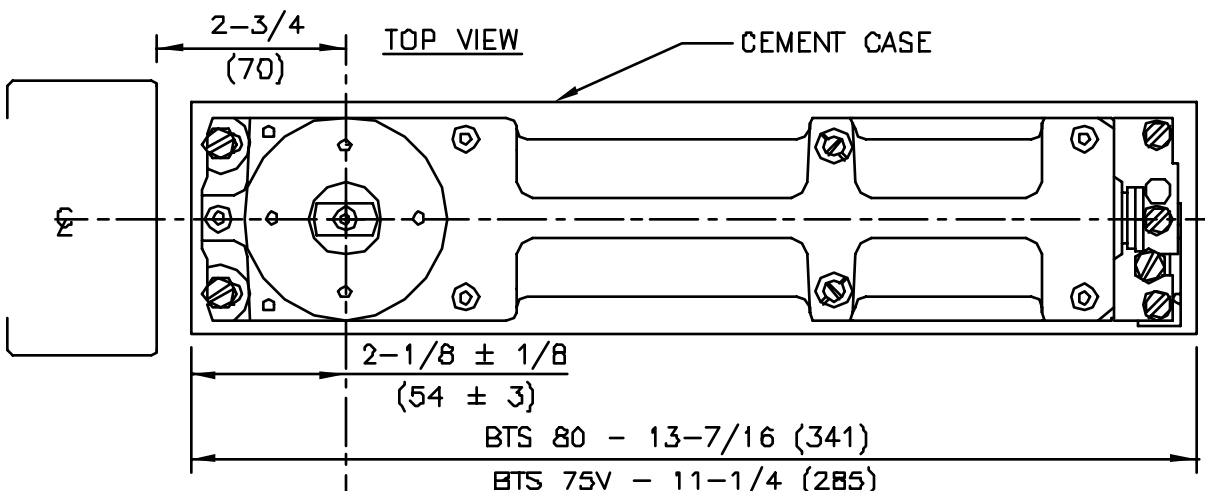
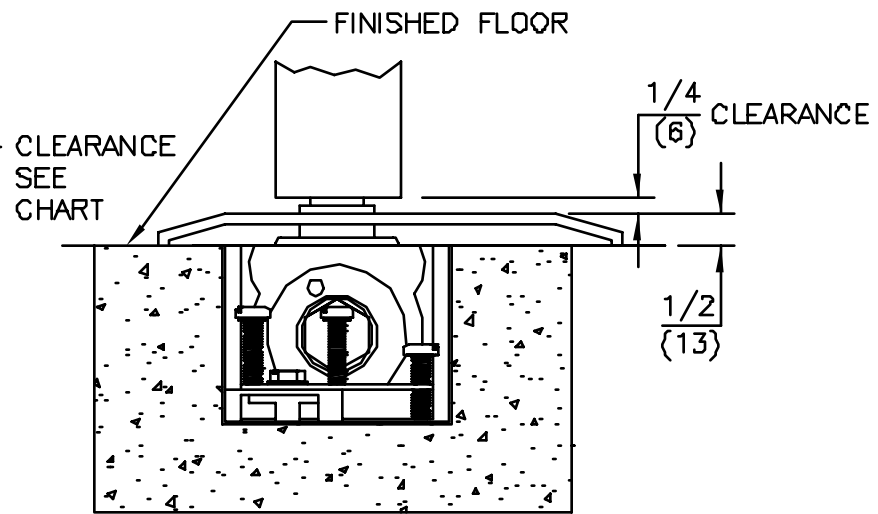
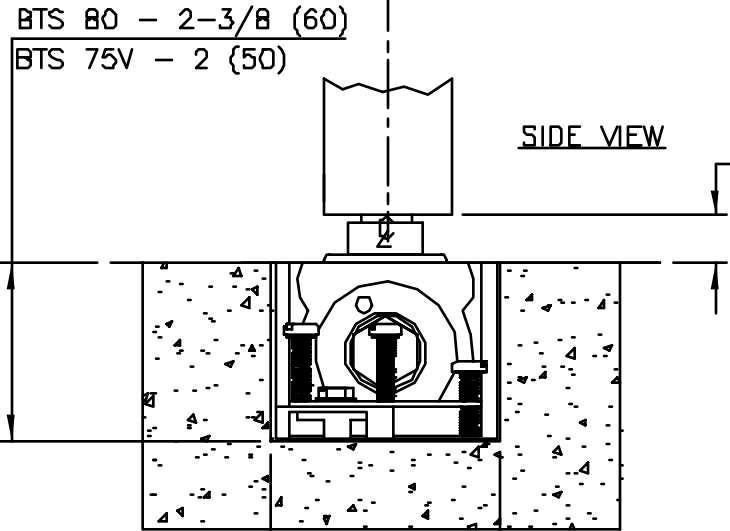


No.	REVISIONS	DATE



- NOTES**
1. DO NOT SCALE DRAWING.
  2. DIMENSIONS ARE IN INCHES/(mm).
  3. TOP OF CEMENT CASE MUST BE FLUSH WITH FINISH FLOOR LINE.
  4. CEMENT CASE MUST BE LEVEL AND PARALLEL TO FRAME.
  5. INSTALL CEMENT CASE WITH CLOSER CENTERED IN CASE.
  6. CHART VALID ONLY WHEN CORRESPONDING DOOR PORTION IS INSTALLED PER TEMPLATE.



SPINDLE NO.	CLEARANCE
74003	5/16"
74005	1/2"
74007	5/8"
(STD.)74010	3/4"
74012	13/16"
74015	7/8"
74020	1-1/8"
74025	1-5/16"
74030	1-1/2"
74035	1-11/16"
74040	1-7/8"
74045	2-1/16"
74050	2-5/16"

BTS 80 - 3-1/8 (78)

BTS 75V - 3-1/4 (82)

FLOOR CLOSER MODELS: BTS 75V/A,B,G,H & BTS 80/A,B,G,H  
 CENTER HUNG 2-3/4" BACKSET  
 CEMENT CASE PLACEMENT



DORMA Architectural Hardware  
 REAMSTOWN, PENNSYLVANIA 17567  
 TEMPLATE No. BTS-77