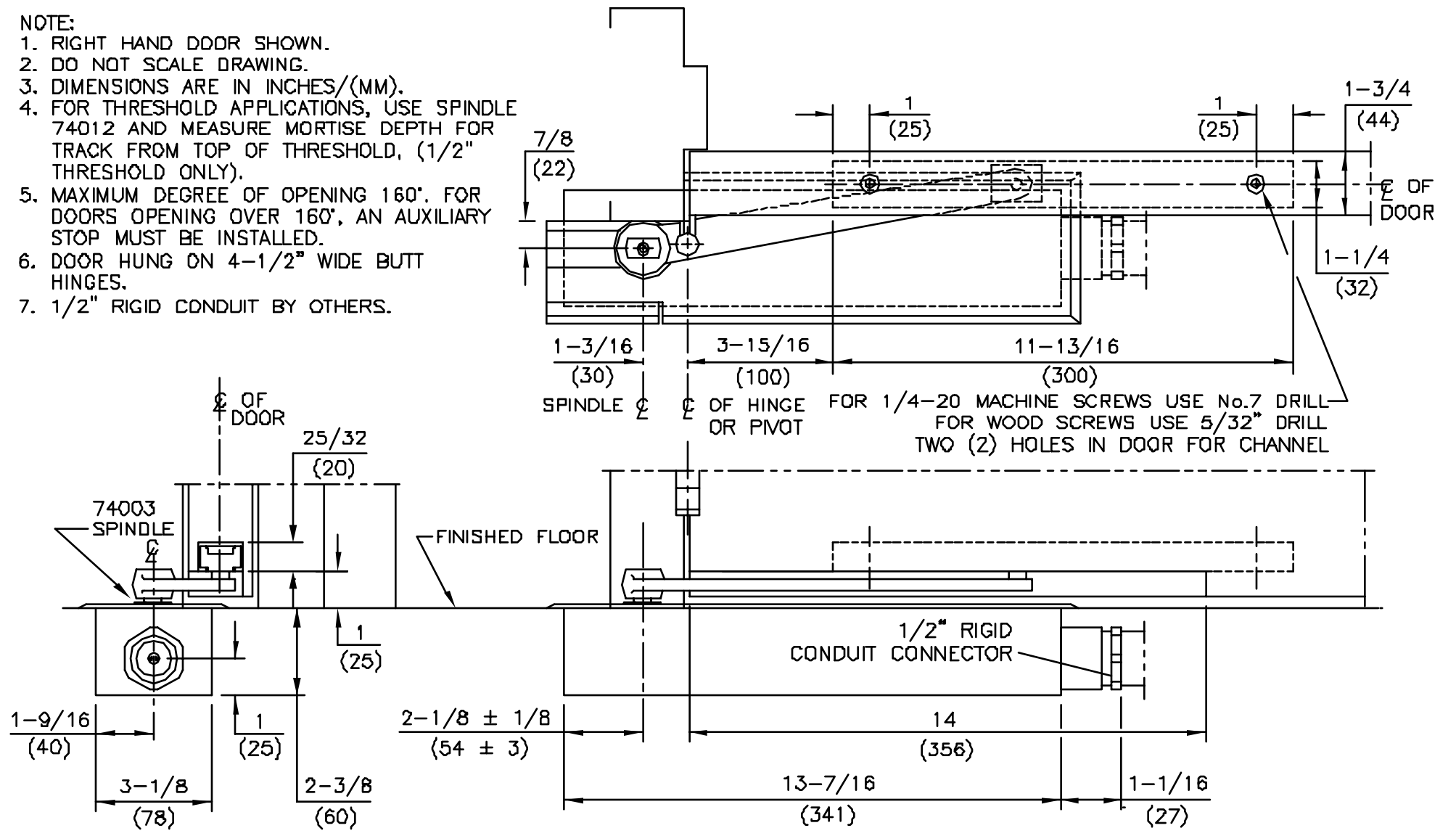


No.	REVISIONS	DATE

- NOTE:
1. RIGHT HAND DOOR SHOWN.
 2. DO NOT SCALE DRAWING.
 3. DIMENSIONS ARE IN INCHES/(MM).
 4. FOR THRESHOLD APPLICATIONS, USE SPINDLE 74012 AND MEASURE MORTISE DEPTH FOR TRACK FROM TOP OF THRESHOLD, (1/2" THRESHOLD ONLY).
 5. MAXIMUM DEGREE OF OPENING 160°. FOR DOORS OPENING OVER 160°, AN AUXILIARY STOP MUST BE INSTALLED.
 6. DOOR HUNG ON 4-1/2" WIDE BUTT HINGES.
 7. 1/2" RIGID CONDUIT BY OTHERS.



FLOOR CLOSER MODEL: BTS 80EMB/I WITH 7451N SLIDE ARM
(PULL SIDE INSTALLATION)
TRACK MORTISED IN DOOR



DORMA Architectural Hardware
REAMSTOWN, PENNSYLVANIA 17567
TEMPLATE No. BTS-68