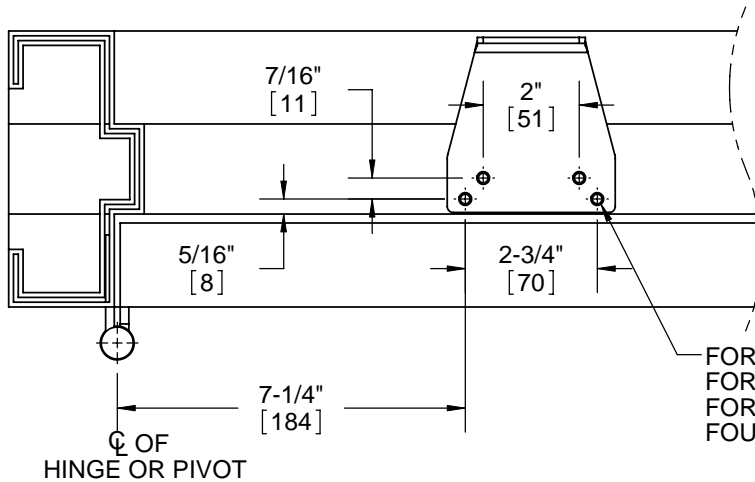
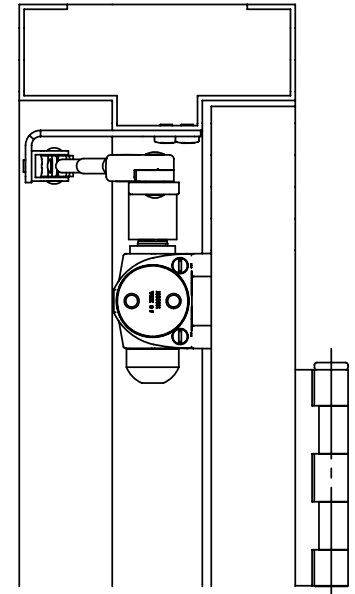


FOR 1/4-20 MACHINE SCREWS, USE 13/64"  
 OR #7 DRILL & TAP  
 FOR No.14 WOOD SCREWS, USE 5/32" DRILL  
 FOR DPK FASTENERS, USE 1/8" DRILL  
 FOR SEX NUTS, USE 3/8" DRILL  
 FOUR (4) HOLES IN DOOR ARE FOR THE CLOSER



FOR 1/4-20 MACHINE SCREWS, USE 13/64" OR #7 DRILL & TAP  
 FOR No.14 WOOD SCREWS, USE 5/32" DRILL  
 FOR DPK FASTENERS, USE 1/8" DRILL  
 FOUR (2) HOLES IN FRAME ARE FOR THE PA BRACKET

NOTES:

- 1) DO NOT SCALE THIS DRAWING
- 2) DIMENSIONS ARE IN INCHES / [MM]
- 3) LEFT HAND DOOR IS SHOWN
- 4) CAUTION: SEX NUTS ARE REQUIRED FOR ATTACHMENT OF COMPONENTS TO UNREINFORCED DOORS AND TO WOOD OR PLASTIC FACE COMPOSITE TYPE FIRE DOORS, UNLESS AN ALTERNATIVE METHOD IS IDENTIFIED IN THE INDIVIDUAL DOOR MANUFACTURER'S LISTINGS.
- 5) MAX. OPENING 180 DEG.
- 6) SEE CATALOG FOR REVEAL INFORMATION
- 7) OPTIONAL DPK FASTENERS (DPK89) FOR STEEL DOOR & FRAME ONLY.

DOOR CLOSER MODELS: 8616 ARP  
 PARALLEL INSTALLATION (PUSH SIDE MOUNT)



DORMA Architectural Hardware  
 Reamstown, PA 17567