

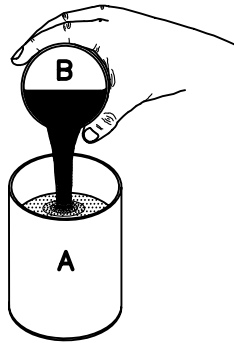
**SC-1 SEALING COMPOUND
(2300) INSTRUCTIONS**



This sealing compound is used to fill the cavities between the closer body and the cement case. It consists of two components: basic fluid (A), and accelerator (B).

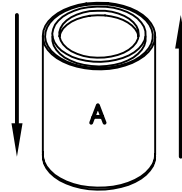
1 Clean the closer body and cement case before applying the sealing compound.

2 Pour contents from (B) into (A).

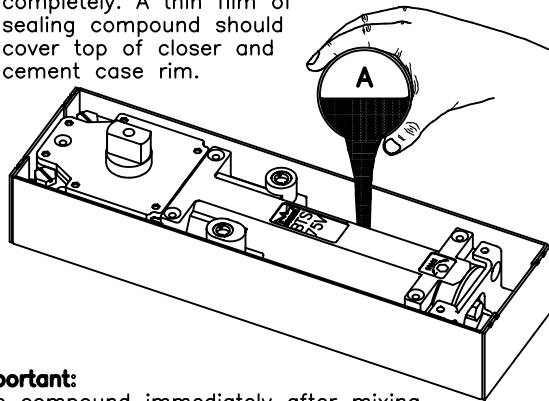


3 Shake thoroughly.

Hardening and adhesion may be affected by insufficient mixing.



4 Carefully pour mixture into cavities between closer body and cement case. Fill cement case completely. A thin film of sealing compound should cover top of closer and cement case rim.



Important:

Use compound immediately after mixing. Hardening process begins after 20 minutes. After 24 hours, the compound is fully hardened.

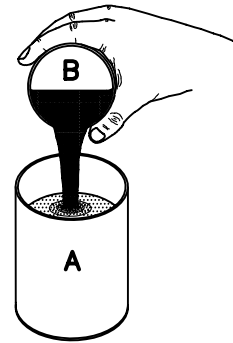
**SC-1 SEALING COMPOUND
(2300) INSTRUCTIONS**



This sealing compound is used to fill the cavities between the closer body and the cement case. It consists of two components: basic fluid (A), and accelerator (B).

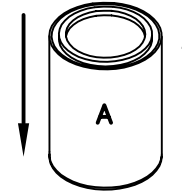
1 Clean the closer body and cement case before applying the sealing compound.

2 Pour contents from (B) into (A).

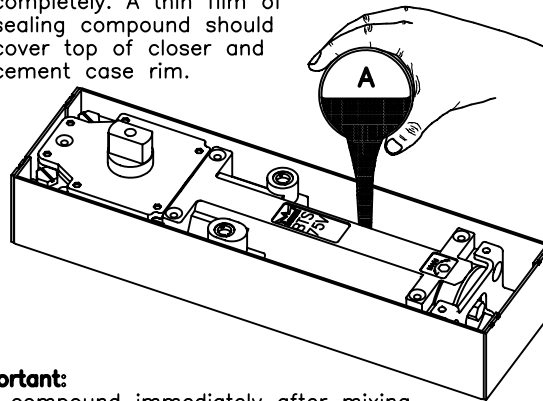


3 Shake thoroughly.

Hardening and adhesion may be affected by insufficient mixing.



4 Carefully pour mixture into cavities between closer body and cement case. Fill cement case completely. A thin film of sealing compound should cover top of closer and cement case rim.



Important:

Use compound immediately after mixing. Hardening process begins after 20 minutes. After 24 hours, the compound is fully hardened.

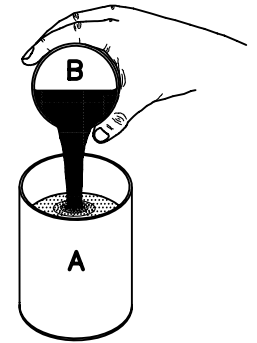
**SC-1 SEALING COMPOUND
(2300) INSTRUCTIONS**



This sealing compound is used to fill the cavities between the closer body and the cement case. It consists of two components: basic fluid (A), and accelerator (B).

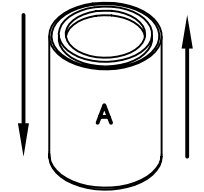
1 Clean the closer body and cement case before applying the sealing compound.

2 Pour contents from (B) into (A).

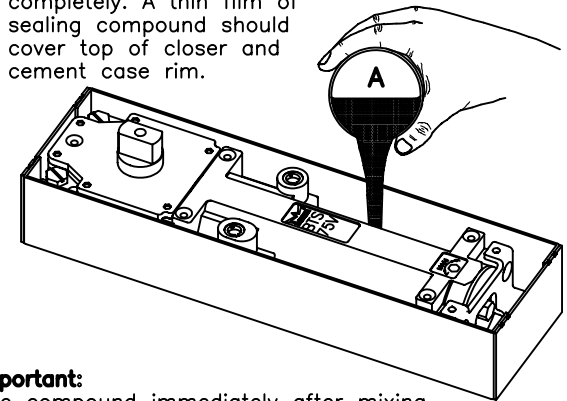


3 Shake thoroughly.

Hardening and adhesion may be affected by insufficient mixing.



4 Carefully pour mixture into cavities between closer body and cement case. Fill cement case completely. A thin film of sealing compound should cover top of closer and cement case rim.



Important:

Use compound immediately after mixing. Hardening process begins after 20 minutes. After 24 hours, the compound is fully hardened.