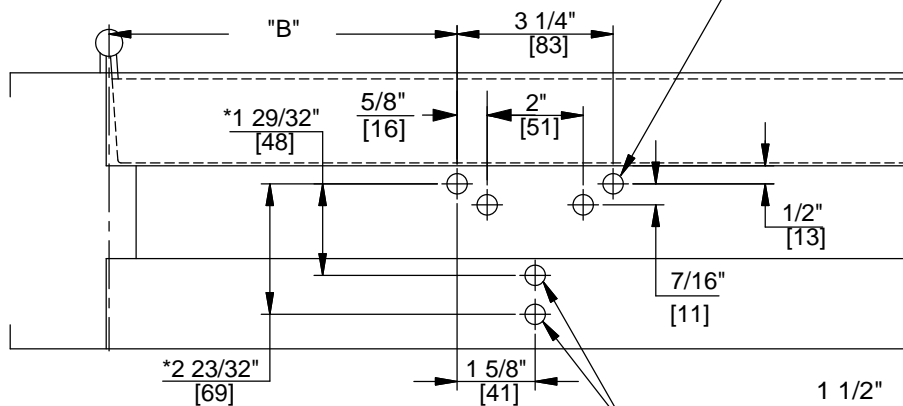
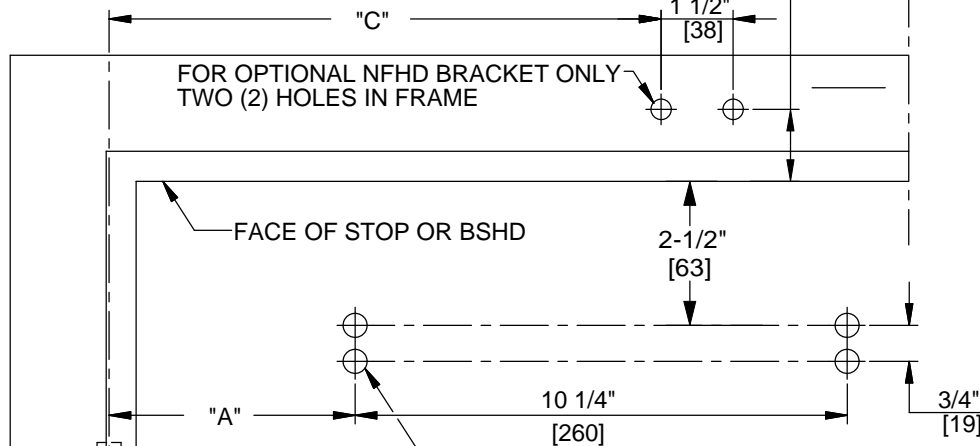


FOR 1/4-20 MACHINE SCREWS USE 7/32" DRILL & TAP
 FOR No.14 WOOD SCREWS USE 5/32" DRILL
 DPK FASTENERS DRILL 1/8" PILOT HOLE
 FOUR (4) HOLES IN SOFFIT FOR BRACKET



*IMPORTANT: CHOOSE APPROPRIATE HOLE LOCATION FOR SPACER BLOCK, IN ACCORDANCE WITH FRAME WIDTH. ONE (1) HOLE IN FRAME FOR SPACER BLOCK.



FOR OPTIONAL NFHD BRACKET ONLY
 TWO (2) HOLES IN FRAME

FACE OF STOP OR BSHD

☉ OF HINGE OR PIVOT

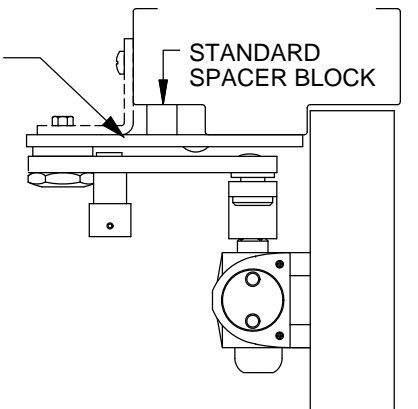
FOR 1/4-20 MACHINE SCREWS USE 7/32" DRILL & TAP
 FOR No.14 WOOD SCREWS USE 5/32" DRILL
 DPK FASTENERS DRILL 1/8" PILOT HOLE
 FOR SEX NUTS USE 3/8" DRILL
 FOUR (4) HOLES IN DOOR FOR CLOSER

ANGLE OF DOOR OPENING DEADSTOP	DIM. "A" CLOSER	DIM. "B" SOFFIT PLATE	DIM. "C" (NFHD) BRACKET OPTIONAL
85°	6-7/8 (175)	11 (279)	11-7/8 (302)
90°	6-1/8 (156)	10-1/4 (260)	11-1/8 (283)
100°	4-7/8 (124)	9 (229)	9-7/8 (251)
110°	3-3/4 (95)	7-7/8 (200)	8-3/4 (222)

NOTES:

1. DO NOT SCALE DRAWING.
2. DIMENSIONS ARE IN INCHES/(MM).
3. LEFT HAND DOOR SHOWN.
4. CAUTION: SEX NUTS ARE REQUIRED FOR ATTACHMENT OF COMPONENTS TO UNREINFORCED DOORS AND TO WOOD OR PLASTIC FACED COMPOSITE TYPE FIRE DOORS, UNLESS AN ALTERNATIVE METHOD IS IDENTIFIED IN THE INDIVIDUAL DOOR MANUFACTURER'S LISTINGS.
5. FOR FRAME WIDTHS 4-1/2" AND LESS USE OPTIONAL (NFHD) BRACKET.
6. MINIMUM DOOR WIDTH 26".
7. TEMPLATE BASED ON 4-1/2" x 4-1/2" BUTT HINGES.
8. HOLD OPEN APPROX. 2 DEG LESS THAN DEAD STOP.
9. OPTIONAL DPK FASTENERS (DPK86) FOR STEEL DOOR & FRAME ONLY.

OPTIONAL NFHD BRACKET (STANDARD WITH S-DS, S-DST)

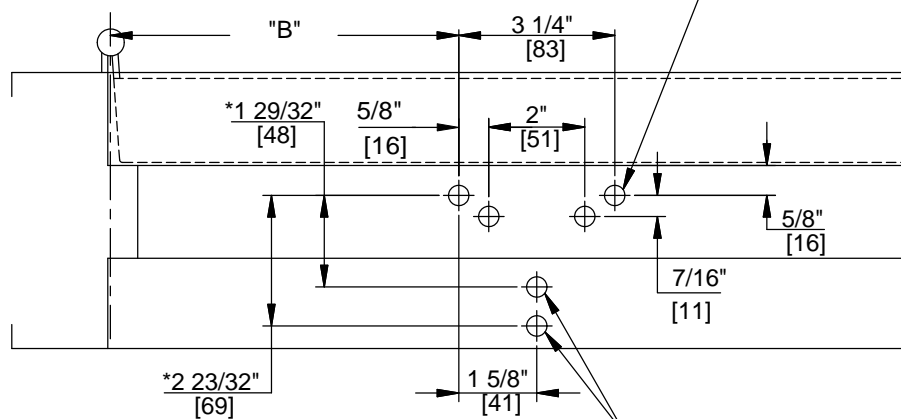


DOOR CLOSER MODELS: 7414, 7436 DS, DST, DSK, S-DS, S-DST
 DOOR SAVER PARALLEL ARM INSTALLATION (PUSH SIDE MOUNT)
 WITH STANDARD SPACER BLOCK
 OPTIONAL NFHD BRACKET AND BSHD BLADE STOP SPACER BLOCK

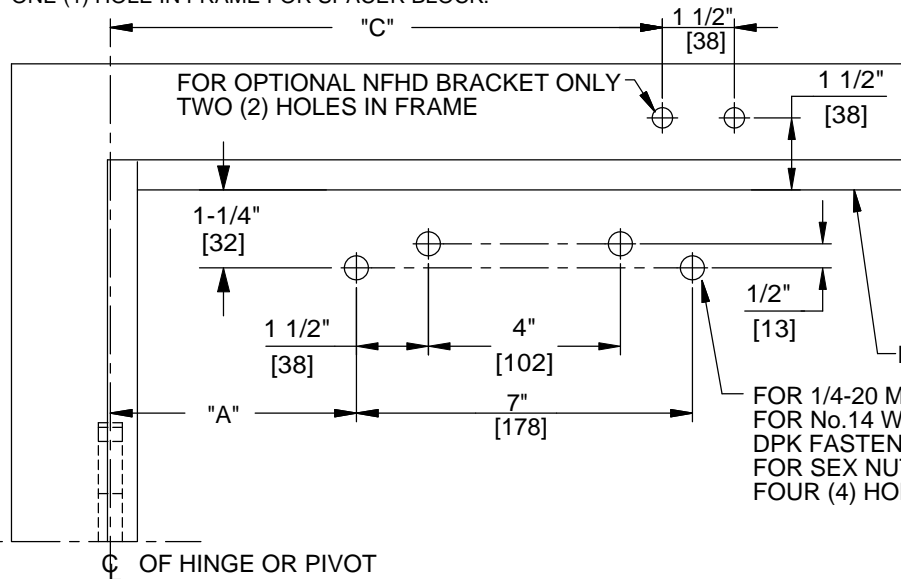


DORMA Door Controls
 Reamstown, PA 17567

FOR 1/4-20 MACHINE SCREWS USE 7/32" DRILL & TAP
 FOR No.14 WOOD SCREWS USE 5/32" DRILL
 DPK FASTENERS DRILL 1/8" PILOT HOLE
 FOUR (4) HOLES IN SOFFIT FOR BRACKET



*IMPORTANT: CHOOSE APPROPRIATE HOLE LOCATION FOR SPACER BLOCK, IN ACCORDANCE WITH FRAME WIDTH. ONE (1) HOLE IN FRAME FOR SPACER BLOCK.



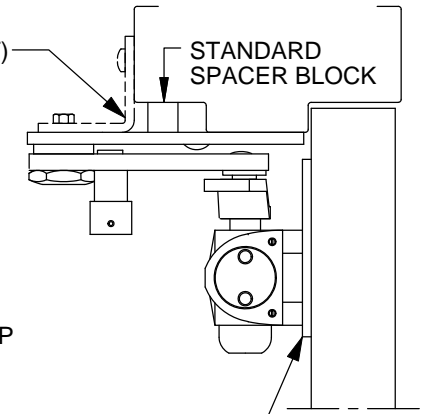
FOR 1/4-20 MACHINE SCREWS USE 7/32" DRILL & TAP
 FOR No.14 WOOD SCREWS USE 5/32" DRILL
 DPK FASTENERS DRILL 1/8" PILOT HOLE
 FOR SEX NUTS USE 3/8" DRILL
 FOUR (4) HOLES IN DOOR FOR PLATE

ANGLE OF DOOR OPENING DEADSTOP	DIM. "A" PLATE	DIM. "B" SOFFIT PLATE	DIM. "C" (NFHD) BRACKET OPTIONAL
85°	9-5/8 (244)	11 (279)	11-7/8 (302)
90°	8-7/8 (225)	10-1/4 (260)	11-1/8 (283)
100°	7-5/8 (200)	9 (229)	9-7/8 (251)
110°	6-1/2 (165)	7-7/8 (200)	8-3/4 (222)

NOTES:

- DO NOT SCALE DRAWING.
- DIMENSIONS ARE IN INCHES/(MM).
- LEFT HAND DOOR SHOWN.
- CAUTION: SEX NUTS ARE REQUIRED FOR ATTACHMENT OF COMPONENTS TO UNREINFORCED DOORS AND TO WOOD OR PLASTIC FACED COMPOSITE TYPE FIRE DOORS, UNLESS AN ALTERNATIVE METHOD IS IDENTIFIED IN THE INDIVIDUAL DOOR MANUFACTURER'S LISTINGS.
- FOR FRAME WIDTHS 4-1/2" AND LESS USE OPTIONAL (NFHD) BRACKET.
- MINIMUM DOOR WIDTH 26".
- TEMPLATE BASED ON 4-1/2" x 4-1/2" BUTT HINGES.
- HOLD OPEN APPROX. 2 DEG LESS THAN DEAD STOP.
- OPTIONAL DPK FASTENERS (DPK86) FOR STEEL DOOR & FRAME ONLY.

OPTIONAL NFHD BRACKET (STANDARD WITH S-DS, S-DST)



WITH DROP PLATE

DOOR CLOSER MODELS: 7414, 7436 DS, DST, DSK, S-DS, S-DST
 DOOR SAVER PARALLEL ARM INSTALLATION (PUSH SIDE MOUNT)
 WITH PLATES DP74, DP86, DP86FC AND STANDARD SPACER BLOCK
 OPTIONAL NFHD BRACKET AND BSHD BLADE STOP SPACER BLOCK



DORMA Door Controls
 Reamstown, PA 17567