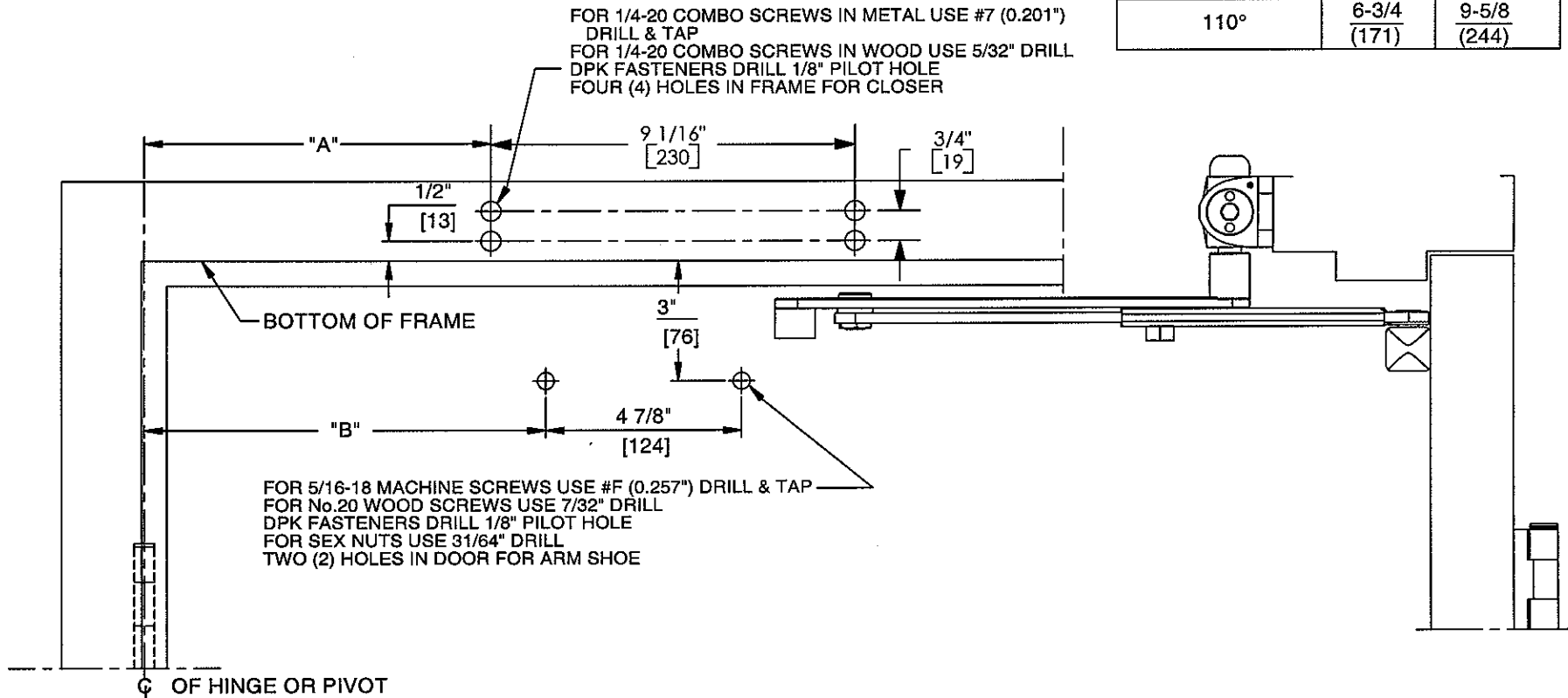


Always consult DORMA's web site for latest template at [www.dorma-usa.com](http://www.dorma-usa.com) or call 1-800-523-8483.

**NOTES:**

1. DO NOT SCALE DRAWING.
2. DIMENSIONS ARE IN INCHES/(MM).
3. LEFT HAND DOOR SHOWN.
4. CAUTION: SEX NUTS ARE REQUIRED FOR ATTACHMENT OF COMPONENTS TO UNREINFORCED DOORS AND TO WOOD OR PLASTIC FACED COMPOSITE TYPE FIRE DOORS, UNLESS AN ALTERNATIVE METHOD IS IDENTIFIED IN THE INDIVIDUAL DOOR MANUFACTURER'S LISTINGS.
5. SEE CATALOG FOR REVEAL INFORMATION.
6. OPTIONAL DPK FASTENERS (DPK86) FOR STEEL DOOR & FRAME ONLY.

DEGREE OF DEAD STOP	DIM. "A" CLOSER	DIM. "B" ARM SHOE
85°	8-7/8 (225)	11-3/4 (298)
90°	8-1/4 (209)	11-1/8 (283)
100°	7-3/8 (200)	10-1/4 (356)
110°	6-3/4 (171)	9-5/8 (244)



DOOR CLOSER MODELS: 7300 S-ISJ, S-ISHJ (DEAD STOP ARM)  
 TOP JAMB INSTALLATION (PUSH SIDE MOUNT)



DORMA Door Controls  
 Reamstown, PA 17567

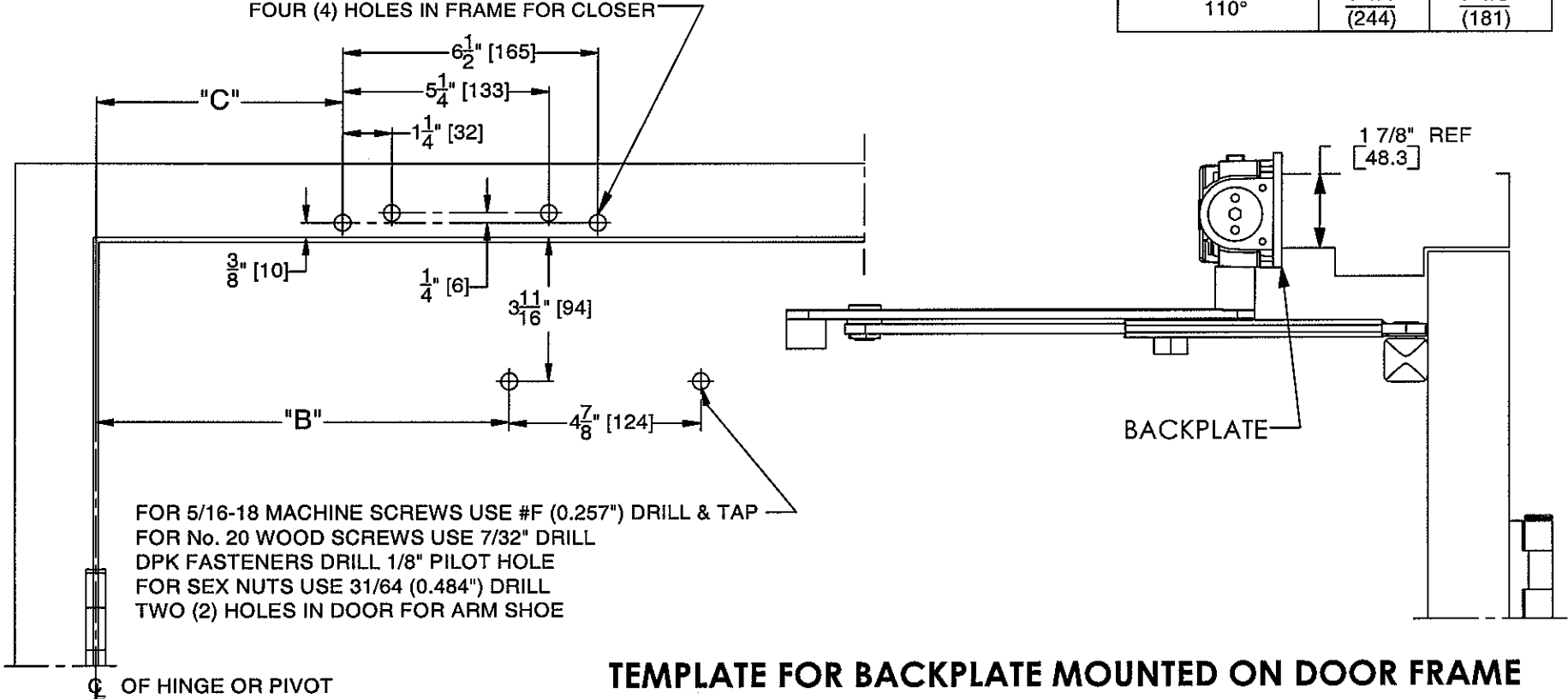
**NOTES:**

1. DO NOT SCALE DRAWING.
2. RIGHT HAND DOOR SHOWN.
3. DIMENSIONS ARE IN INCHES/[MM].
4. CAUTION: SEX NUTS ARE REQUIRED FOR ATTACHMENT OF COMPONENTS TO UNREINFORCED DOORS AND TO WOOD OR PLASTIC FACED COMPOSITE TYPE FIRE DOORS, UNLESS AN ALTERNATIVE METHOD IS IDENTIFIED IN THE INDIVIDUAL DOOR MANUFACTURER'S LISTINGS.

**5. OPTIONAL DPK FASTENERS (DPK86) FOR STEEL DOOR & FRAME ONLY.**

FOR 1/4-20 COMBO SCREWS USE #7 (0.201") DRILL & TAP  
 FOR 1/4-20 COMBO SCREWS IN WOOD USE 5/32" DRILL  
 DPK FASTENERS DRILL 1/8" PILOT HOLE  
 FOUR (4) HOLES IN FRAME FOR CLOSER

DEGREE OF DEAD STOP	DIM. "B"	DIM. "C"
85°	11-3/4 (298)	9-1/4 (235)
90°	11-1/8 (283)	8-5/8 (219)
100°	10-1/4 (260)	7-3/4 (197)
110°	9-5/8 (244)	7-1/8 (181)



DOOR CLOSER MODELS: 7300 S-ISJ & S-ISJH (DEAD STOP ARM)  
 TOP JAMB (PUSH-SIDE MOUNT) WITH BACKPLATE BP73



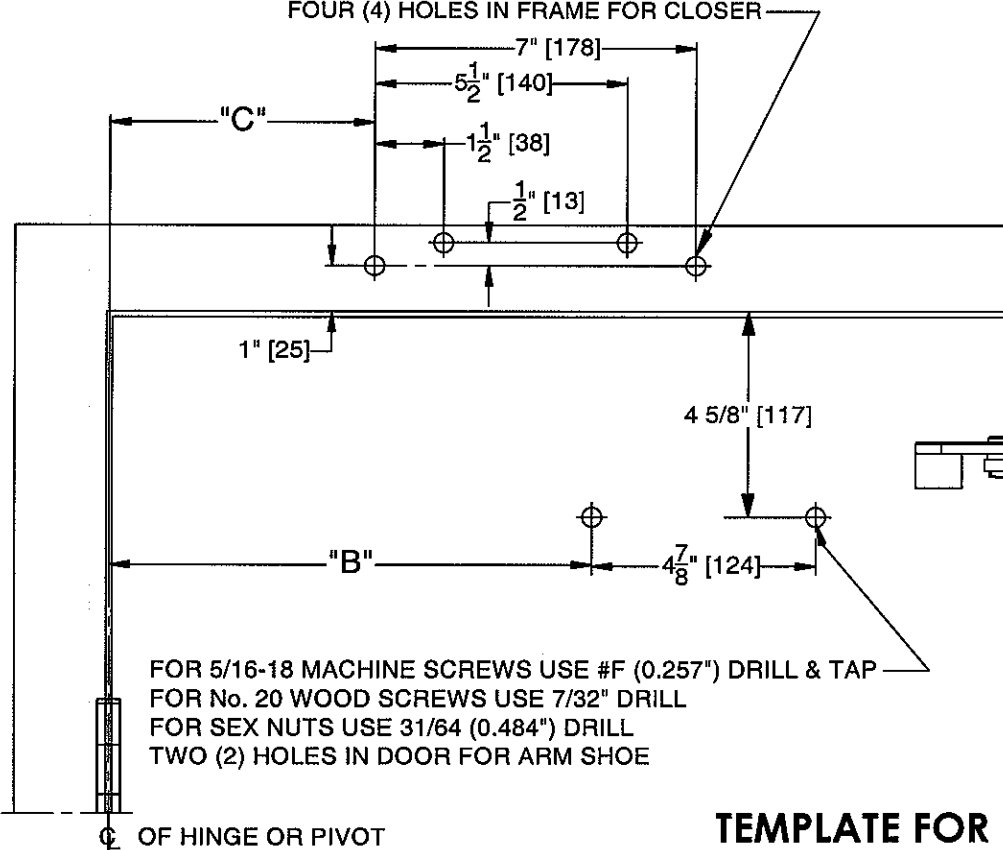
DORMA Door Controls  
 Reamstown, PA 17567

**NOTES:**

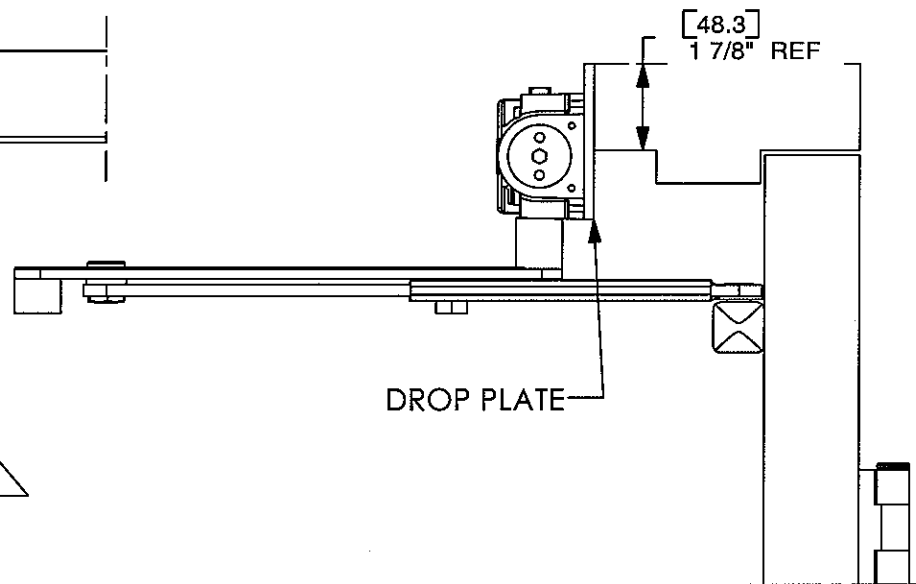
1. DO NOT SCALE DRAWING.
2. RIGHT HAND DOOR SHOWN.
3. DIMENSIONS ARE IN INCHES/[MM].
4. CAUTION: SEX NUTS ARE REQUIRED FOR ATTACHMENT OF COMPONENTS TO UNREINFORCED DOORS AND TO WOOD OR PLASTIC FACED COMPOSITE TYPE FIRE DOORS, UNLESS AN ALTERNATIVE METHOD IS IDENTIFIED IN THE INDIVIDUAL DOOR MANUFACTURER'S LISTINGS.
5. OPTIONAL DPK FASTENERS (DPK86) FOR STEEL DOOR & FRAME ONLY.

FOR 1/4-20 COMBO SCREWS USE #7 (0.201") DRILL & TAP  
 FOR 1/4-20 COMBO SCREWS IN WOOD USE 5/32" DRILL  
 DPK FASTENERS DRILL 1/8" PILOT HOLE  
 FOUR (4) HOLES IN FRAME FOR CLOSER

DEGREE OF DEAD STOP	DIM. "B"	DIM. "C"
85°	11-3/4 (298)	9-3/8 (238)
90°	11-1/8 (283)	8-3/4 (222)
100°	10-1/4 (260)	7-7/8 (200)
110°	9-5/8 (244)	7-1/4 (184)



FOR 5/16-18 MACHINE SCREWS USE #F (0.257") DRILL & TAP  
 FOR No. 20 WOOD SCREWS USE 7/32" DRILL  
 FOR SEX NUTS USE 31/64 (0.484") DRILL  
 TWO (2) HOLES IN DOOR FOR ARM SHOE



**TEMPLATE FOR DROP PLATE MOUNTED ON DOOR FRAME**

DOOR CLOSER MODELS: 7300 S-ISJ & S-ISJH (DEAD STOP ARM)  
 TOP JAMB (PUSH-SIDE MOUNT) WITH DROP PLATE DP73



DORMA Door Controls  
 Reamstown, PA 17567