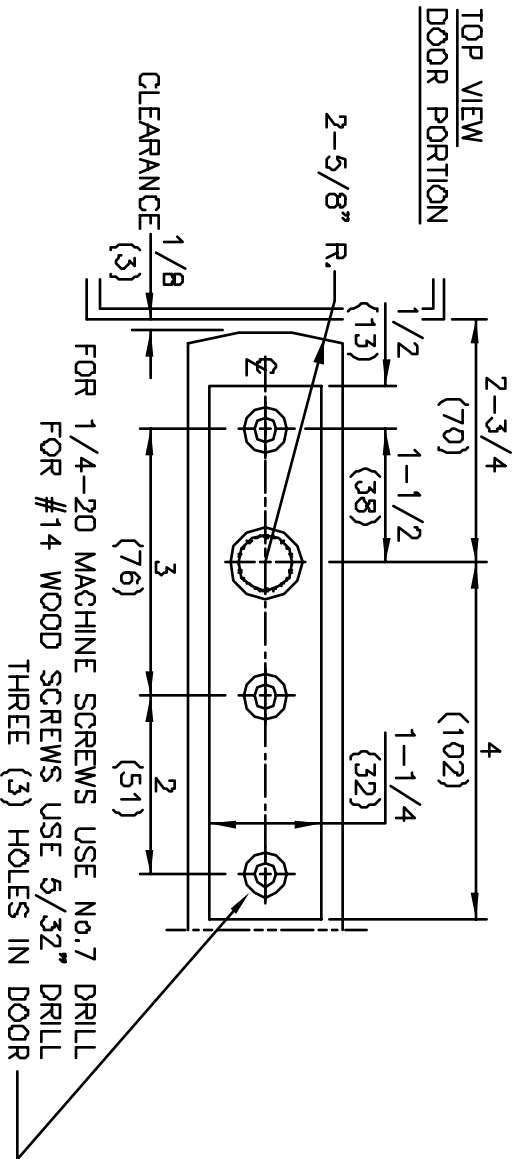
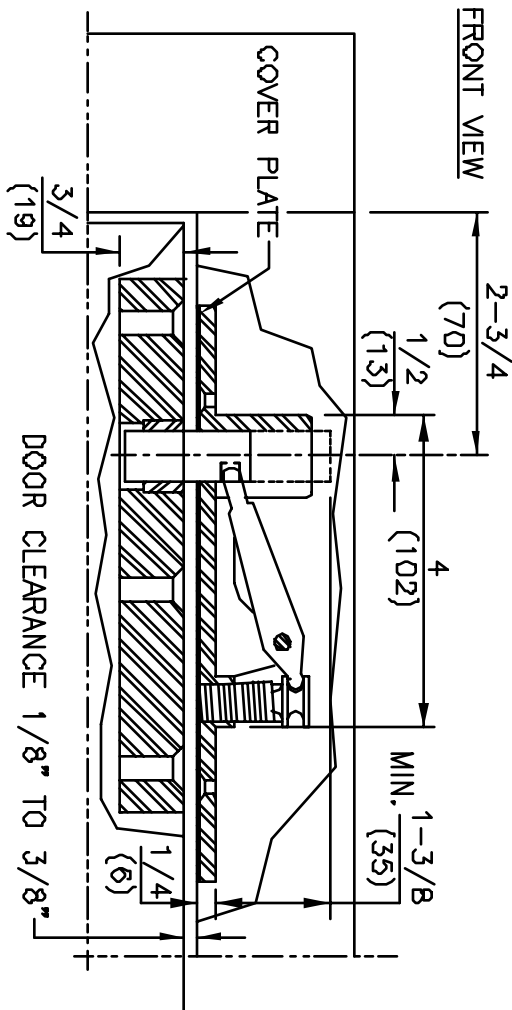
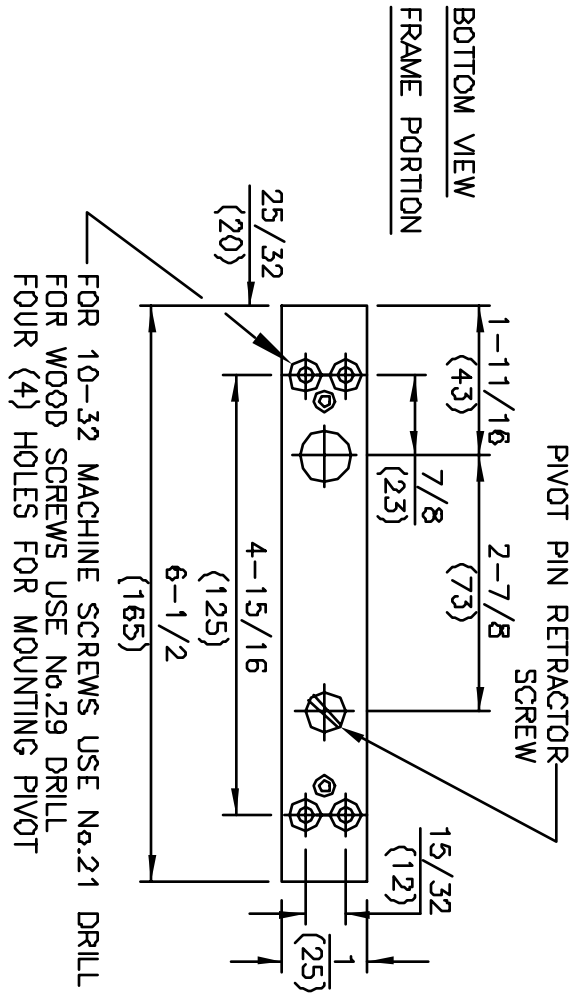


- NOTES
1. DO NOT SCALE DRAWING.
  2. DIMENSIONS ARE IN INCHES/(MM).
  3. ALL NECESSARY REINFORCING FOR PIVOTS BY OTHERS.
  4. PIVOT PIN DIAMETER .625.



MODEL No. HD8062  
HEAVY DUTY CENTER HUNG TOP PIVOT



DORMA Architectural Hardware  
REAVISTOWN, PENNSYLVANIA 17567  
TEMPLATE No. LM-42