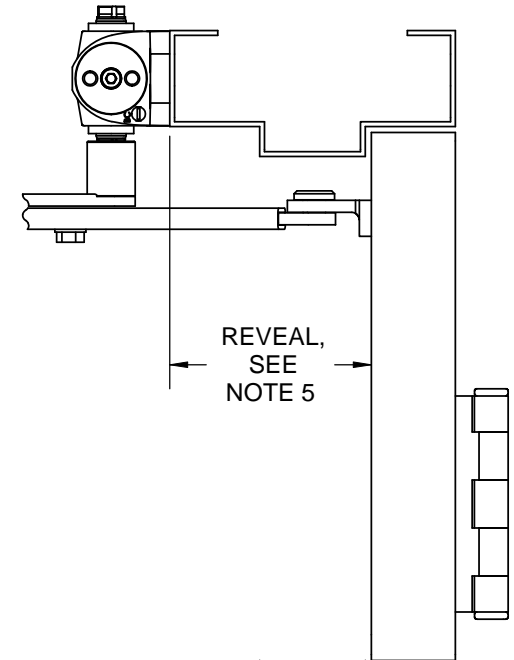
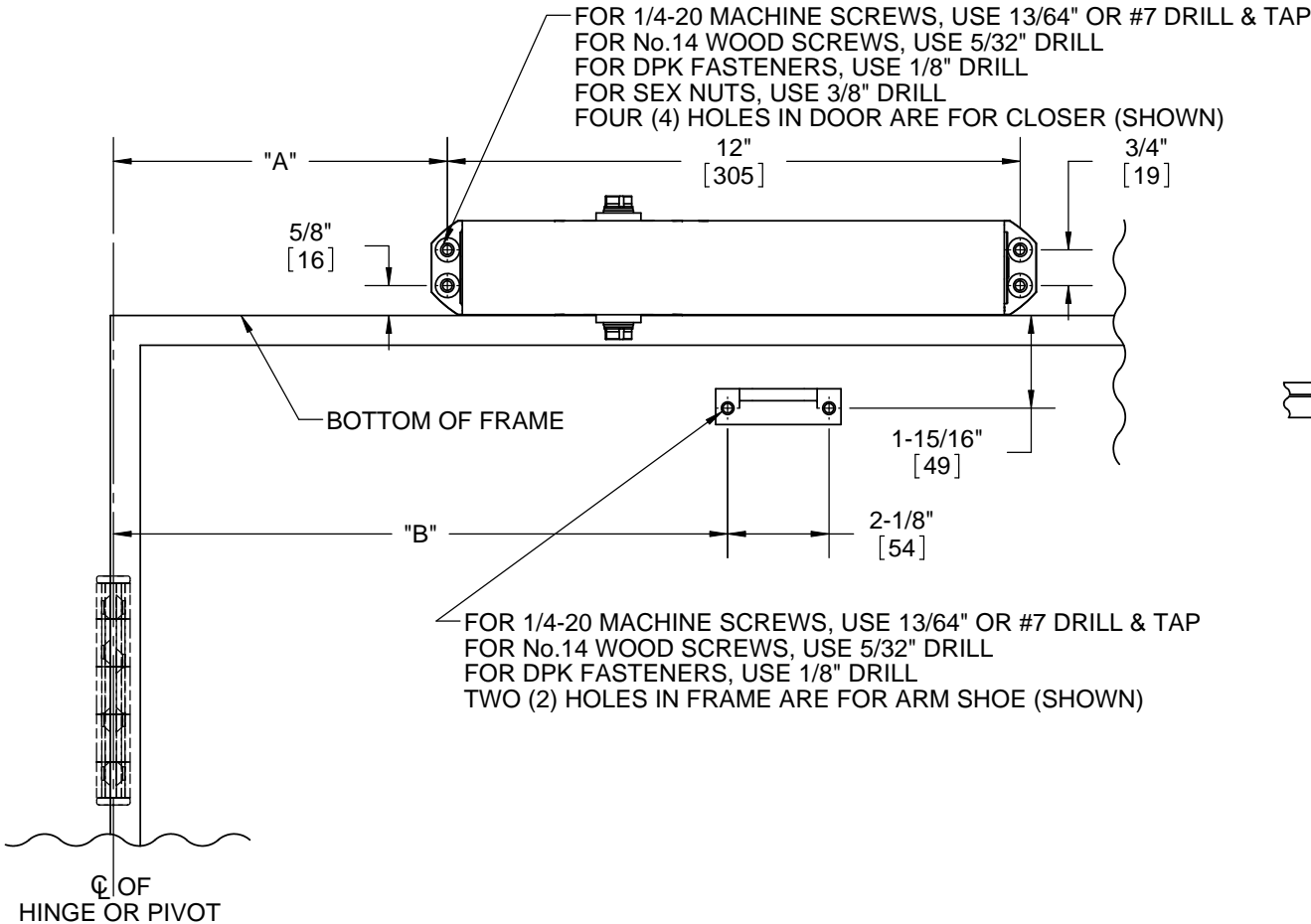


NOTES:

- 1) DO NOT SCALE THIS DRAWING
- 2) DIMENSIONS ARE IN INCHES / [MM]
- 3) LEFT HAND DOOR IS SHOWN
- 4) CAUTION: SEX NUTS ARE REQUIRED FOR ATTACHMENT OF COMPONENTS TO UNREINFORCED DOORS AND TO WOOD OR PLASTIC FACE COMPOSITE TYPE FIRE DOORS, UNLESS AN ALTERNATIVE METHOD IS IDENTIFIED IN THE INDIVIDUAL DOOR MANUFACTURER'S LISTINGS.
- 5) PLEASE SEE CATALOG FOR REVEAL INFORMATION.
- 6) OPTIONAL DPK FASTENERS (DPK86) FOR STEEL DOOR & FRAME ONLY.

ANGLE OF CUSHION	DIMENSION "A" (CLOSER)	DIMENSION "B" (ARM SHOE)
83° - 85°	$\frac{7"}{[178]}$	$\frac{12-7/8"}{[327]}$
88° - 90°	$\frac{6-1/4"}{[159]}$	$\frac{12-3/8"}{[314]}$
93° - 95°	$\frac{6"}{[152]}$	$\frac{12"}{[305]}$
98° - 100°	$\frac{5-3/4"}{[146]}$	$\frac{11-1/2"}{[292]}$
103° - 105°	$\frac{5-1/2"}{[140]}$	$\frac{11-1/4"}{[286]}$
108° - 110°	$\frac{5-1/4"}{[133]}$	$\frac{11"}{[279]}$



DOOR CLOSER MODELS: 8616 ISJ
 TOP JAMB INSTALLATION (PUSH SIDE MOUNT)
 INTEGRA CUSHION ARM

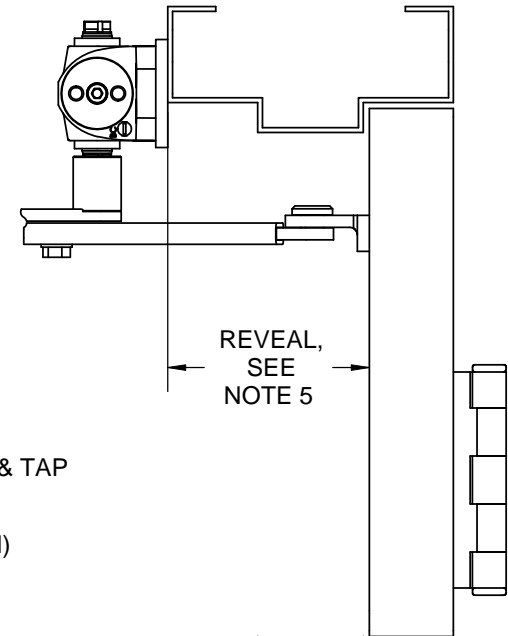
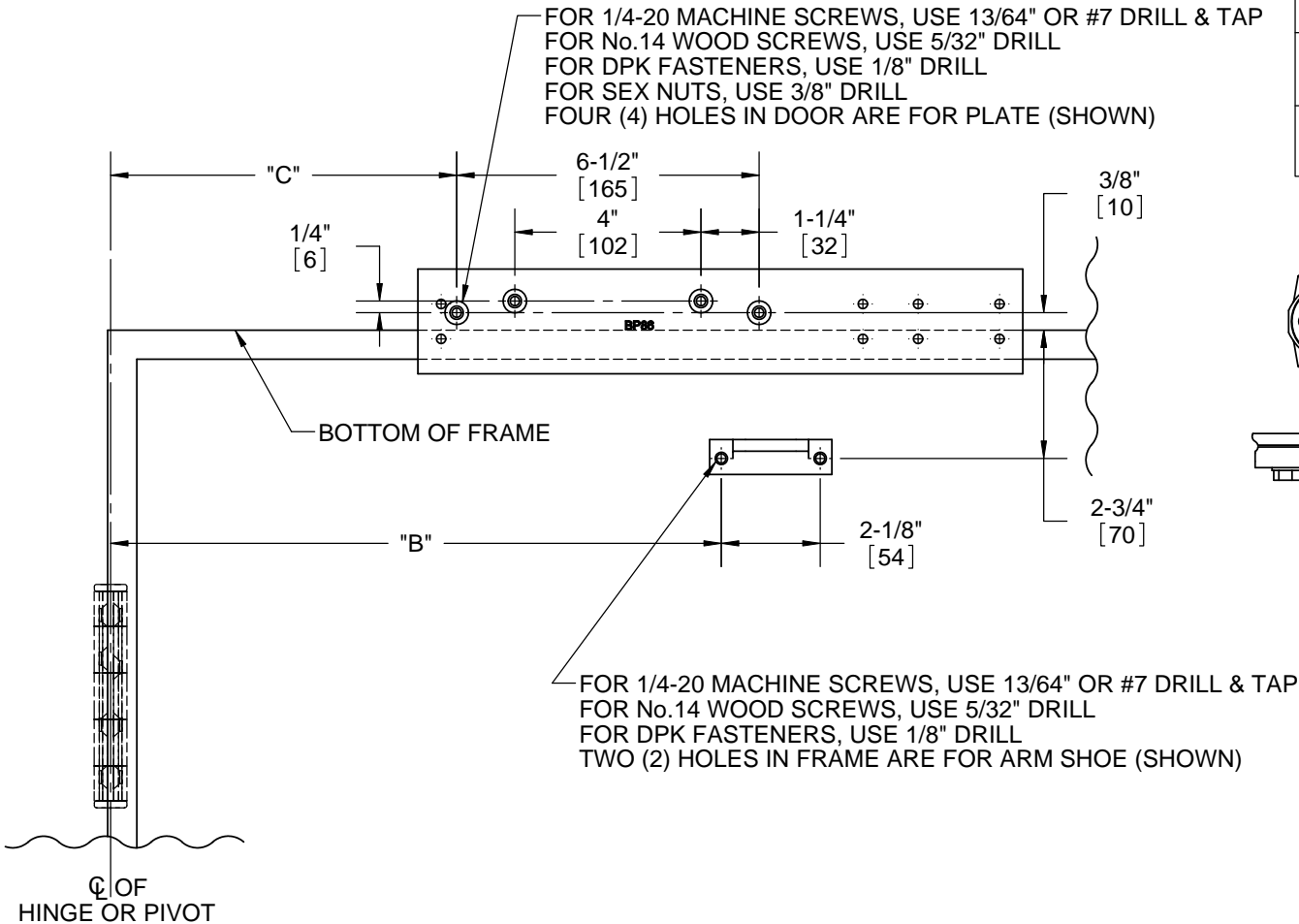


DORMA Architectural Hardware
 Reamstown, PA 17567

NOTES:

- 1) DO NOT SCALE THIS DRAWING
- 2) DIMENSIONS ARE IN INCHES / [MM]
- 3) LEFT HAND DOOR IS SHOWN
- 4) CAUTION: SEX NUTS ARE REQUIRED FOR ATTACHMENT OF COMPONENTS TO UNREINFORCED DOORS AND TO WOOD OR PLASTIC FACE COMPOSITE TYPE FIRE DOORS, UNLESS AN ALTERNATIVE METHOD IS IDENTIFIED IN THE INDIVIDUAL DOOR MANUFACTURER'S LISTINGS.
- 5) PLEASE SEE CATALOG FOR REVEAL INFORMATION.
- 6) OPTIONAL DPK FASTENERS (DPK86) FOR STEEL DOOR & FRAME ONLY.

ANGLE OF CUSHION	DIMENSION "B" (ARM SHOE)	DIMENSION "C" (PLATE)
83° - 85°	13-1/8" [333]	7-7/16" [189]
88° - 90°	12-5/8" [321]	6-11/16" [170]
93° - 95°	12-1/4" [331]	6-7/16" [164]
98° - 100°	11-3/4" [298]	6-3/16" [157]
103° - 105°	11-3/8" [289]	5-11/16" [144]
108° - 110°	11" [279]	5-7/16" [138]



DOOR CLOSER MODELS: 8616 ISJ
 TOP JAMB INSTALLATION (PUSH SIDE MOUNT)
 WITH BACK PLATE BP86 & BP86FC
 INTEGRA CUSHION ARM

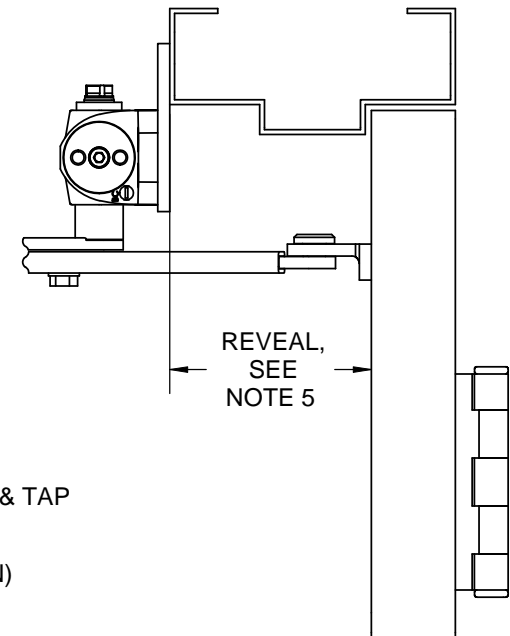
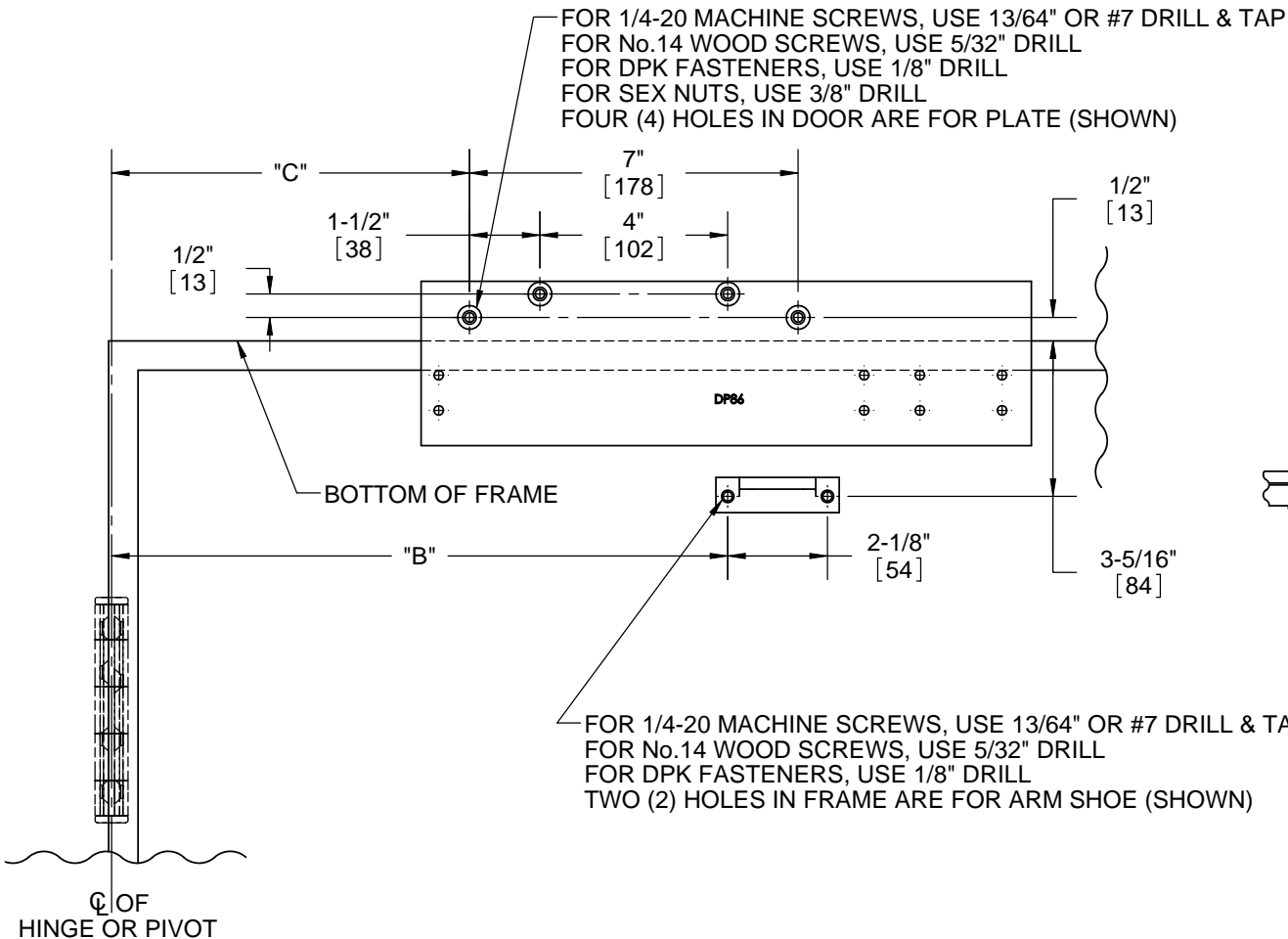


DORMA Architectural Hardware
 Reamstown, PA 17567

NOTES:

- 1) DO NOT SCALE THIS DRAWING
- 2) DIMENSIONS ARE IN INCHES / [MM]
- 3) LEFT HAND DOOR IS SHOWN
- 4) CAUTION: SEX NUTS ARE REQUIRED FOR ATTACHMENT OF COMPONENTS TO UNREINFORCED DOORS AND TO WOOD OR PLASTIC FACE COMPOSITE TYPE FIRE DOORS, UNLESS AN ALTERNATIVE METHOD IS IDENTIFIED IN THE INDIVIDUAL DOOR MANUFACTURER'S LISTINGS.
- 5) PLEASE SEE CATALOG FOR REVEAL INFORMATION.
- 6) OPTIONAL DPK FASTENERS (DPK86) FOR STEEL DOOR & FRAME ONLY.

ANGLE OF CUSHION	DIMENSION "B" (ARM SHOE)	DIMENSION "C" (PLATE)
83° - 85°	13-1/8" [333]	7-5/8" [194]
88° - 90°	12-5/8" [321]	6-7/8" [175]
93° - 95°	12-1/4" [331]	6-5/8" [168]
98° - 100°	11-3/4" [298]	6-3/8" [162]
103° - 105°	11-3/8" [289]	5-7/8" [149]
108° - 110°	11" [279]	5-5/8" [143]



DOOR CLOSER MODELS: 8616 ISJ
 TOP JAMB INSTALLATION (PUSH SIDE MOUNT)
 WITH DROP PLATE DP86
 INTEGRA CUSHION ARM



DORMA Architectural Hardware
 Reamstown, PA 17567