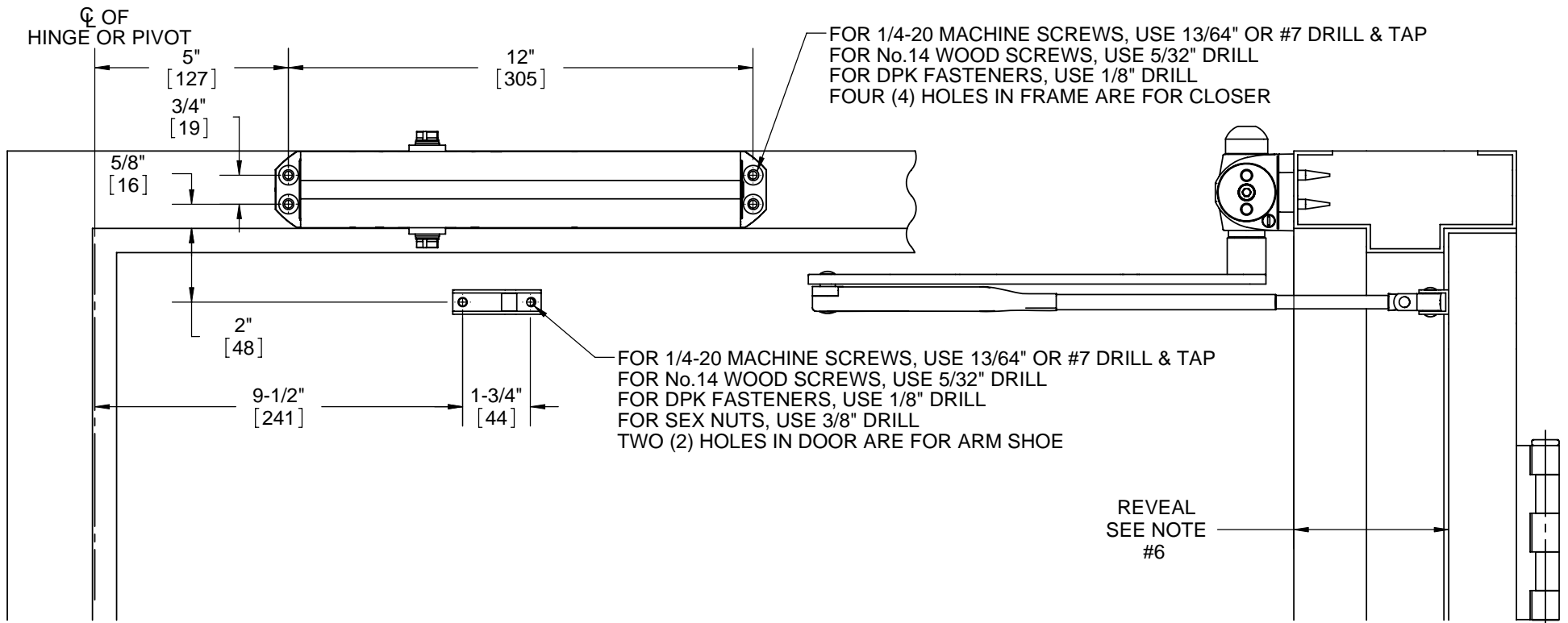


Always consult DORMA's web site for latest template at [www.dorma-usa.com](http://www.dorma-usa.com) or call 1-800-523-8483.

NOTES:

- 1) DO NOT SCALE THIS DRAWING
- 2) DIMENSIONS ARE IN INCHES / [MM]
- 3) LEFT HAND DOOR IS SHOWN
- 4) CAUTION: SEX NUTS ARE REQUIRED FOR ATTACHMENT OF COMPONENTS TO UNREINFORCED DOORS AND TO WOOD OR PLASTIC FACE COMPOSITE TYPE FIRE DOORS, UNLESS AN ALTERNATIVE METHOD IS IDENTIFIED IN THE INDIVIDUAL DOOR MANUFACTURER'S LISTINGS.
- 5) MAX. OPENING 180 DEG.
- 6) SEE CATALOG FOR REVEAL INFORMATION
- 7) OPTIONAL DPK FASTENERS (DPK89) FOR STEEL DOOR & FRAME ONLY.



DOOR CLOSER MODELS: 8616 ARJ  
TOP JAMB INSTALLATION (PUSH SIDE MOUNT)



DORMA Architectural Hardware  
Reamstown, PA 17567