



7400 SIS, SISJ SISH, SISJH



Surface closer

Installation instructions

Pull side stop SIS arm regular mount

Push side stop SISJ arm top jamb mount

Pull side stop SISH arm regular mount, with hold open

Push side stop SISJH arm top jamb mount, with hold open

TABLE OF CONTENTS



Technical specifications	
Size selection chart	
Spring size chart	2
Closer setup	
Surface closer system	
Handing of the door	
Tools recommended	3
Installation Instructions	
Mounting surface closer & arm assembly (reg mnt)	4-5
Mounting surface closer & arm assembly (top jamb mnt)	6-7
Adjustments	
Setting the hold open (SISH & SISJH)	
Adjusting the closing speeds	8
Installing the closer cover	
Installing the full cover (only)	8

Technical specifications

Size selection chart

Arm	Closer	Interior/ Exterior	Door Width				
			2'-0"	2'-6" max.	3'-0" max.	3'-6" max.	4'-0" max.
SIS, SISH,	7414	Interior	•	•	♿	♿	NA
		Exterior	•	•	•	NA	NA
SISJ, SISJH	7436	Interior	NA	NA	•	•	•
		Exterior	NA	•	•	•	•

Spring size chart

Regular & top jamb closers			
Maximum size of door width			
Closer size	Interior	Exterior	Full turns
1			
2	28"		-6 CCW
3	36"	28"	0 CCW
4	42"	36"	+3 CW

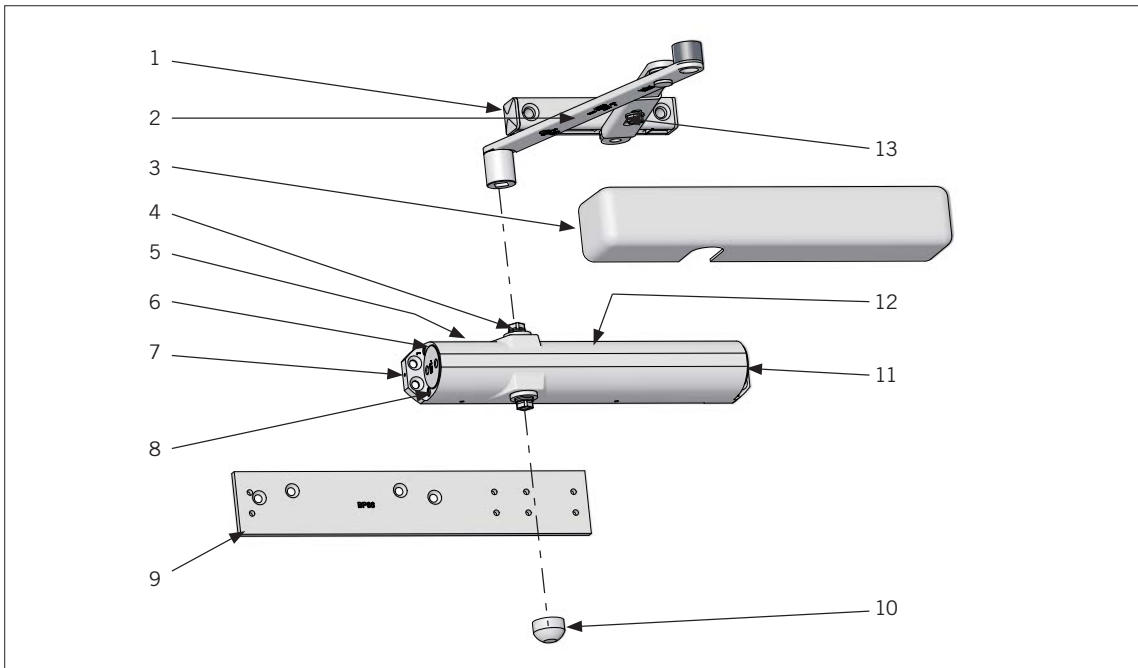
7400 SIS, SISH, SISJ, SISJH

Closer setup

- ⚠ Follow included template to properly prepare door frame for all accessories of the closer installation.

⚠ Know the swing of the door which is being installed prior to installation.
- ⚠ Verify closer spring size prior to installation. See "Spring size chart" on page 2.

⚠ Make sure door efficiently operates prior to installing closer.

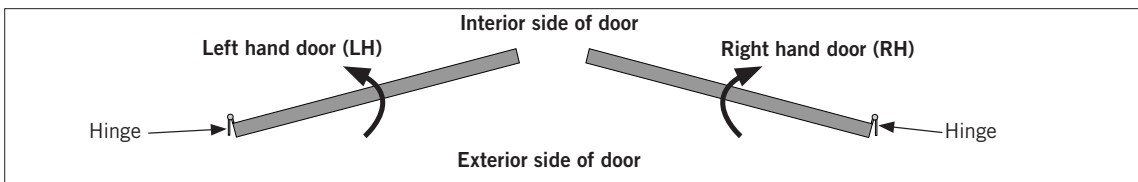


Surface closer system

The closer is comprised of the following components.

- | | |
|--|---|
| <ol style="list-style-type: none"> 1. Damper assembly 2. Main arm 3. Cover 4. Pinion 5. Delayed action adjustment 6. Latch speech adjustment 7. Closer body | <ol style="list-style-type: none"> 8. Closing/sweep speed adjustment 9. Optional backplate 10. Dust cap 11. Backcheck adjustment 12. Backcheck positioning 13. Connecting arm |
|--|---|

Handing of the door



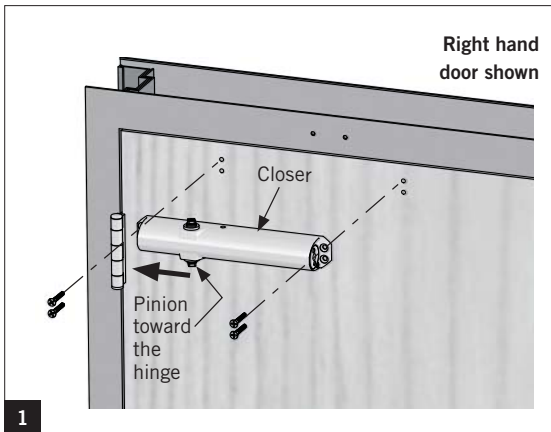
Tools recommended

- Drill Bits
 - Metal: 7/32" & 1/4-20 tap
 - Wood: 5/32"
 - DPK: 1/8"
 - Sex nut: 3/8"
- #3 Phillips screwdriver
- 1/2" or 13mm box wrench
- 10" adjustable wrench
- 3/16" hex key
- 5mm hex key (supplied)

7400 SIS, SISH PULL SIDE, REGULAR MOUNT

Installation Instructions

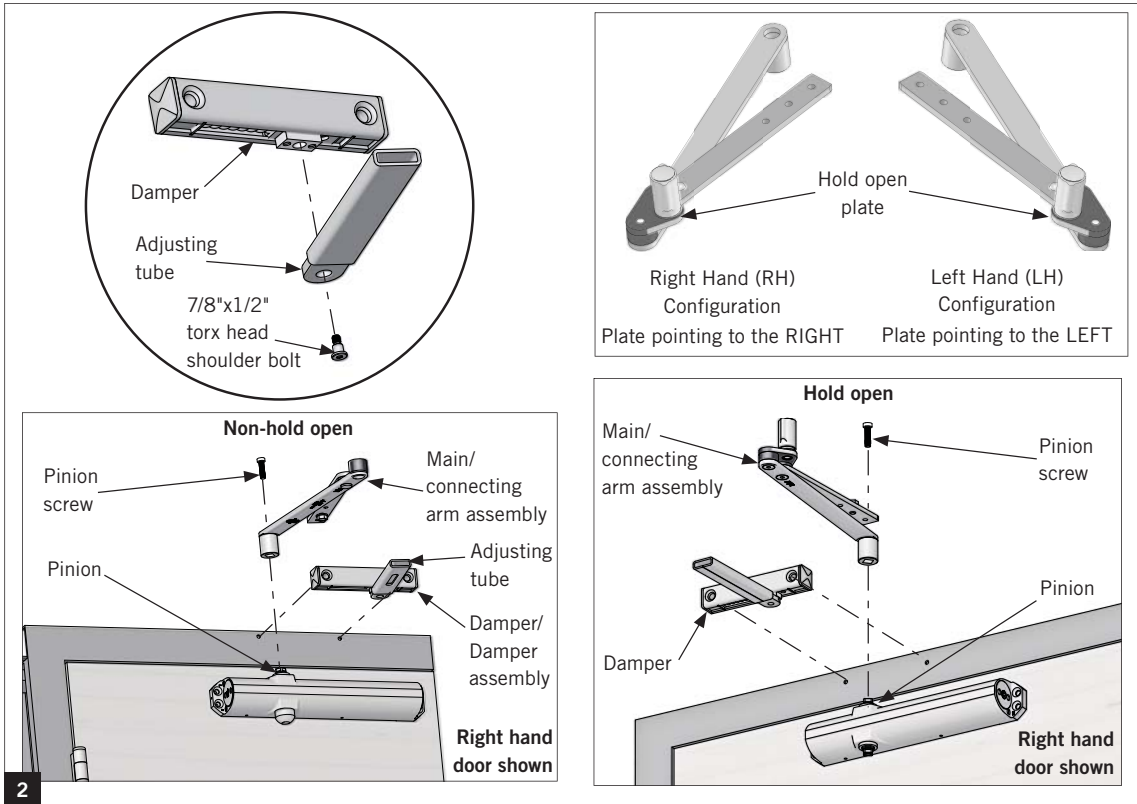
Mounting the surface closer & arm assembly (reg. mnt)



NOTE: Orient pinion closest to hinge.

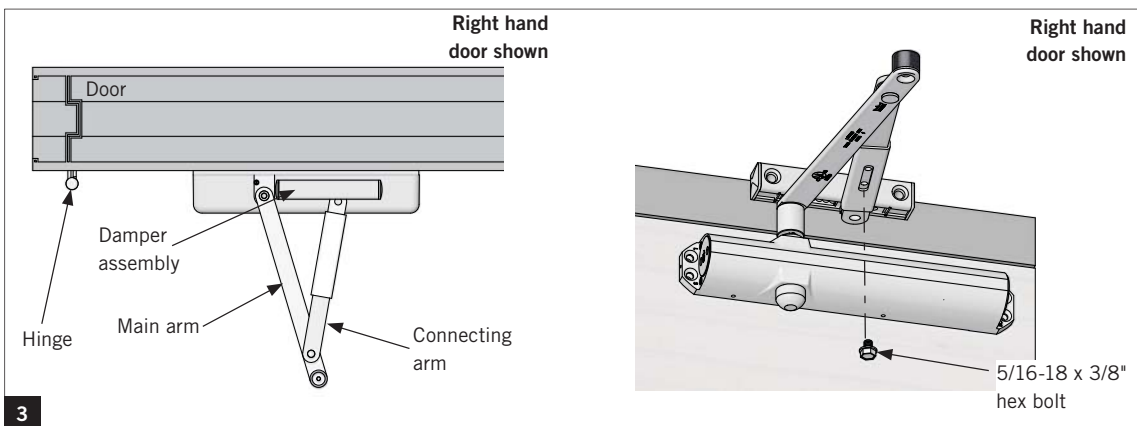
- 1.1 Secure closer body to mounting surface.
- Use four 1-1/4" combo screws provided.

7400 SIS, SISH PULL SIDE, REGULAR MOUNT



- 2.1** Secure adjusting tube to damper.
- Use one 7/8" x 1/2" torx head shoulder bolt provided.
- 2.2** Secure damper assembly to frame.
- Use two 5/16" x 2" flat head screws [#20 x 2" flat head wood screws] provided.
- 2.3** Secure main arm to operator pinion.
- Use a torque wrench (25 ft-lbs) and provided pinion screw [M8 x 30 socket head cap screw].

- NOTE: To disassemble hold open plate:**
- Remove both screws from bottom of plate using a 3/16" hex key.
 - Keeping all washers in place, flip plate over to orient as per image above.
 - Re-secure plate with both screws.

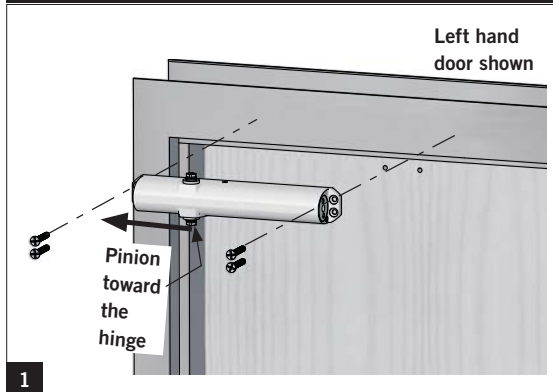


- 3.1** Slide end of connecting arm into end of damper assembly.

- 3.2** Secure connecting arm and damper assembly.
- Use provided fastener [5/16-18 x 3/8 hex bolt].

7400 SISJ, SISJH PUSH SIDE, TOP JAMB MOUNT

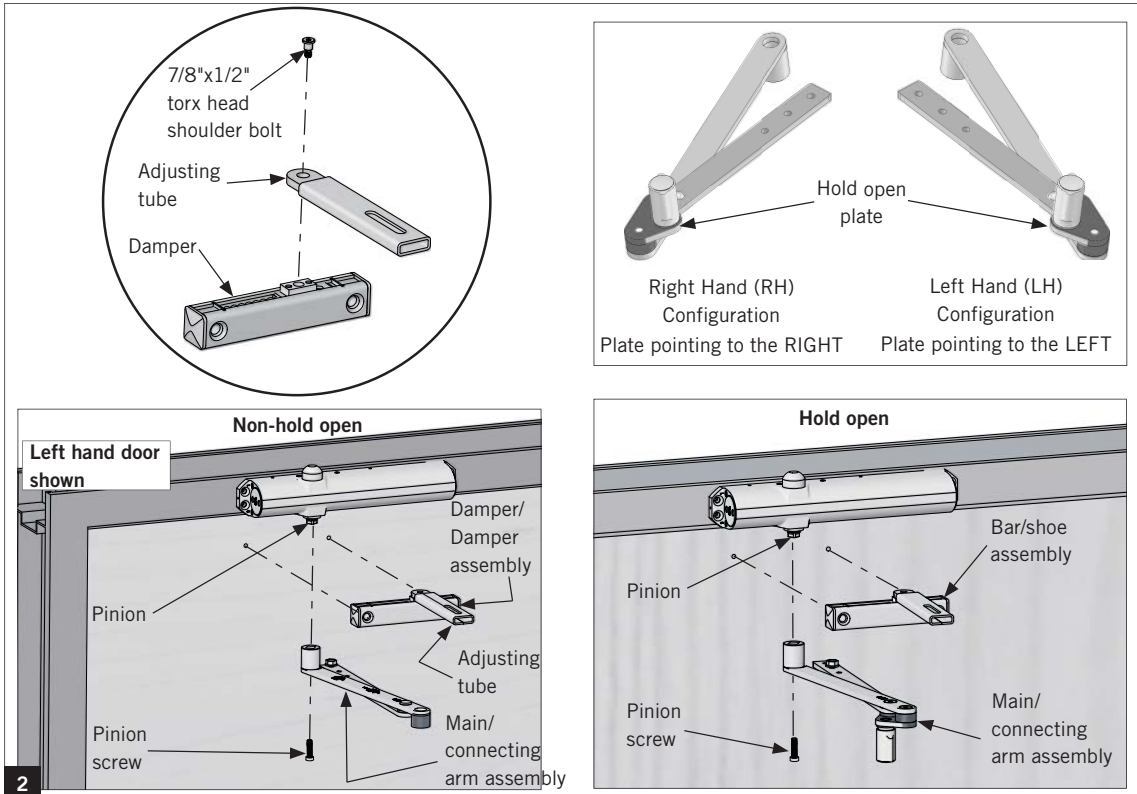
Mounting the surface closer & arm assembly (top jamb mnt)



NOTE: Orient pinion closest to hinge.

- 1.1 Secure closer body to plate.
- Use four 1/4-20 x 5/8" Phillips flat head screws provided with the plate itself.

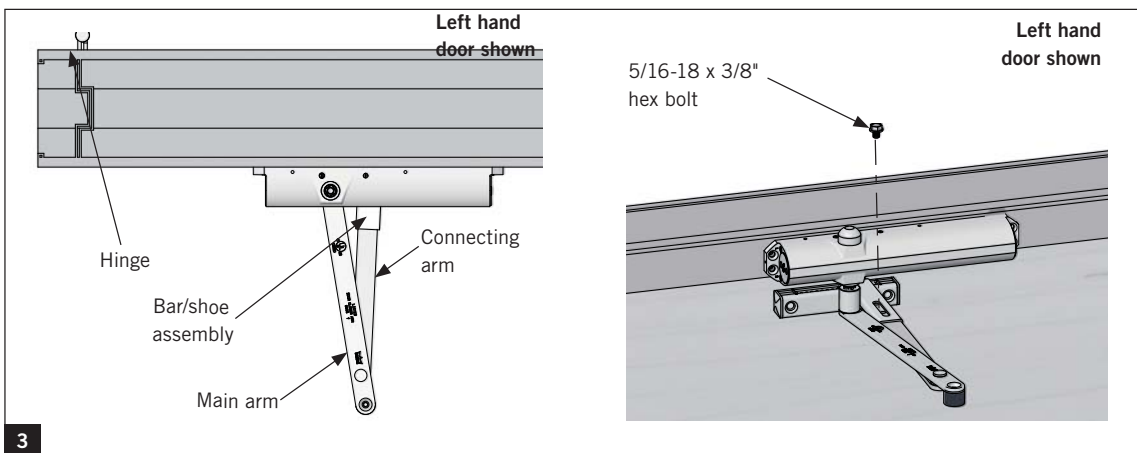
7400 SISJ, SISJH PUSH SIDE, TOP JAMB MOUNT



- 2.1** Secure adjusting tube to damper.
- Use one 7/8" x 1/2" torx head shoulder bolt provided.
- 2.2** Secure damper assembly to frame.
- Use two 5/16" x 2" flat head screws [#20 x 2" flat head wood screws] provided.
- 2.3** Secure main arm to operator pinion.
- Use a torque wrench (25 ft-lbs) and provided pinion screw [M8 x 30 socket head cap screw].

NOTE: To disassemble hold open plate:

- Remove both screws from bottom of plate using a 3/16" hex key.
- Keeping all washers in place, flip plate over to orient as per image above.
- Re-secure plate with both screws.



- 3.1** Slide end of connecting arm into end of damper assembly.

- 3.2** Secure connecting arm and bar/shoe assembly.
- Use provided fastener [5/16-18 x 3/8 hex bolt].

7400 SIS, SISH, SISJ, SISJH CLOSER ADJUSTMENTS

Adjustments

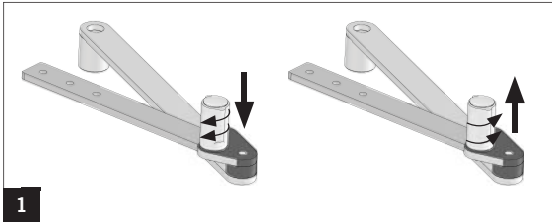
⚠ Confirm closer spring size prior to making any closing speed adjustments.

⚠ Do not back valves out beyond closer casting.

⚠ Maximum opening angle is 110°.

⚠ Door should close in 3 to 6 seconds from 90°.

Setting the hold open (SISH and SISJH)



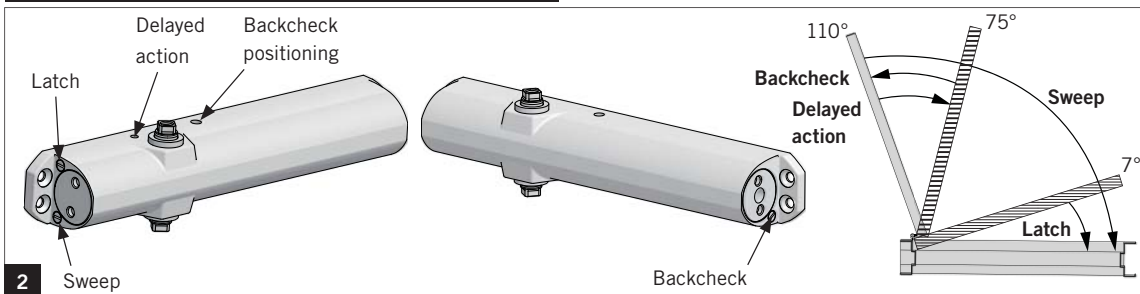
1.1 Enabling or disabling hold open.

- Twist hold open handle up or down to loosen or tighten, respectively, the hold open capacity.

1.2 Engaging or disengaging hold open.

- Engaging hold open: Push door open until hold open ball connects with detent in handle.
- Disengaging hold open: Pull door to pop hold open ball out of detent.

Adjusting the closing speeds: sweep, latch, and backcheck



2.1 Adjust **sweep speed** for the area from 70° - 10°.

- Increase sweep speed: Turn valve counter-clockwise
- Decrease sweep speed: Turn valve clockwise

2.2 Adjust **latch speed** from 10° - 0°.

- Increase latch speed: Turn valve counter-clockwise
- Decrease latch speed: Turn valve clockwise

2.3 Adjust **backcheck** for the area from 110° - 75°.

- Increase resistance: Turn valve clockwise
- Decrease resistance: Turn valve counter-clockwise.

2.4 Adjusting **Backcheck positioning** will advance approximately 15° in the "ON" position. Shipped from factory fully "ON".

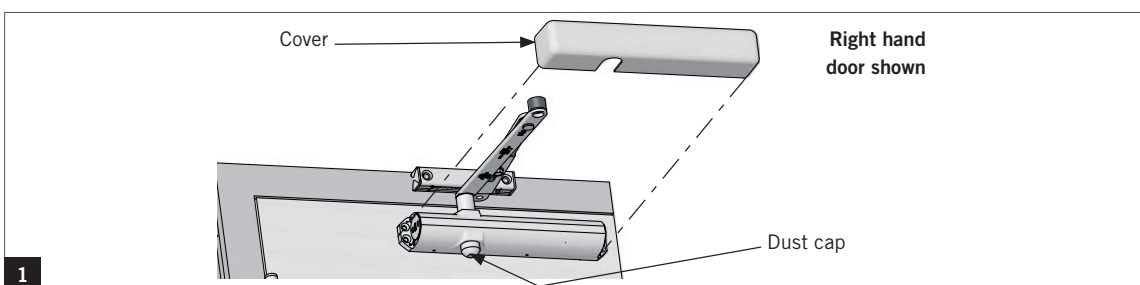
- Turn OFF: Rotate counter-clockwise
- Turn ON: Rotate clockwise

2.5 Adjust **Delayed Action** for the area from 75° - 110°.

- Increase delay: Turn valve counter-clockwise
- Decrease delay: Turn valve clockwise

Installing the closer cover

Installing the full cover (only)



1.1 Snap cover over closer body.

1.2 Screw dust cap onto exposed pinion.



DORMA USA, INC.
DORMA DRIVE, DRAWER AC
REAMSTOWN, PA 17567
TOLL-FREE: 800-523-8483
FAX: 800-274-9724
WWW.DORMA-USA.COM