

**NOTES:**

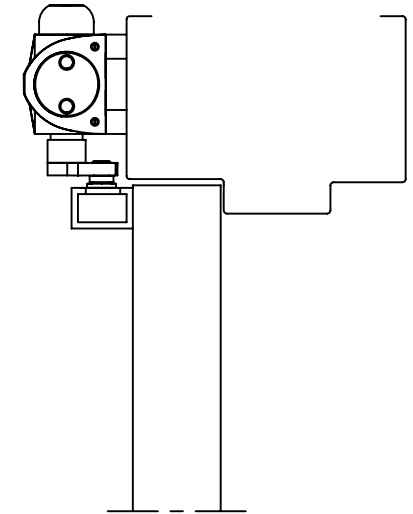
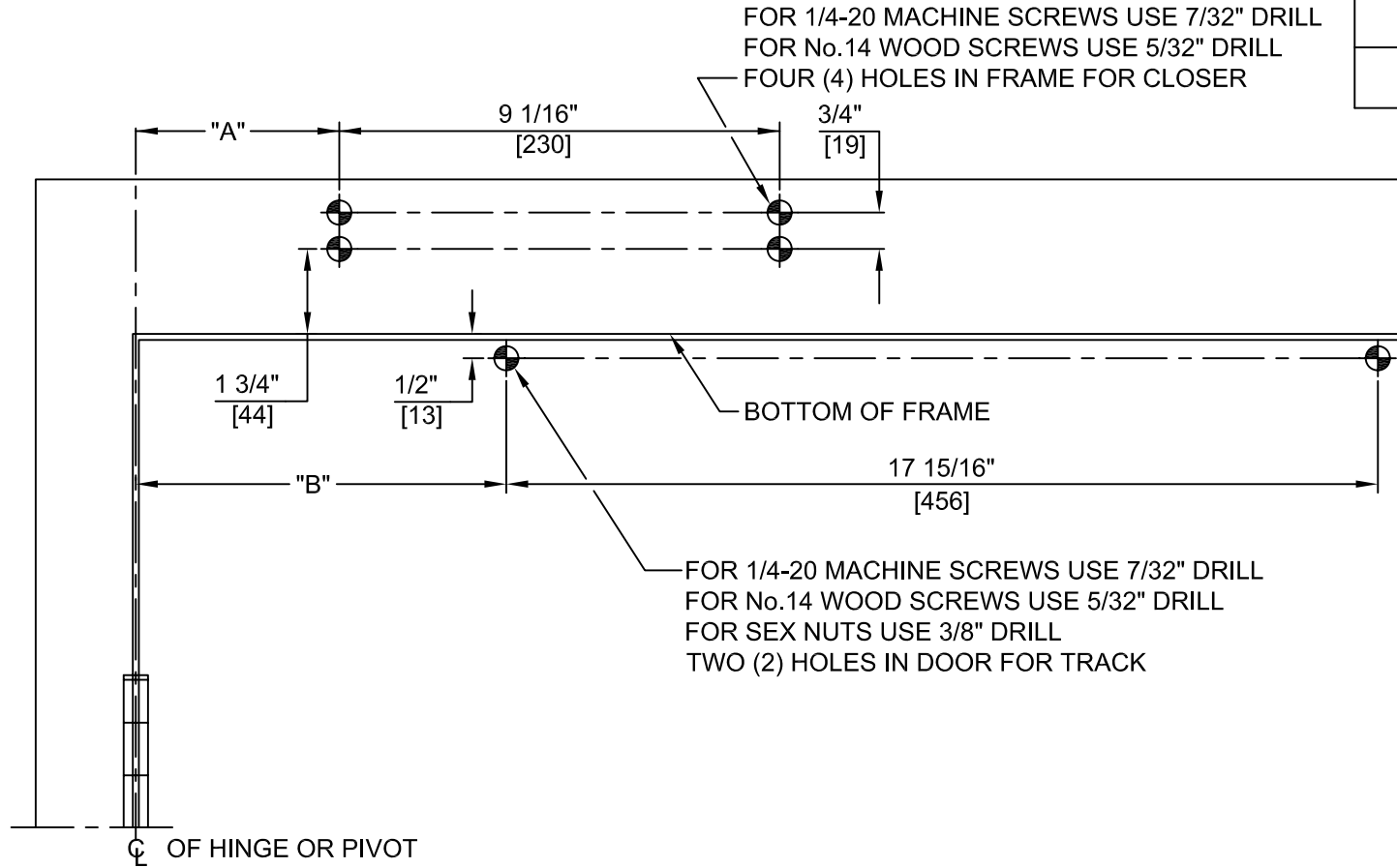
1. DO NOT SCALE DRAWING.
2. DIMENSIONS ARE IN INCHES/(MM).
3. RIGHT HAND DOOR SHOWN.
4. CAUTION: SEX NUTS ARE REQUIRED FOR ATTACHMENT OF COMPONENTS TO UNREINFORCED DOORS AND TO WOOD OR PLASTIC FACED COMPOSITE TYPE FIRE DOORS, UNLESS AN ALTERNATIVE METHOD IS IDENTIFIED IN THE INDIVIDUAL DOOR MANUFACTURER'S LISTINGS.
5. MAX. OPENING IS 180°.

No.

REVISIONS

DATE

ANGLE OF OPENING	DIM. "A" CLOSER	DIM. "B" TRACK	HOLD OPEN RANGE
85°	$\frac{4-1/4}{(108)}$	$\frac{10-3/8}{(263)}$	30°-83°
90°	$\frac{4-1/4}{(108)}$	$\frac{9-3/8}{(238)}$	30°-88°
110°	$\frac{3}{(76)}$	$\frac{7-1/2}{(190)}$	30°-108°
180°	$\frac{2-1/2}{(63)}$	$\frac{4-7/8}{(124)}$	30°-160°



DOOR CLOSER MODELS: 7302 - 7305 T, TH  
TRACK INSTALLATION (PULL SIDE MOUNT)



DORMA Architectural Hardware  
REAMSTOWN, PENNSYLVANIA 17567

TEMPLATE No. 7300-26

No.

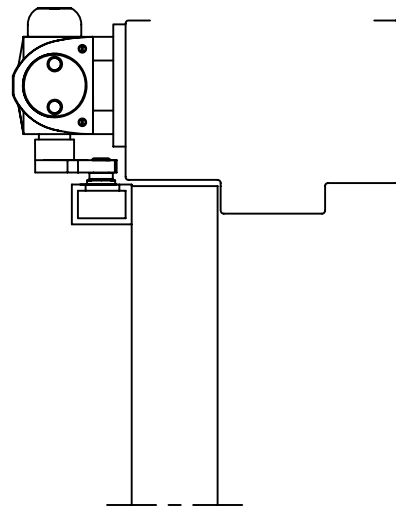
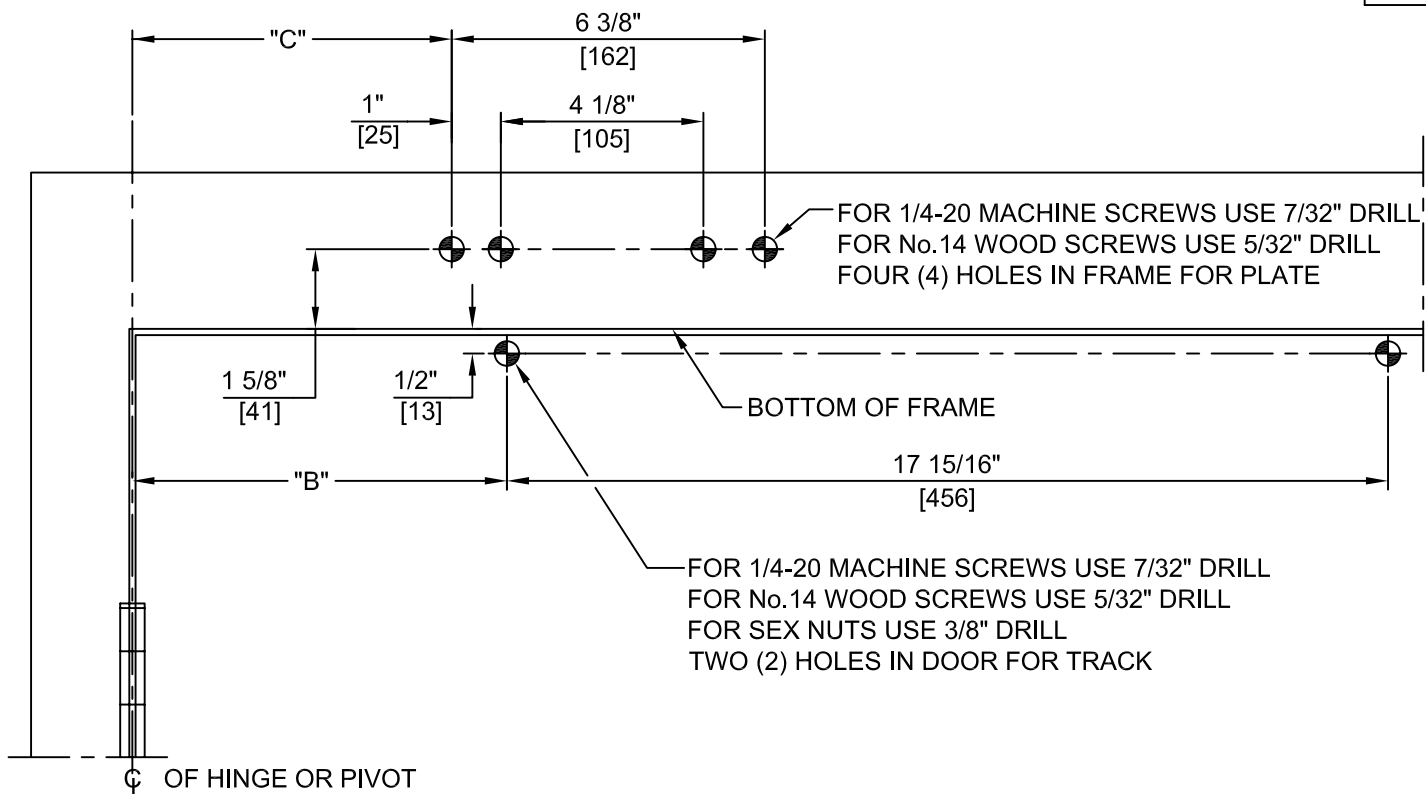
REVISIONS

DATE

**NOTES:**

- DO NOT SCALE DRAWING.
- DIMENSIONS ARE IN INCHES/(MM).
- RIGHT HAND DOOR SHOWN.
- CAUTION: SEX NUTS ARE REQUIRED FOR ATTACHMENT OF COMPONENTS TO UNREINFORCED DOORS AND TO WOOD OR PLASTIC FACED COMPOSITE TYPE FIRE DOORS, UNLESS AN ALTERNATIVE METHOD IS IDENTIFIED IN THE INDIVIDUAL DOOR MANUFACTURER'S LISTINGS.
- MAX. OPENING IS 180°.

ANGLE OF OPENING	DIM. "C" PLATE	DIM. "B" TRACK	HOLD OPEN RANGE
85°	$\frac{6-1/2}{(165)}$	$\frac{10-3/8}{(263)}$	30°-83°
90°	$\frac{6-1/2}{(165)}$	$\frac{9-3/8}{(238)}$	30°-88°
110°	$\frac{5-1/4}{(133)}$	$\frac{7-1/2}{(190)}$	30°-108°
180°	$\frac{4-3/4}{(121)}$	$\frac{4-7/8}{(124)}$	30°-160°



DOOR CLOSER MODELS: 7302 - 7305 T, TH  
 TRACK INSTALLATION (PULL SIDE MOUNT)  
 WITH PLATES BP73T, BP86T, BP86TFC



DORMA Architectural Hardware  
 REAMSTOWN, PENNSYLVANIA 17567

TEMPLATE No. 7300-27