

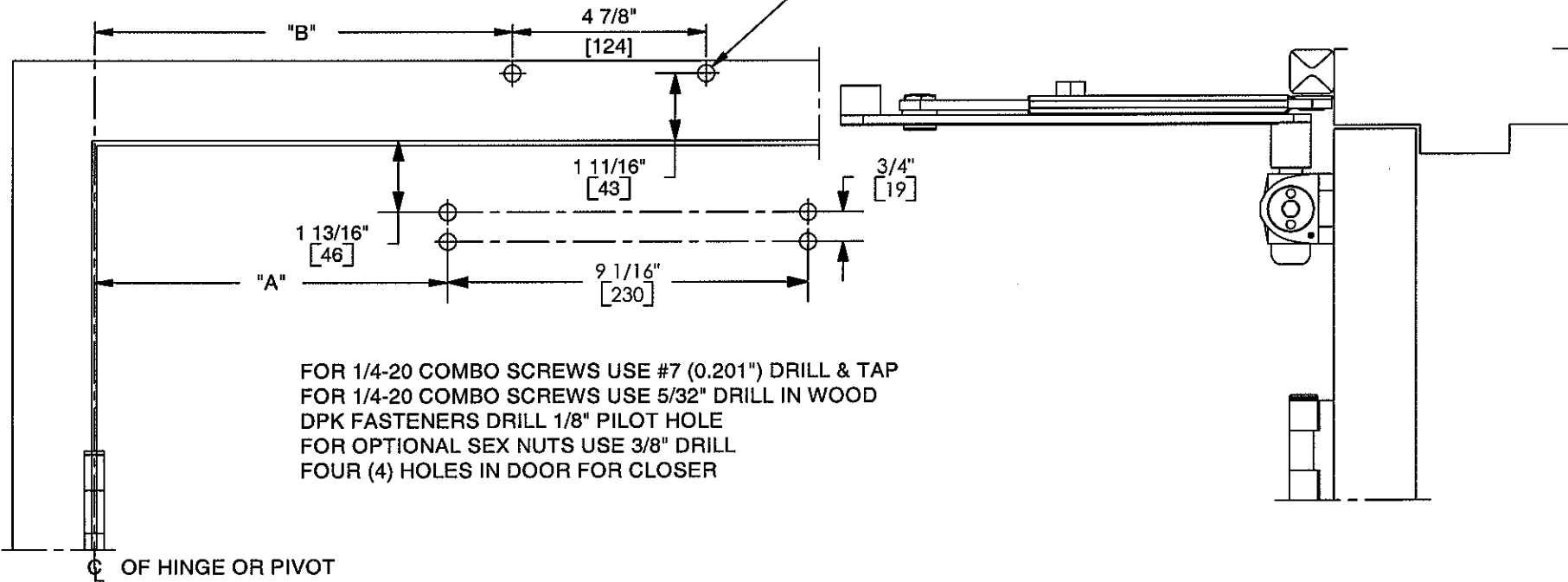
Always consult DORMA's web site for latest template at www.dorma-usa.com or call 1-800-523-8483.

NOTES:

1. DO NOT SCALE DRAWING.
2. RIGHT HAND DOOR SHOWN.
3. DIMENSIONS ARE IN INCHES/(MM).
4. CAUTION: SEX NUTS ARE REQUIRED FOR ATTACHMENT OF COMPONENTS TO UNREINFORCED DOORS AND TO WOOD OR PLASTIC FACED COMPOSITE TYPE FIRE DOORS, UNLESS AN ALTERNATIVE METHOD IS IDENTIFIED IN THE INDIVIDUAL DOOR MANUFACTURER'S LISTINGS.
5. OPTIONAL DPK FASTENERS (DPK86) FOR STEEL DOOR & FRAME ONLY.

DEGREE OF DEAD STOP	DIM. "A" CLOSER	DIM. "B" ARM SHOE
85°	9-3/8 (238)	12-1/4 (311)
90°	8-7/8 (225)	11-3/4 (298)
100°	7-7/8 (200)	10-3/4 (273)
110°	7-1/8 (181)	10 (254)

FOR 5/16-18 MACHINE SCREWS USE #F (0.257") DRILL & TAP
 FOR No. 20 WOOD SCREWS USE 7/32" DRILL
 DPK FASTENERS DRILL 1/8" PILOT HOLE
 TWO (2) HOLES IN FRAME FOR ARM SHOE



FOR 1/4-20 COMBO SCREWS USE #7 (0.201") DRILL & TAP
 FOR 1/4-20 COMBO SCREWS USE 5/32" DRILL IN WOOD
 DPK FASTENERS DRILL 1/8" PILOT HOLE
 FOR OPTIONAL SEX NUTS USE 3/8" DRILL
 FOUR (4) HOLES IN DOOR FOR CLOSER

DOOR CLOSER MODELS: 7300 S-IS, S-ISH (DEAD STOP ARM)
 REGULAR INSTALLATION (PULL SIDE MOUNT)



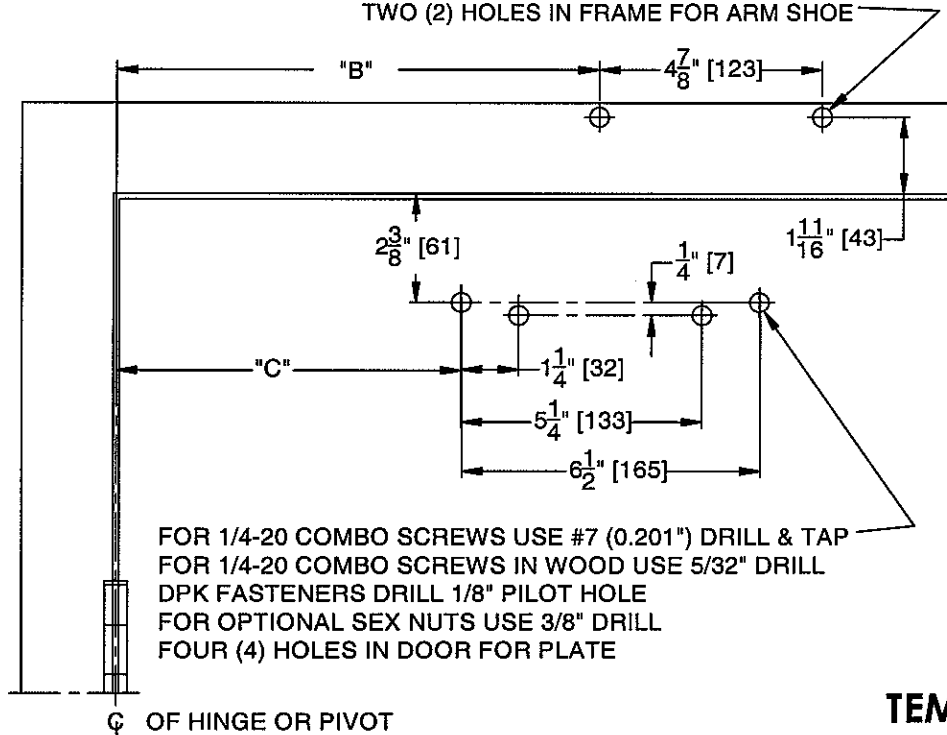
DORMA Door Controls
 Reamstown, PA 17567

Always consult DORMA's web site for latest template at www.dorma-usa.com or call 1-800-523-8483.

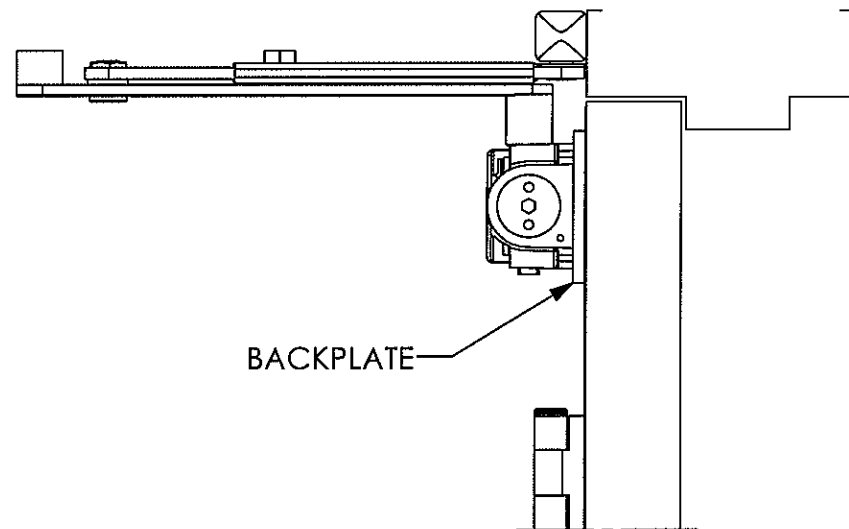
NOTES:

1. DO NOT SCALE DRAWING.
2. RIGHT HAND DOOR SHOWN.
3. DIMENSIONS ARE IN INCHES/(MM).
4. CAUTION: SEX NUTS ARE REQUIRED FOR ATTACHMENT OF COMPONENTS TO UNREINFORCED DOORS AND TO WOOD OR PLASTIC FACED COMPOSITE TYPE FIRE DOORS, UNLESS AN ALTERNATIVE METHOD IS IDENTIFIED IN THE INDIVIDUAL DOOR MANUFACTURER'S LISTINGS.
5. **OPTIONAL DPK FASTENERS (DPK86) FOR STEEL DOOR & FRAME ONLY.**

FOR 5/16-18 MACHINE SCREWS USE #F (0.257") DRILL & TAP
 FOR No. 20 WOOD SCREWS USE 7/32" DRILL
 DPK FASTENERS DRILL 1/8" PILOT HOLE
 TWO (2) HOLES IN FRAME FOR ARM SHOE



DEGREE OF DEAD STOP	DIM. "B"	DIM. "C"
85°	12-1/4 (311)	9-3/4 (248)
90°	11-3/4 (298)	9-1/4 (235)
100°	10-3/4 (273)	8-1/4 (210)
110°	10 (254)	7-1/2 (190)



TEMPLATE FOR BACKPLATE MOUNTED ON DOOR

DOOR CLOSER MODELS: 7300 S-IS & S-ISH (DEAD STOP ARM)
 REGULAR INSTALLATION (PULL SIDE MOUNT) WITH BACKPLATE BP73



DORMA Door Controls
 Reamstown, PA 17567