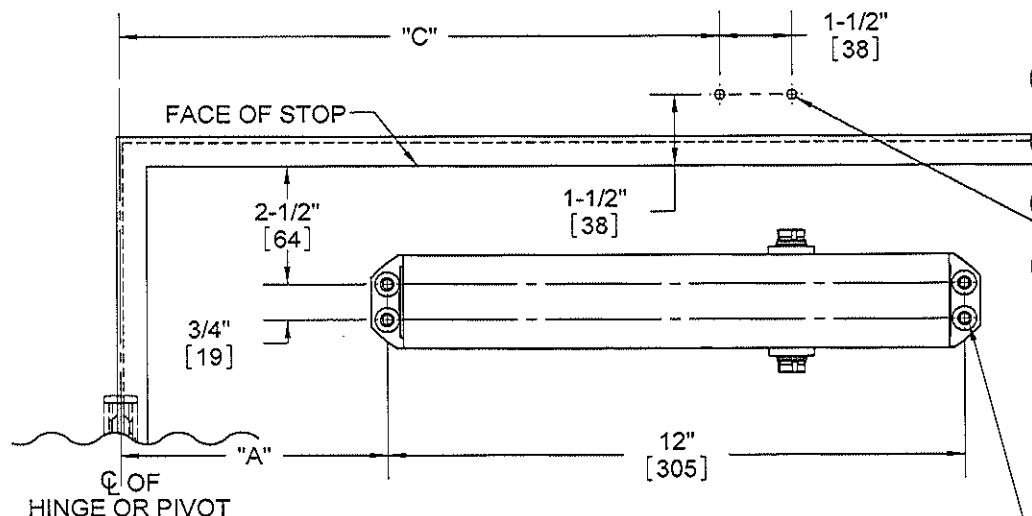


FOR 1/4-20 MACHINE SCREWS, USE 13/64" OR #7 DRILL & TAP
 FOR No.14 WOOD SCREWS, USE 5/32" DRILL
 FOR DPK FASTENERS, USE 1/8" DRILL
 FOUR (4) HOLES IN FRAME ARE FOR SOFFIT PLATE

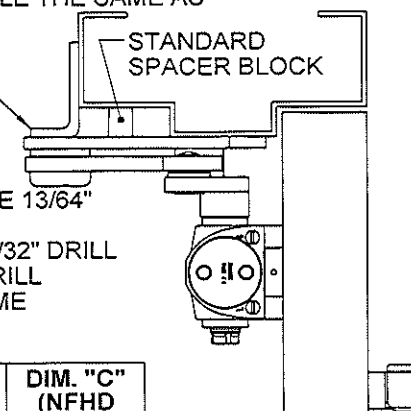
NOTES:

- 1) DO NOT SCALE THIS DRAWING
- 2) DIMENSIONS ARE IN INCHES / [MM]
- 3) LEFT HAND DOOR IS SHOWN
- 4) CAUTION: SEX NUTS ARE REQUIRED FOR ATTACHMENT OF COMPONENTS TO UNREINFORCED DOORS AND TO WOOD OR PLASTIC FACE COMPOSITE TYPE FIRE DOORS, UNLESS AN ALTERNATIVE METHOD IS IDENTIFIED IN THE INDIVIDUAL DOOR MANUFACTURER'S LISTINGS
- 5) FOR FRAME WIDTHS 4-1/2" AND LESS, USE OPTIONAL NFHD BRACKET W/O STANDARD SPACER BLOCK
- 6) MINIMUM DOOR WIDTH IS 26"
- 7) OPTIONAL DPK FASTENERS (DPK86) FOR STEEL DOOR & FRAME ONLY.

***IMPORTANT:** CHOOSE APPROPRIATE FIFTH HOLE LOCATION FOR SPACER BLOCK, IN ACCORDANCE WITH FRAME WIDTH. ONE (1) HOLE IN FRAME FOR STANDARD BLOCK. PREPARE HOLE THE SAME AS SOFFIT PLATE HOLES



FOR 1/4-20 MACHINE SCREWS, USE 13/64" OR #7 DRILL & TAP
 FOR No.14 WOOD SCREWS, USE 5/32" DRILL
 FOR DPK FASTENERS, USE 1/8" DRILL
 OPTIONAL TWO (2) HOLES IN FRAME ARE FOR NFHD BRACKET



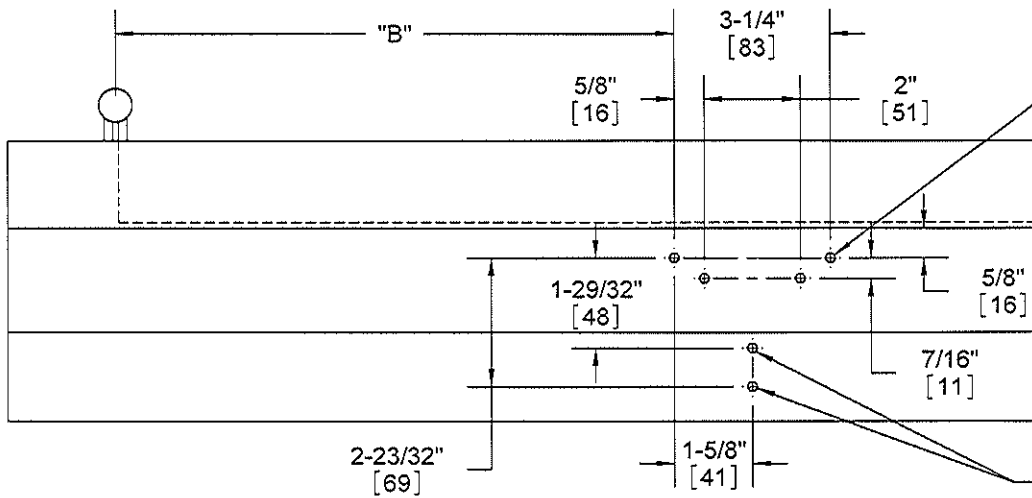
FOR 1/4-20 MACHINE SCREWS, USE 13/64" OR #7 DRILL & TAP
 FOR No.14 WOOD SCREWS, USE 5/32" DRILL
 FOR DPK FASTENERS, USE 1/8" DRILL
 FOR SEX NUTS, USE 3/8" DRILL
 FOUR (4) HOLES IN DOOR ARE FOR CLOSER (SHOWN)

ANGLE OF CUSHION	DIM. "A" (CLOSER)	DIM. "B" (SOFFIT PLATE)	DIM. "C" (NFHD BRACKET)
83° - 85°	5-9/16" [141]	11-5/8" [295]	12-1/2" [318]
88° - 90°	4-11/16" [119]	10-3/4" [273]	11-5/8" [295]
98° - 100°	3-7/16" [87]	9-1/2" [241]	10-3/8" [264]
108° - 110°	2-7/16" [37]	8-1/2" [216]	9-3/8" [238]

DOOR CLOSER MODELS: 8616 DS
 DOOR SAVER (PARALLEL ARM MOUNT)
 FOR USE WITH STANDARD SPACER BLOCK
 FOR USE WITH OPTIONAL NFHD BRACKET



DORMA Architectural Hardware
 Reamstown, PA 17567

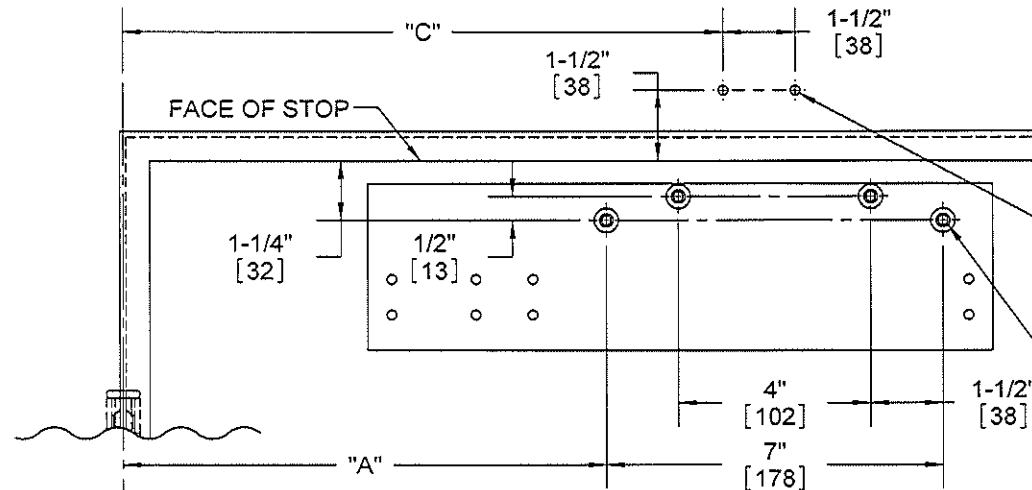


FOR 1/4-20 MACHINE SCREWS, USE 13/64" OR #7 DRILL & TAP
 FOR No.14 WOOD SCREWS, USE 5/32" DRILL
 FOR DPK FASTENERS, USE 1/8" DRILL
 FOUR (4) HOLES IN FRAME ARE FOR SOFFIT PLATE

NOTES:

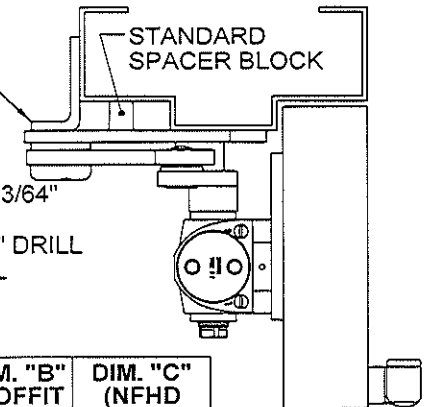
- 1) DO NOT SCALE THIS DRAWING
- 2) DIMENSIONS ARE IN INCHES / [MM]
- 3) LEFT HAND DOOR IS SHOWN
- 4) CAUTION: SEX NUTS ARE REQUIRED FOR ATTACHMENT OF COMPONENTS TO UNREINFORCED DOORS AND TO WOOD OR PLASTIC FACE COMPOSITE TYPE FIRE DOORS, UNLESS AN ALTERNATIVE METHOD IS IDENTIFIED IN THE INDIVIDUAL DOOR MANUFACTURER'S LISTINGS
- 5) FOR FRAME WIDTHS 4-1/2" AND LESS, USE OPTIONAL NFHD BRACKET W/O STANDARD SPACER BLOCK
- 6) MINIMUM DOOR WIDTH IS 26"
- 7) OPTIONAL DPK FASTENERS (DPK86) FOR STEEL DOOR & FRAME ONLY.

***IMPORTANT:** CHOOSE APPROPRIATE FIFTH HOLE LOCATION FOR SPACER BLOCK, IN ACCORDANCE WITH FRAME WIDTH. ONE (1) HOLE IN FRAME FOR STANDARD BLOCK. PREPARE HOLE THE SAME AS SOFFIT PLATE HOLES



FOR 1/4-20 MACHINE SCREWS, USE 13/64" OR #7 DRILL & TAP
 FOR No.14 WOOD SCREWS, USE 5/32" DRILL
 FOR DPK FASTENERS, USE 1/8" DRILL
 OPTIONAL TWO (2) HOLES IN FRAME ARE FOR NFHD BRACKET

OPTIONAL NFHD BRACKET



FOR 1/4-20 MACHINE SCREWS, USE 13/64" OR #7 DRILL & TAP
 FOR No.14 WOOD SCREWS, USE 5/32" DRILL
 FOR DPK FASTENERS, USE 1/8" DRILL
 FOR SEX NUTS, USE 3/8" DRILL
 FOUR (4) HOLES IN DOOR ARE FOR DROP PLATE (SHOWN)

ANGLE OF CUSHION	DIM. "A" (DROP PLATE)	DIM. "B" (SOFFIT PLATE)	DIM. "C" (NFHD BRACKET)
83° - 85°	10-1/16" [256]	11-5/8" [295]	12-1/2" [318]
88° - 90°	9-3/16" [233]	10-3/4" [273]	11-5/8" [295]
98° - 100°	7-15/16" [202]	9-1/2" [241]	10-3/8" [264]
108° - 110°	6-15/16" [176]	8-1/2" [216]	9-3/8" [238]

DOOR CLOSER MODELS: 8616 DS
 DOOR SAVER (PARALLEL ARM MOUNT) WITH DROP PLATE DP86
 FOR USE WITH STANDARD SPACER BLOCK
 FOR USE WITH OPTIONAL NFHD BRACKET



DORMA Architectural Hardware
 Reamstown, PA 17567