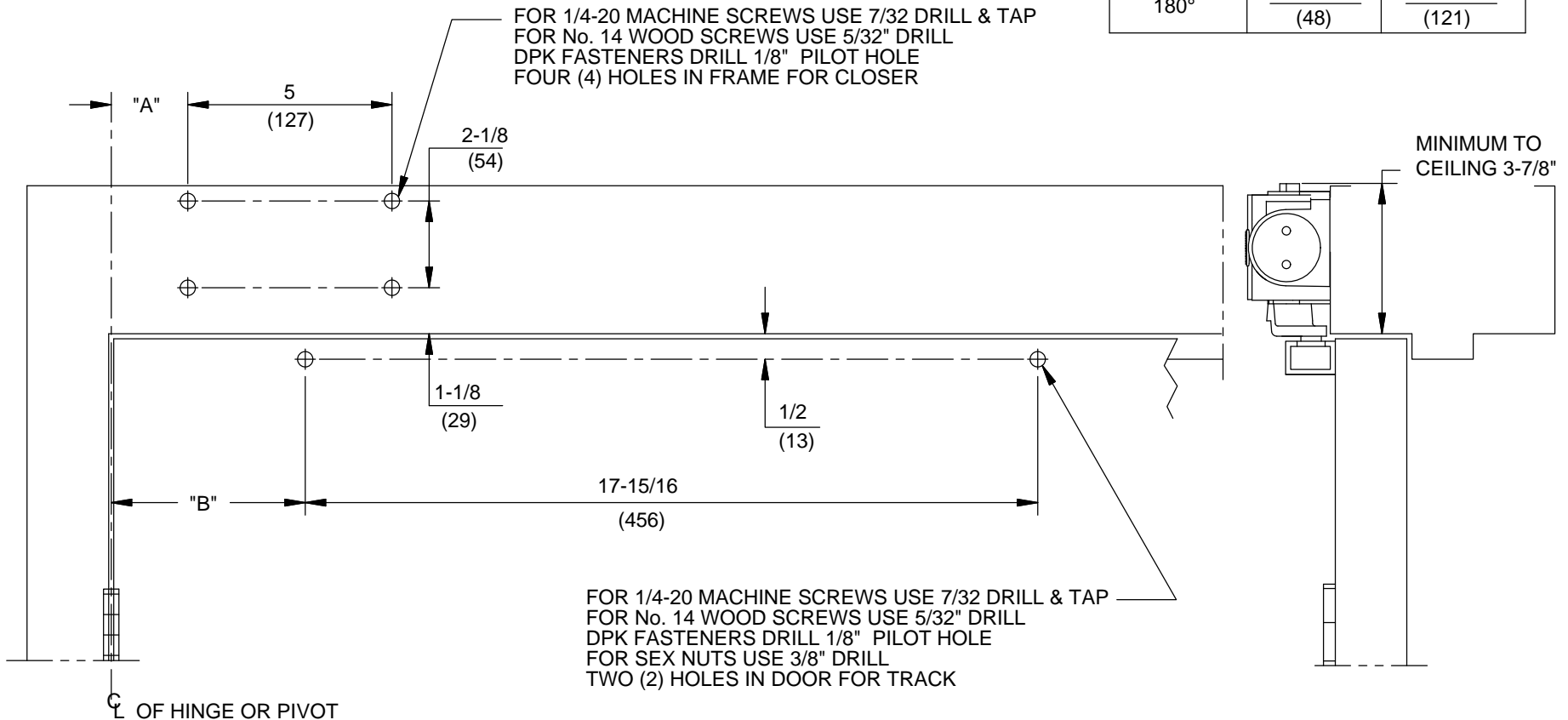


NOTES:

1. DO NOT SCALE DRAWING.
2. RIGHT HAND DOOR SHOWN.
3. DIMENSIONS ARE IN INCHES/(MM).
4. CAUTION: SEX NUTS ARE REQUIRED FOR ATTACHMENT OF COMPONENTS TO UNREINFORCED DOORS AND TO WOOD OR PLASTIC FACED COMPOSITE TYPE FIRE DOORS, UNLESS AN ALTERNATIVE METHOD IS IDENTIFIED IN THE INDIVIDUAL DOOR MANUFACTURER'S LISTINGS.
5. MAXIMUM OPENING 180° WITHOUT STOP BUMPER.
6. SEE CATALOG FOR HOLD OPEN RANGE INFORMATION.
7. OPTIONAL DPK FASTENERS (DPK89) FOR STEEL DOOR & FRAME ONLY.

ANGLE OF OPENING	DIM "A" CLOSER	DIM "B" TRACK
85°	$\frac{3-1/8}{(79)}$	$\frac{10-1/2}{(267)}$
90°	$\frac{3-1/8}{(79)}$	$\frac{9-3/4}{(248)}$
110°	$\frac{3-1/8}{(79)}$	$\frac{7}{(178)}$
180°	$\frac{1-7/8}{(48)}$	$\frac{4-3/4}{(121)}$



DOOR CLOSER MODELS: 8916, 8956 T, TH
 TRACK INSTALLATION (PULL SIDE MOUNT)

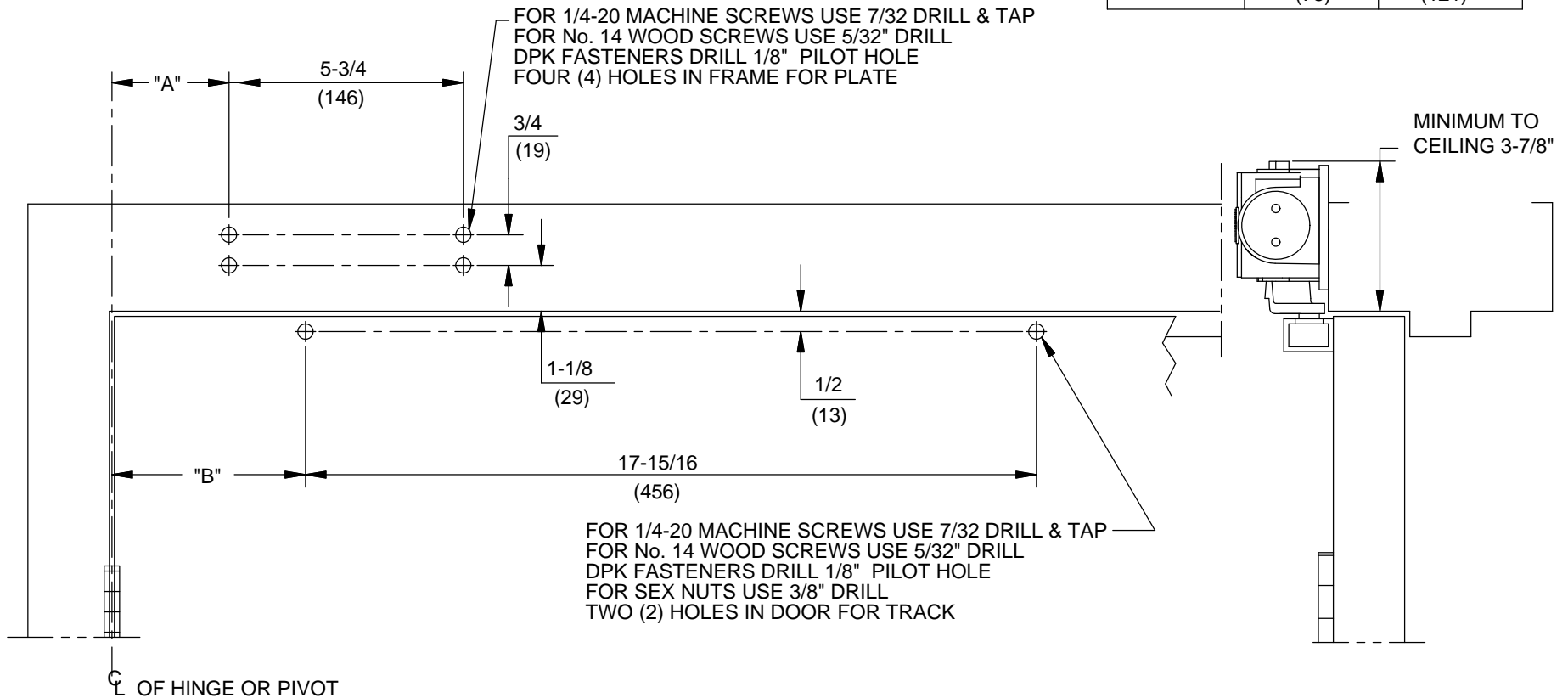


DORMA Architectural Hardware
 Reamstown, PA 17567

NOTES:

1. DO NOT SCALE DRAWING.
2. RIGHT HAND DOOR SHOWN.
3. DIMENSIONS ARE IN INCHES/(MM).
4. CAUTION: SEX NUTS ARE REQUIRED FOR ATTACHMENT OF COMPONENTS TO UNREINFORCED DOORS AND TO WOOD OR PLASTIC FACED COMPOSITE TYPE FIRE DOORS, UNLESS AN ALTERNATIVE METHOD IS IDENTIFIED IN THE INDIVIDUAL DOOR MANUFACTURER'S LISTINGS.
5. MAXIMUM OPENING 180° WITHOUT STOP BUMPER.
6. USE BOTTOM FOUR HOLES IN PLATE TO MOUNT TO FRAME.
7. SEE CATALOG FOR HOLD OPEN RANGE INFORMATION.
8. OPTIONAL DPK FASTENERS (DPK89) FOR STEEL DOOR & FRAME ONLY.

ANGLE OF OPENING	DIM "A" PLATE	DIM "B" TRACK
85°	$\frac{4-1/8}{(105)}$	$\frac{10-1/2}{(267)}$
90°	$\frac{4-1/8}{(105)}$	$\frac{9-3/4}{(248)}$
110°	$\frac{4-1/8}{(105)}$	$\frac{7}{(178)}$
180°	$\frac{2-7/8}{(78)}$	$\frac{4-3/4}{(121)}$



DOOR CLOSER MODELS: 8916, 8956 T, TH
 TRACK INSTALLATION (PULL SIDE MOUNT)
 WITH PLATE BP89



DORMA Architectural Hardware
 Reamstown, PA 17567