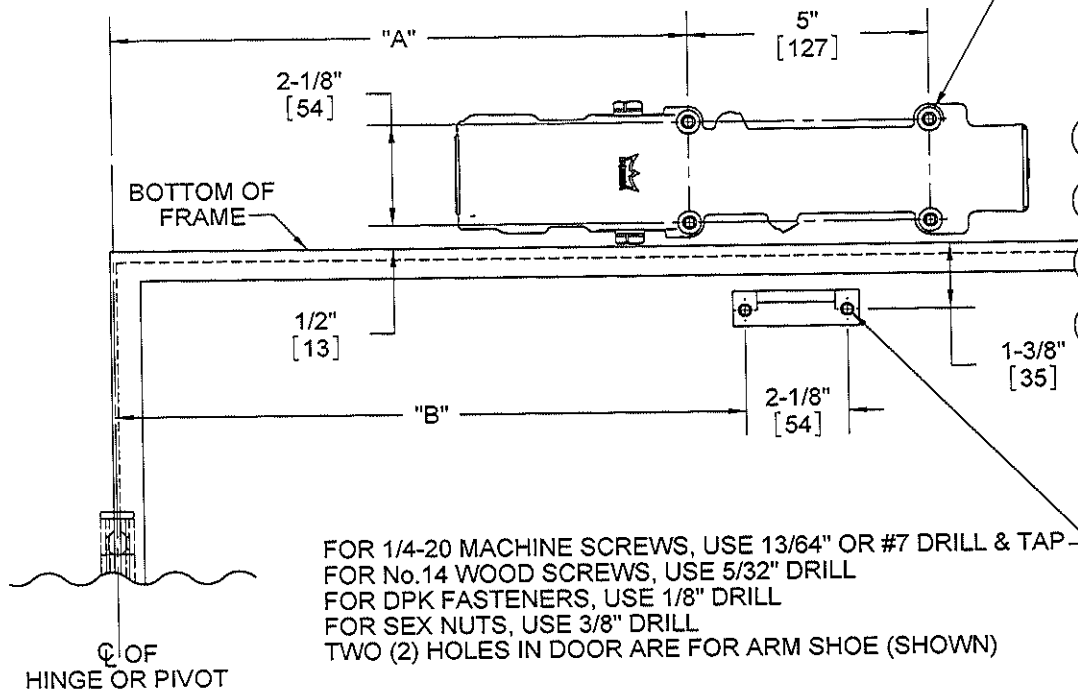


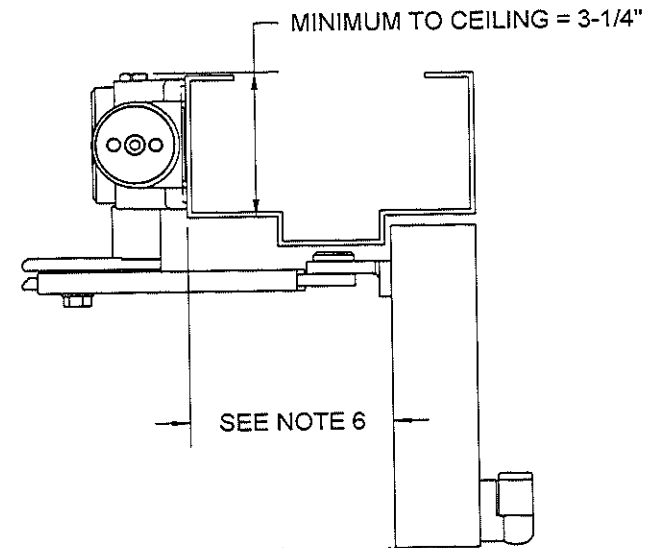
NOTES:

- 1) DO NOT SCALE THIS DRAWING
- 2) DIMENSIONS ARE IN INCHES / [MM]
- 3) LEFT HAND DOOR IS SHOWN
- 4) CAUTION: SEX NUTS ARE REQUIRED FOR ATTACHMENT OF COMPONENTS TO UNREINFORCED DOORS AND TO WOOD OR PLASTIC FACE COMPOSITE TYPE FIRE DOORS, UNLESS AN ALTERNATIVE METHOD IS IDENTIFIED IN THE INDIVIDUAL DOOR MANUFACTURER'S LISTINGS.
- 5) OPTIONAL DPK FASTENERS (DPK89) FOR STEEL DOOR & FRAME ONLY
- 6) SEE CATALOG FOR REVEAL INFORMATION

FOR 1/4-20 MACHINE SCREWS, USE 13/64" OR #7 DRILL & TAP
 FOR No.14 WOOD SCREWS, USE 5/32" DRILL
 FOR DPK FASTENERS, USE 1/8" DRILL
 FOUR (4) HOLES IN FRAME ARE FOR CLOSER (SHOWN)



ANGLE OF HOLD OPEN	ANGLE OF CUSHION	DIMENSION "A" (CLOSER)	DIMENSION "B" (ARM SHOE)
85°	86° - 88°	11" [279]	12-1/8" [308]
90°	91° - 93°	10-3/8" [264]	11-5/8" [295]
95°	96° - 98°	10" [254]	11-1/8" [283]
100°	101° - 103°	9-3/4" [248]	10-3/4" [273]
105°	106° - 108°	9-3/8" [238]	10-3/8" [264]
110°	111° - 113°	9" [229]	10-1/8" [257]



DOOR CLOSER MODELS: 8916 & 8956 ISJH
 REGULAR INSTALLATION (PUSH SIDE MOUNT)
 INTEGRA CUSHION ARM

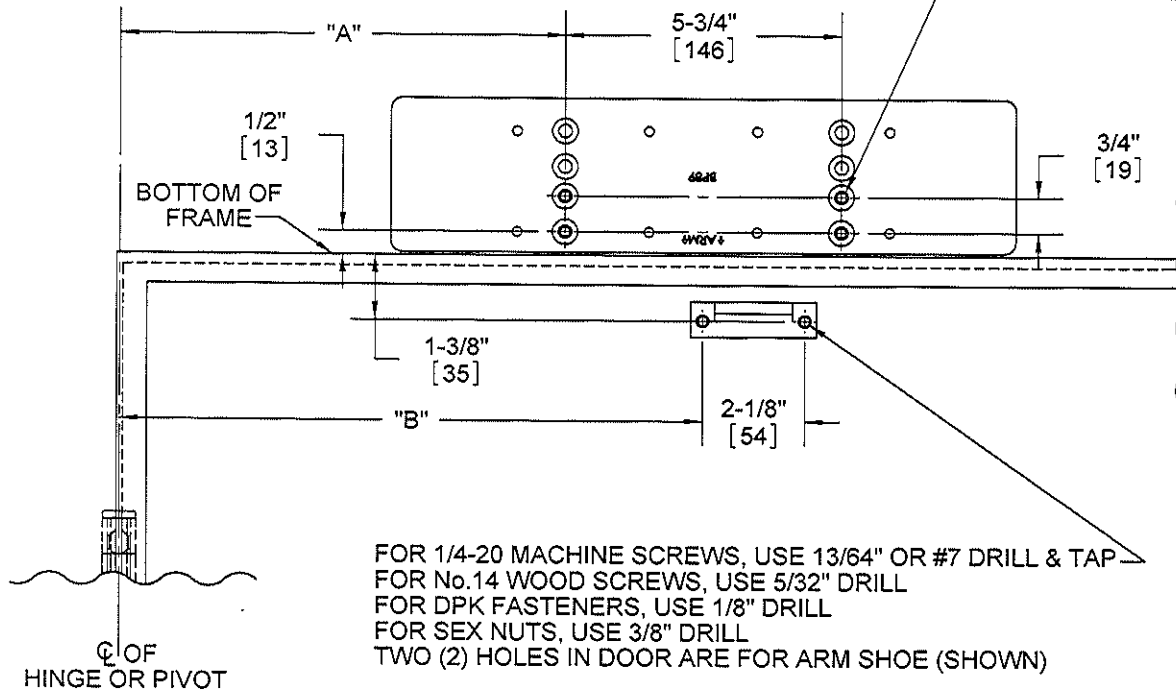


DORMA Architectural Hardware
 Reamstown, PA 17567

NOTES:

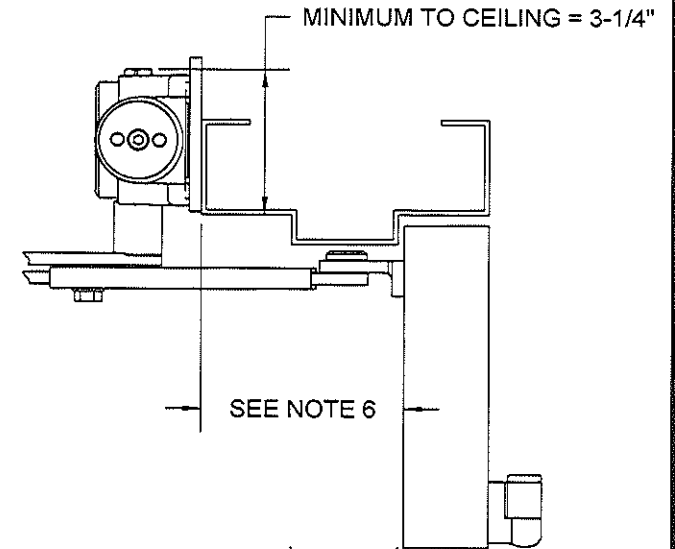
- 1) DO NOT SCALE THIS DRAWING
- 2) DIMENSIONS ARE IN INCHES / [MM]
- 3) LEFT HAND DOOR IS SHOWN
- 4) CAUTION: SEX NUTS ARE REQUIRED FOR ATTACHMENT OF COMPONENTS TO UNREINFORCED DOORS AND TO WOOD OR PLASTIC FACE COMPOSITE TYPE FIRE DOORS, UNLESS AN ALTERNATIVE METHOD IS IDENTIFIED IN THE INDIVIDUAL DOOR MANUFACTURER'S LISTINGS.
- 5) OPTIONAL DPK FASTENERS (DPK89) FOR STEEL DOOR & FRAME ONLY
- 6) SEE CATALOG FOR REVEAL INFORMATION

FOR 1/4-20 MACHINE SCREWS, USE 13/64" OR #7 DRILL & TAP
 FOR No.14 WOOD SCREWS, USE 5/32" DRILL
 FOR DPK FASTENERS, USE 1/8" DRILL
 FOUR (4) HOLES IN FRAME ARE FOR BACK PLATE (SHOWN)



FOR 1/4-20 MACHINE SCREWS, USE 13/64" OR #7 DRILL & TAP
 FOR No.14 WOOD SCREWS, USE 5/32" DRILL
 FOR DPK FASTENERS, USE 1/8" DRILL
 FOR SEX NUTS, USE 3/8" DRILL
 TWO (2) HOLES IN DOOR ARE FOR ARM SHOE (SHOWN)

ANGLE OF HOLD OPEN	ANGLE OF CUSHION	DIMENSION "A" (CLOSER)	DIMENSION "B" (ARM SHOE)
85°	86° - 88°	9-1/4" [235]	12-1/8" [308]
90°	91° - 93°	8-5/8" [219]	11-5/8" [295]
95°	96° - 98°	8-1/4" [210]	11-1/8" [283]
100°	101° - 103°	8" [203]	10-3/4" [273]
105°	106° - 108°	7-5/8" [194]	10-3/8" [264]
110°	111° - 113°	7-1/4" [184]	10-1/8" [257]



DOOR CLOSER MODELS: 8916 & 8956 ISJH
 REGULAR INSTALLATION (PUSH SIDE MOUNT) WITH BACK PLATE BP89
 INTEGRA CUSHION ARM



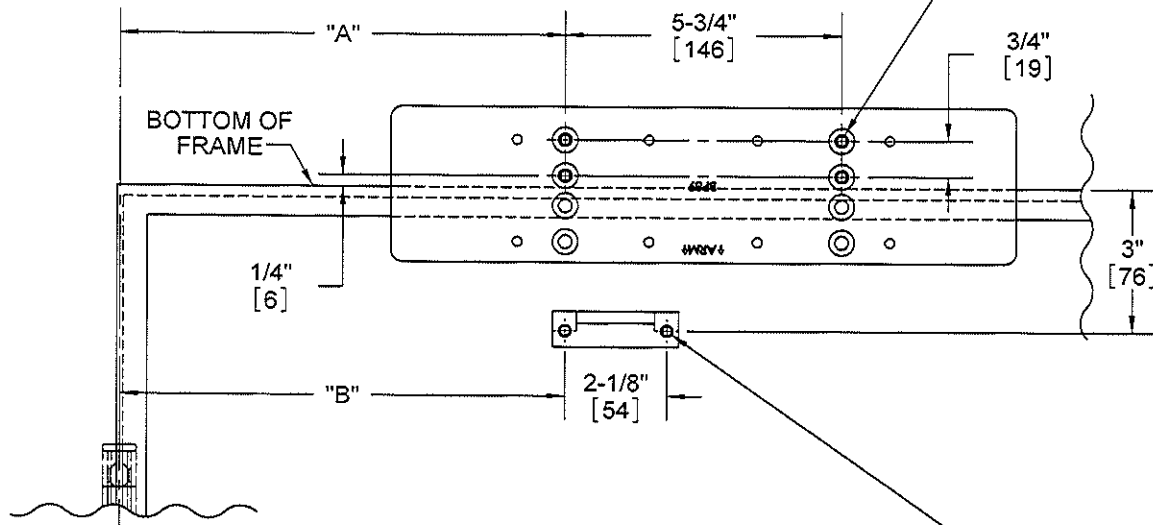
DORMA Architectural Hardware
 Reamstown, PA 17567

NOTES:

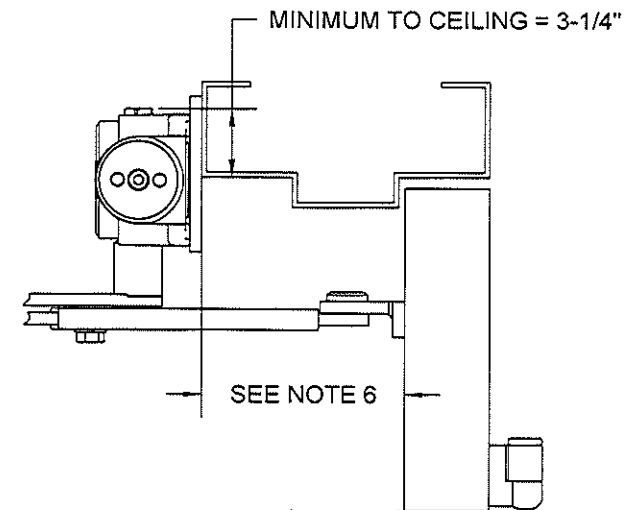
- 1) DO NOT SCALE THIS DRAWING
- 2) DIMENSIONS ARE IN INCHES / [MM]
- 3) LEFT HAND DOOR IS SHOWN
- 4) CAUTION: SEX NUTS ARE REQUIRED FOR ATTACHMENT OF COMPONENTS TO UNREINFORCED DOORS AND TO WOOD OR PLASTIC FACE COMPOSITE TYPE FIRE DOORS, UNLESS AN ALTERNATIVE METHOD IS IDENTIFIED IN THE INDIVIDUAL DOOR MANUFACTURER'S LISTINGS.
- 5) OPTIONAL DPK FASTENERS (DPK89) FOR STEEL DOOR & FRAME ONLY
- 6) SEE CATALOG FOR REVEAL INFORMATION

ANGLE OF HOLD OPEN	ANGLE OF CUSHION	DIMENSION "A" (CLOSER)	DIMENSION "B" (ARM SHOE)
85°	86° - 88°	9-1/4" [235]	12-1/8" [308]
90°	91° - 93°	8-5/8" [219]	11-5/8" [295]
95°	96° - 98°	8-1/4" [210]	11-1/8" [283]
100°	101° - 103°	8" [203]	10-3/4" [273]
105°	106° - 108°	7-5/8" [194]	10-3/8" [264]
110°	111° - 113°	7-1/4" [184]	10-1/8" [257]

FOR 1/4-20 MACHINE SCREWS, USE 13/64" OR #7 DRILL & TAP
 FOR No.14 WOOD SCREWS, USE 5/32" DRILL
 FOR DPK FASTENERS, USE 1/8" DRILL
 FOUR (4) HOLES IN FRAME ARE FOR BACK PLATE (SHOWN)



FOR 1/4-20 MACHINE SCREWS, USE 13/64" OR #7 DRILL & TAP
 FOR No.14 WOOD SCREWS, USE 5/32" DRILL
 FOR DPK FASTENERS, USE 1/8" DRILL
 FOR SEX NUTS, USE 3/8" DRILL
 TWO (2) HOLES IN DOOR ARE FOR ARM SHOE (SHOWN)



DOOR CLOSER MODELS: 8916 & 8956 ISJH
 REGULAR INSTALLATION (PUSH SIDE MOUNT) WITH BACK PLATE BP89
 INTEGRA CUSHION ARM, MOUNTED DROP STYLE



DORMA Architectural Hardware
 Reamstown, PA 17567