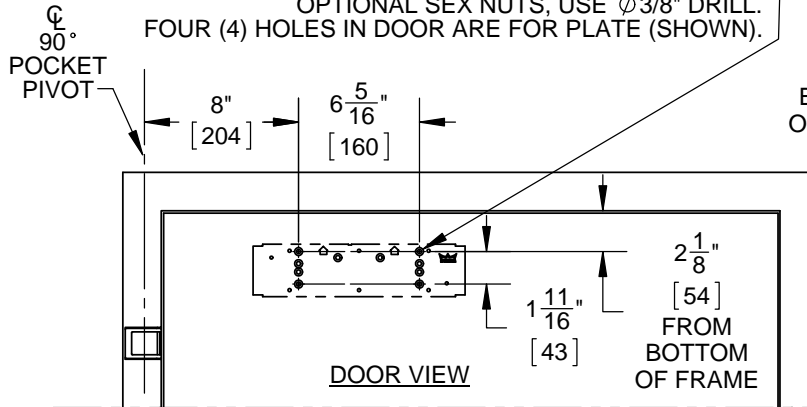


#10-32 MACHINE SCREWS, USE No. 21 (ϕ .159") DRILL AND TAP.
WOOD SCREWS, USE ϕ 1/8" DRILL.
OPTIONAL SEX NUTS, USE ϕ 3/8" DRILL.
FOUR (4) HOLES IN DOOR ARE FOR PLATE (SHOWN).



7 1/16" [11]
FROM
BOTTOM
OF FRAME

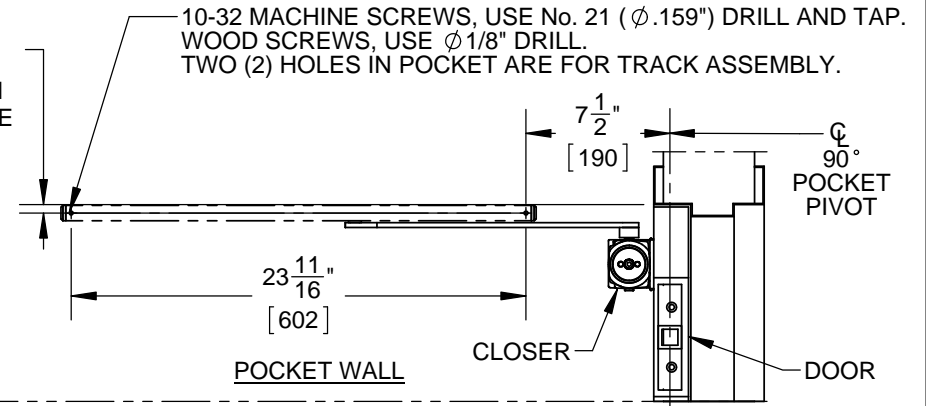
WALL REINFORCEMENT:

The wall reinforcement must be 1/4" thick steel or 3/4" thick wood and secured to a minimum of two wall studs with two screws securing the reinforcement into each stud.

The reinforcement may be flush on wall surface or on the interior of the wall. (FOR INTERIOR REINFORCEMENT, SCREWS MUST PROVIDE A MINIMUM OF 1/2" PENETRATION IN WOOD OR 1/4" MINIMUM PENETRATION INTO STEEL).

For a masonry wall, the reinforcement may be secured to the wall with four screws (ONE IN EACH CORNER) in lead anchors placed in the wall.

IF REINFORCEMENT IS ON THE INTERIOR OF THE WALL, LONGER SCREWS MAY BE REQUIRED FOR PROPER SCREW PENETRATION.



NOTES:

1. DRAWING IS NOT TO SCALE.
2. DIMENSIONS ARE IN INCHES/[MM].
3. RIGHT HAND DOOR IS SHOWN.
4. CAUTION: SEX NUTS RECOMMENDED FOR ATTACHMENT OF COMPONENTS ON UNREINFORCED, COMPOSITE, OR LABELED FIRE DOORS, UNLESS AN ALTERNATIVE METHOD IS IDENTIFIED IN THE INDIVIDUAL DOOR MANUFACTURER'S LISTINGS.
5. TEMPLATE IS FOR 75520 POCKET PIVOT.
6. MAXIMUM DEGREE OF OPENING IS 90°.
7. MINIMUM DOOR WIDTH IS 37".
8. ADJUST CLOSER SPRING TENSION FOR PROPER CLOSING AND LATCHING OF DOOR.
9. ADEQUATE REINFORCEMENT BY OTHERS REQUIRED TO INSTALL TRACK IN POCKET.
10. POCKET DEPTH IS MEASURED FROM PULL SIDE FACE OF DOOR AT 90°.
11. REQUIRES DORMA EM504 ELECTROMAGNETIC DOOR HOLDER.

